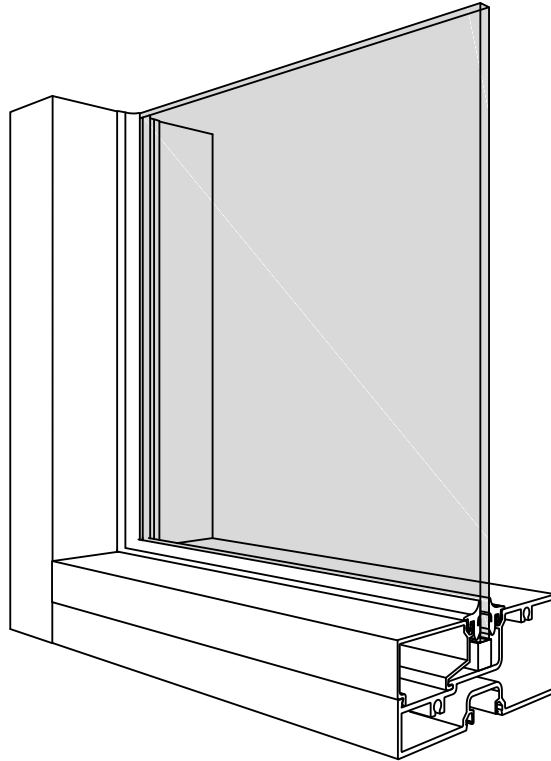


630 SERIES



KEY FEATURES

- Interior flush glaze
- Non-thermally broken
- 1 $\frac{3}{4}$ " x 4 $\frac{1}{2}$ " profile
- Exterior glazed
- 6mm ($\frac{1}{4}$ ") and 10mm ($\frac{3}{8}$ ") glazing thickness
- Compatible with Windspec doors



WINDSPEC INC.

MANUFACTURERS OF HIGH PERFORMANCE 'WINDSPEC' WINDOWS
ALUMINUM ENTRANCE SYSTEMS AND ARCHITECTURAL PANELS
1310 CREDITSTONE RD, CONCORD, ONTARIO L4K 5T7
Telephone (905) 738-8311 Fax (905) 738-6188

FEBRUARY 2017

630 SERIES

TABLE OF CONTENTS

TYPICAL & DOOR DETAILS _____	003
WIND LOAD CHARTS _____	008
PARTS LIST _____	009

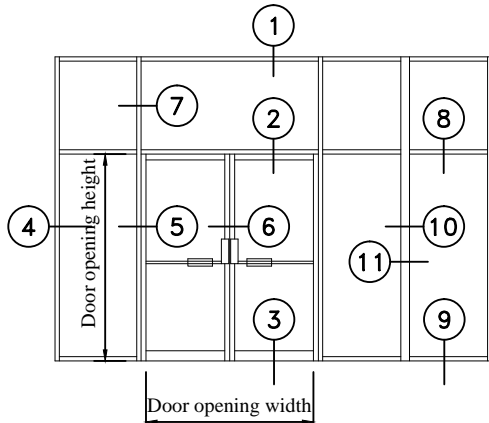


WINDSPEC INC.
MANUFACTURERS OF HIGH PERFORMANCE 'WINDSPEC' WINDOWS
ALUMINUM ENTRANCE SYSTEMS AND ARCHITECTURAL PANELS
1310 CREDITSTONE RD, CONCORD, ONTARIO L4K 5T7
Telephone (905) 738 -8311 Fax (905) 738 - 6188

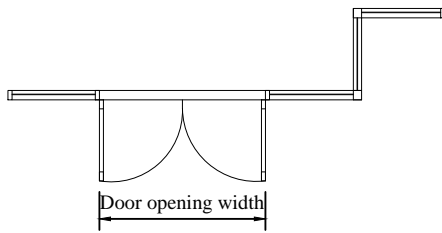
FEBRUARY 2017

630 SERIES

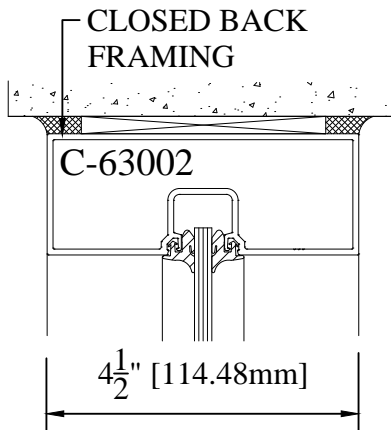
TYPICAL & DOOR DETAILS



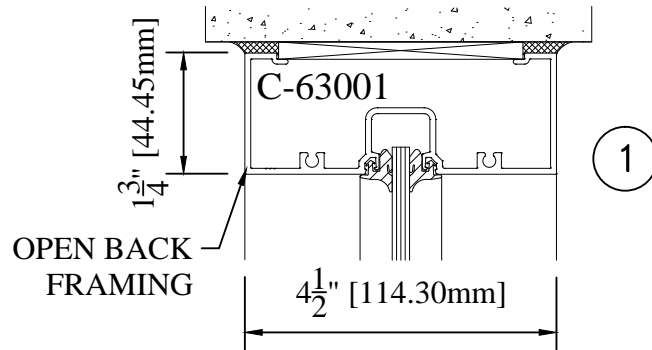
ELEVATION



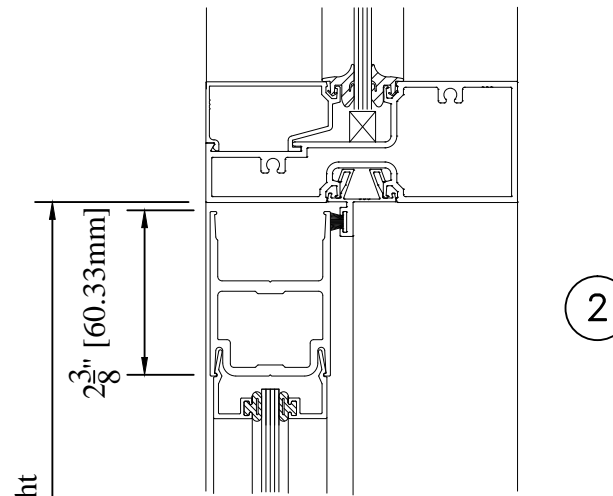
PLAN



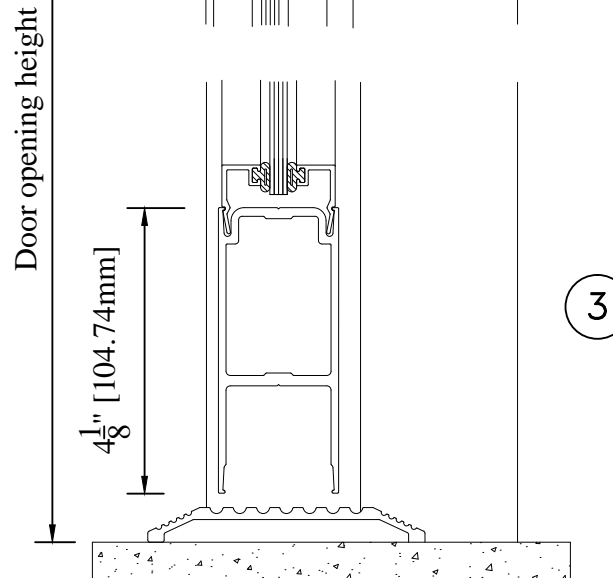
1a



1



2



3

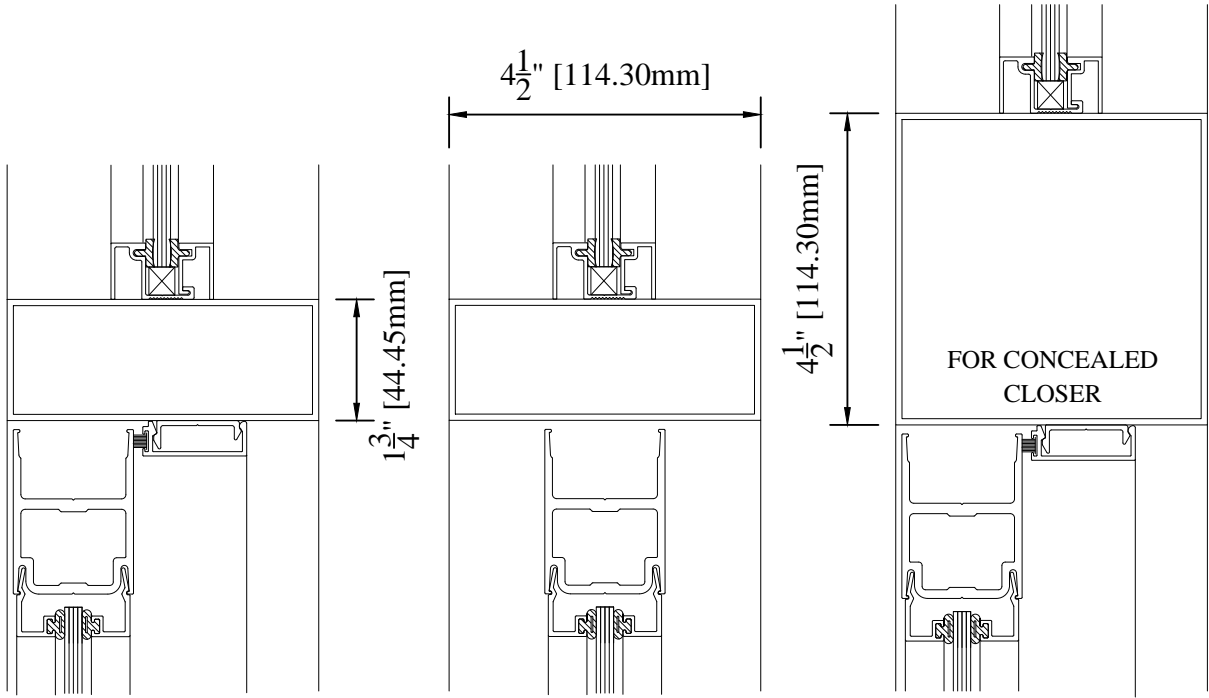


WINDSPEC INC.
 MANUFACTURERS OF HIGH PERFORMANCE 'WINDSPEC' WINDOWS
 ALUMINUM ENTRANCE SYSTEMS AND ARCHITECTURAL PANELS
 1310 CREDITSTONE RD, CONCORD, ONTARIO L4K 5T7
 Telephone (905) 738-8311 Fax (905) 738-6188

FEBRUARY 2017

630 SERIES

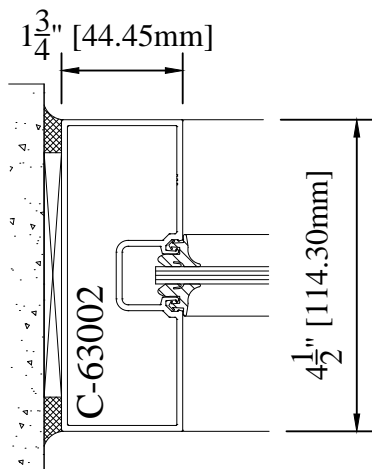
TYPICAL & DOOR DETAILS



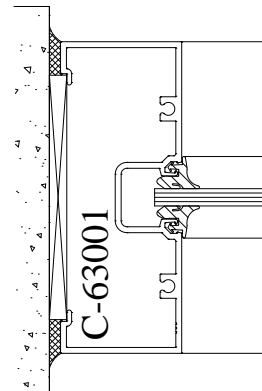
2a

2b

2c



4



4a

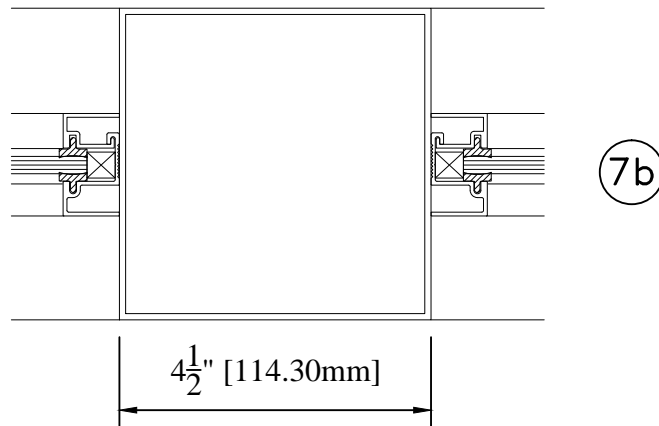
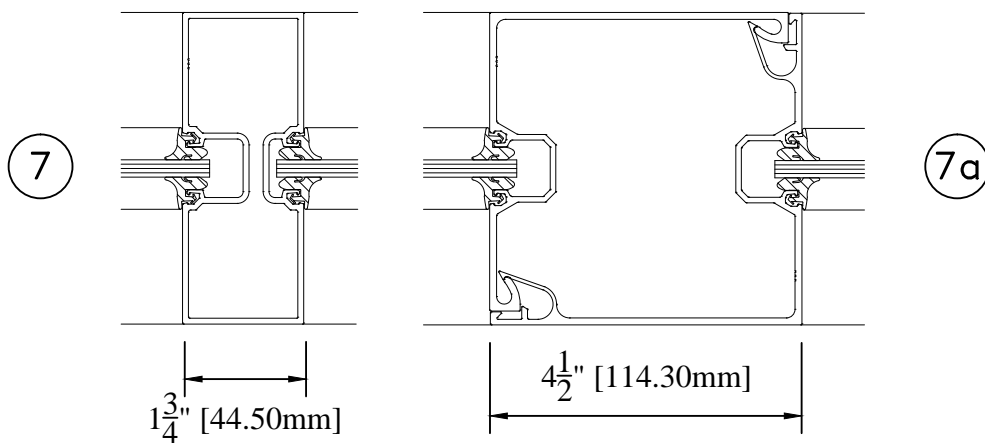
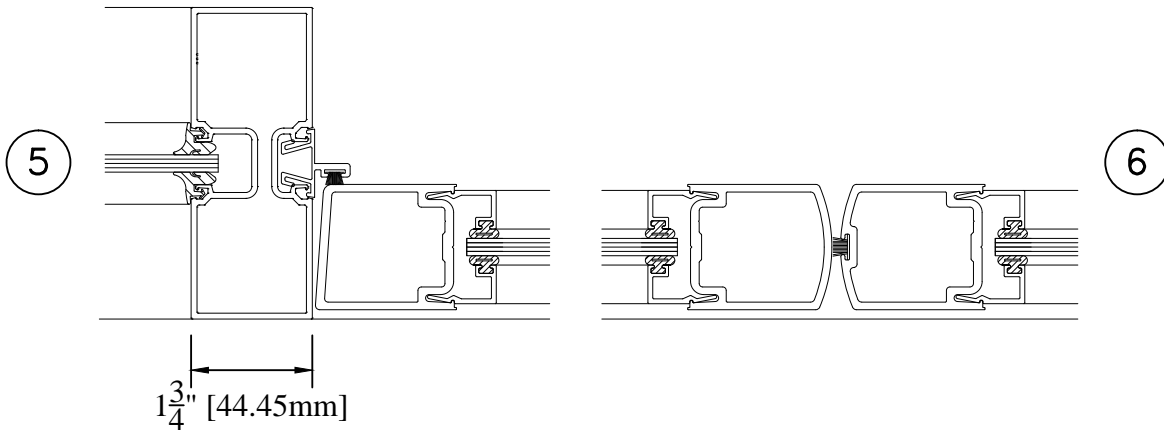


WINDSPEC INC.
 MANUFACTURERS OF HIGH PERFORMANCE 'WINDSPEC' WINDOWS
 ALUMINUM ENTRANCE SYSTEMS AND ARCHITECTURAL PANELS
 1310 CREDITSTONE RD, CONCORD, ONTARIO L4K 5T7
 Telephone (905) 738-8311 Fax (905) 738-6188

FEBRUARY 2017

630 SERIES

TYPICAL & DOOR DETAILS

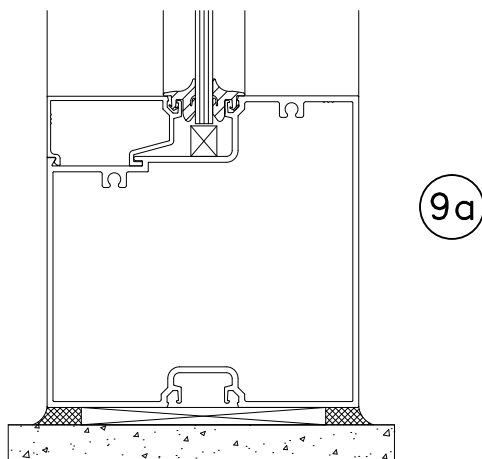
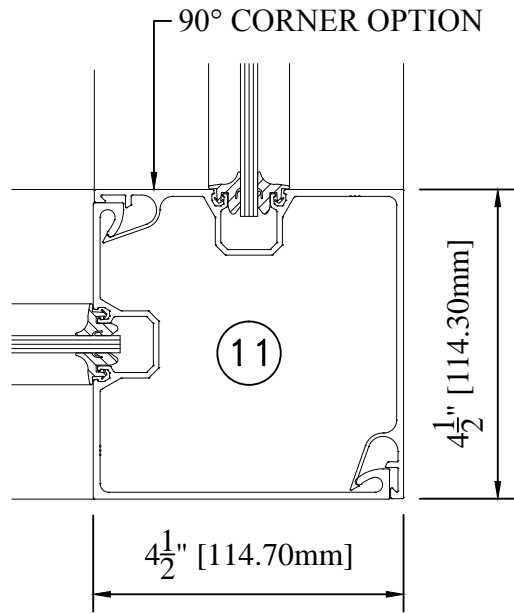
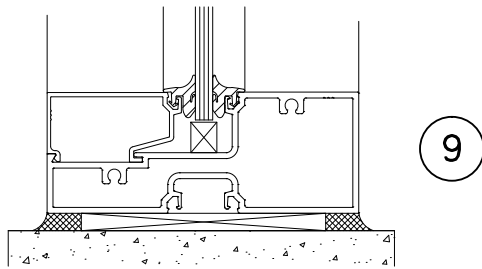
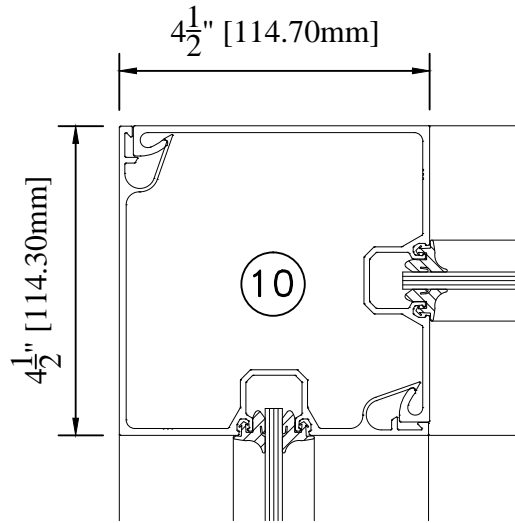
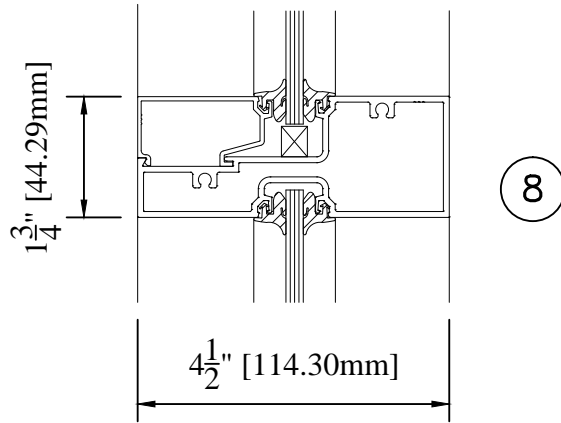


WINDSPEC INC.
MANUFACTURERS OF HIGH PERFORMANCE 'WINDSPEC' WINDOWS
ALUMINUM ENTRANCE SYSTEMS AND ARCHITECTURAL PANELS
1310 CREDITSTONE RD, CONCORD, ONTARIO L4K 5T7
Telephone (905) 738-8311 Fax (905) 738-6188

FEBRUARY 2017

630 SERIES

TYPICAL & DOOR DETAILS



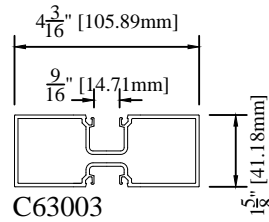
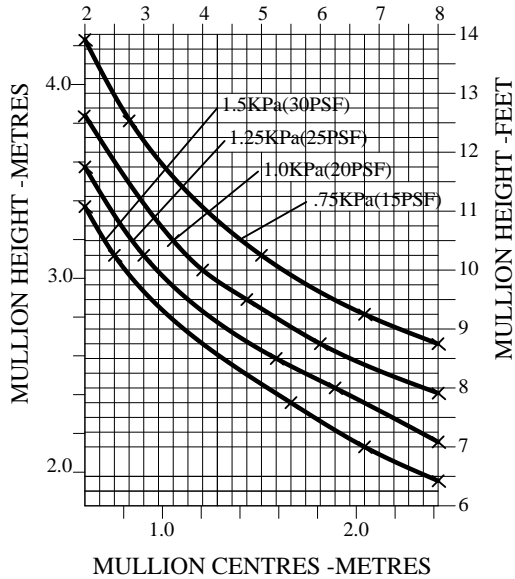
WINDSPEC INC.
MANUFACTURERS OF HIGH PERFORMANCE 'WINDSPEC' WINDOWS
ALUMINUM ENTRANCE SYSTEMS AND ARCHITECTURAL PANELS
1310 CREDITSTONE RD, CONCORD, ONTARIO L4K 5T7
Telephone (905) 738-8311 Fax (905) 738-6188

FEBRUARY 2017

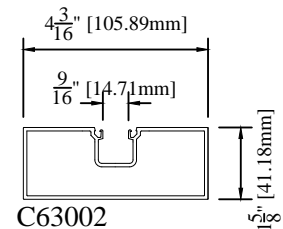
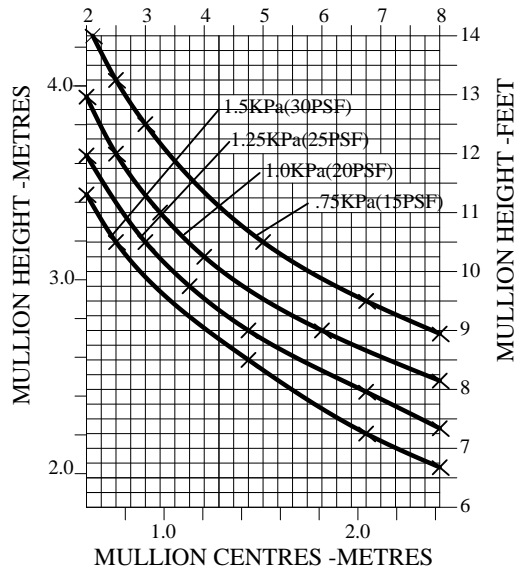
630 SERIES

WIND LOAD CHARTS

MULLION CENTRES - FEET



MULLION CENTRES - FEET

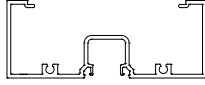
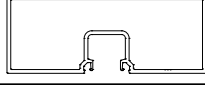
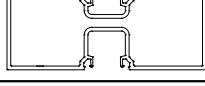
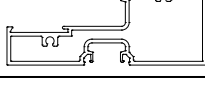
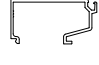
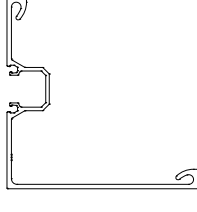
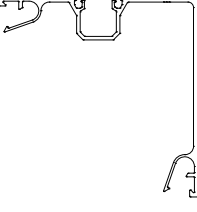
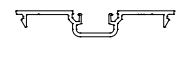
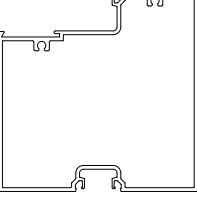


WINDSPEC INC.
MANUFACTURERS OF HIGH PERFORMANCE 'WINDSPEC' WINDOWS
ALUMINUM ENTRANCE SYSTEMS AND ARCHITECTURAL PANELS
1310 CREDITSTONE RD, CONCORD, ONTARIO L4K 5T7
Telephone (905) 738-8311 Fax (905) 738-6188

FEBRUARY 2017

630 SERIES

PARTS LIST

Part Number	Description	Profile
C-63001	1 $\frac{3}{4}$ " x 4 $\frac{1}{2}$ " Open Back Frame	
C-63002	1 $\frac{3}{4}$ " x 4 $\frac{1}{2}$ " Closed Back Frame	
C-63003	1 $\frac{3}{4}$ " x 4 $\frac{1}{2}$ " Double Pocket Mullion	
C63004	1 $\frac{3}{4}$ " x 4 $\frac{1}{2}$ " Horizontal Sill	
C-63005	Square Snap-in Glass Stop	
C-63006	Female Half Corner Mullion	
C-63007	Male Half Corner Mullion	
C-63008	Cover Plate for Open Back Frame	
C-63012	S630 4 $\frac{1}{2}$ " Sill	




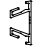

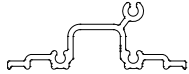




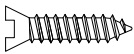
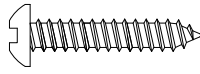


WINDSPEC INC.
 MANUFACTURERS OF HIGH PERFORMANCE 'WINDSPEC' WINDOWS
 ALUMINUM ENTRANCE SYSTEMS AND ARCHITECTURAL PANELS
 1310 CREDITSTONE RD, CONCORD, ONTARIO L4K 5T7
 Telephone (905) 738 -8311 Fax (905) 738 - 6188

FEBRUARY 2017

630 SERIES

PARTS LIST

Part Number	Description	Profile
C-40015	Saddle Stop (Front) for $\frac{1}{4}$ " & 1" Units	
C-40016	Saddle Stop Base for Single Glass ($\frac{1}{4}$ "	
C-63009	Blade Door Stop	
C-63010	Flush Surface Pocket Filler	
H-63001/ C-63033	Sill Shear Block	
H-63002/ C-63032	Mullion Shear Block	
R-65002-R	Glazing Spline for $\frac{1}{4}$ " Glass	
R-65004	Glazing Spline for $\frac{3}{8}$ " Glass	
R-60187	Weatherstrip	
H-63004	#10 x $\frac{1}{2}$ " Fabrication Screw Steel	
H-63005	#10 x $\frac{1}{2}$ " Sabrication Screw S.S.	
H-63006	#12 x 2" Assembly Screw Steel	



WINDSPEC INC.

MANUFACTURERS OF HIGH PERFORMANCE 'WINDSPEC' WINDOWS
ALUMINUM ENTRANCE SYSTEMS AND ARCHITECTURAL PANELS
1310 CREDITSTONE RD, CONCORD, ONTARIO L4K 5T7
Telephone (905) 738 -8311 Fax (905) 738 - 6188

FEBRUARY 2017