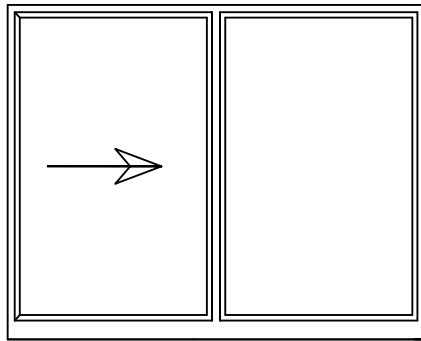
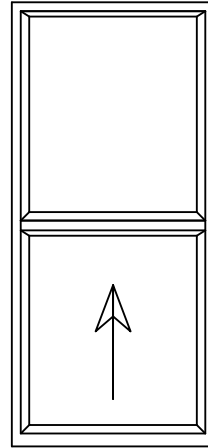


# 720/740 SERIES



720 SERIES



740 SERIES

## KEY FEATURES

- Thermally broken aluminum horizontal and vertical sliding window consisting of one operating sash
- Poured-in-place polyurethane thermal break
- Sash operable using two ball bearing rollers per sash panel for smooth quiet operation
- Sill weep system allows for drainage
- Glazed with 1" sealed units



**WINDSPEC** INC.  
MANUFACTURERS OF HIGH PERFORMANCE 'WINDSPEC' WINDOWS  
ALUMINUM ENTRANCE SYSTEMS AND ARCHITECTURAL PANELS  
1310 CREDITSTONE RD, CONCORD, ONTARIO L4K 5T7  
Telephone (905) 738 -8311 Fax (905) 738 - 6188

FEBRUARY 2017

# 720/740 SERIES

## TABLE OF CONTENTS

|                                     |     |
|-------------------------------------|-----|
| 720 SIDE SLIDER _____               | 003 |
| 720 SIDE SLIDER OVER PANEL _____    | 005 |
| 740 SINGLE HUNG _____               | 006 |
| 740 SINGLE HUNG WITH SIDELITE _____ | 007 |



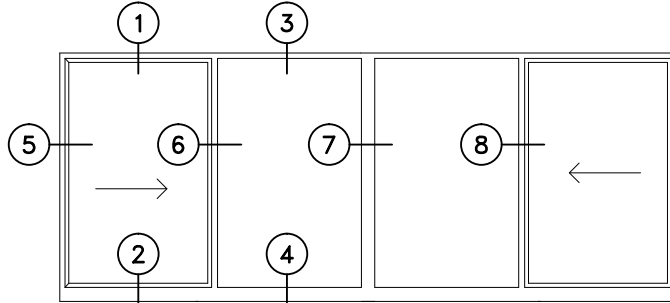
**WINDSPEC** INC.

MANUFACTURERS OF HIGH PERFORMANCE 'WINDSPEC' WINDOWS  
ALUMINUM ENTRANCE SYSTEMS AND ARCHITECTURAL PANELS  
1310 CREDITSTONE RD, CONCORD, ONTARIO L4K 5T7  
Telephone (905) 738 -8311 Fax (905) 738 - 6188

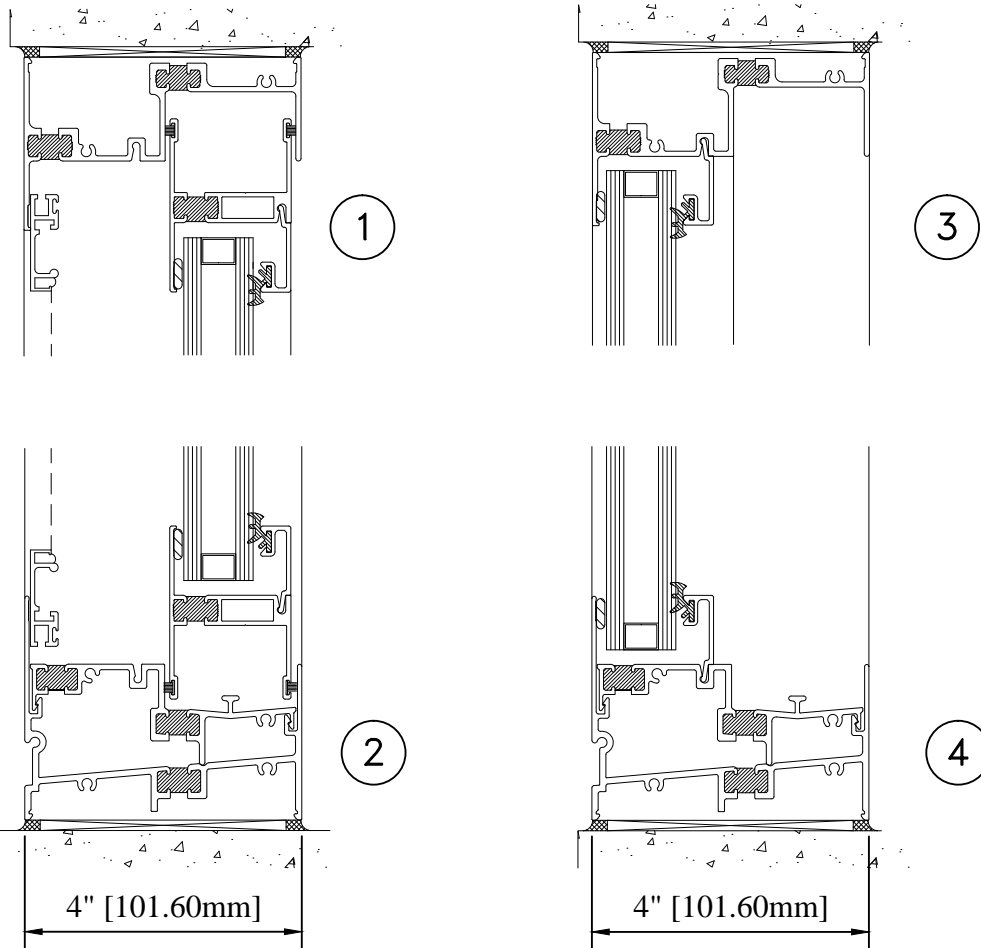
FEBRUARY 2017

# 720/740 SERIES

## 720 SIDE SLIDER



SERIES 720 SEALED UNITS WINDOW ELEVATION

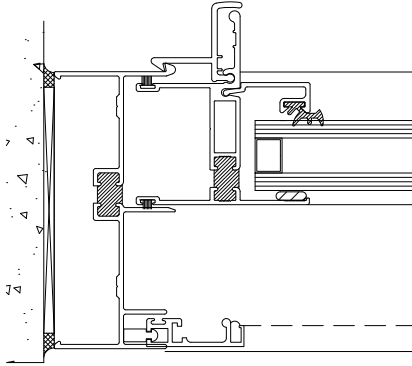


**WINDSPEC** INC.  
MANUFACTURERS OF HIGH PERFORMANCE 'WINDSPEC' WINDOWS  
ALUMINUM ENTRANCE SYSTEMS AND ARCHITECTURAL PANELS  
1310 CREDITSTONE RD, CONCORD, ONTARIO L4K 5T7  
Telephone (905) 738-8311 Fax (905) 738-6188

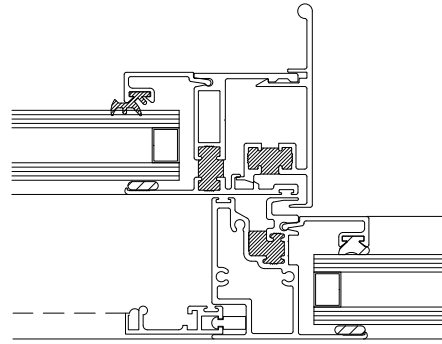
FEBRUARY 2017

# 720/740 SERIES

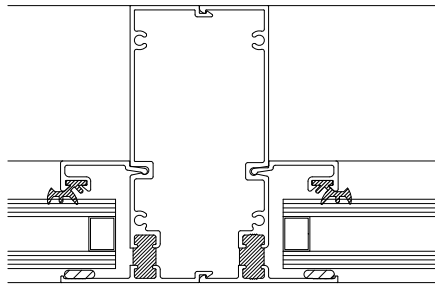
## 720 SIDE SLIDER



5

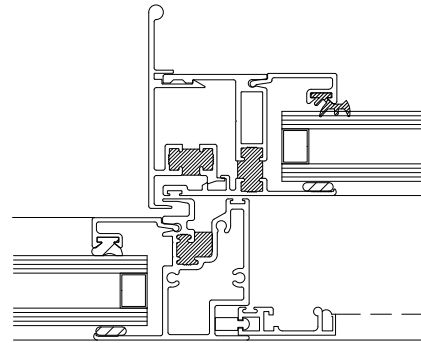


6



4" [101.60mm]

7



8

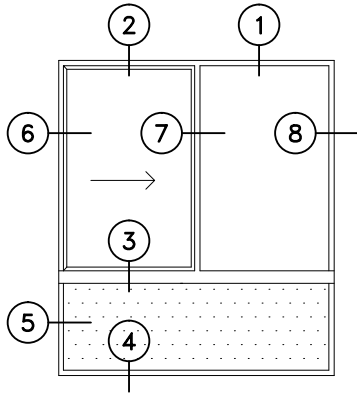


**WINDSPEC** INC.  
MANUFACTURERS OF HIGH PERFORMANCE 'WINDSPEC' WINDOWS  
ALUMINUM ENTRANCE SYSTEMS AND ARCHITECTURAL PANELS  
1310 CREDITSTONE RD, CONCORD, ONTARIO L4K 5T7  
Telephone (905) 738-8311 Fax (905) 738-6188

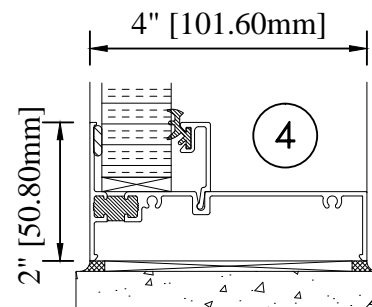
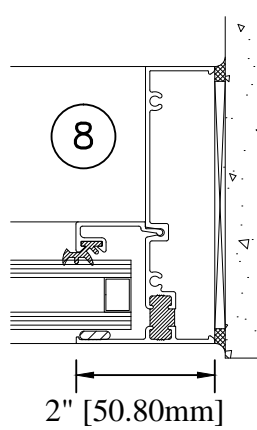
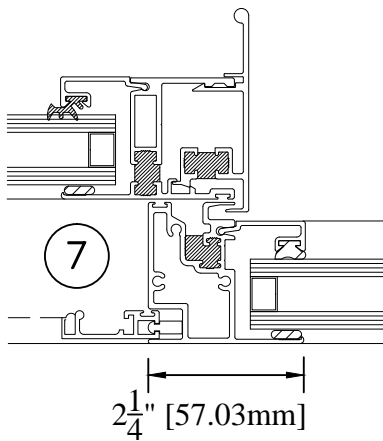
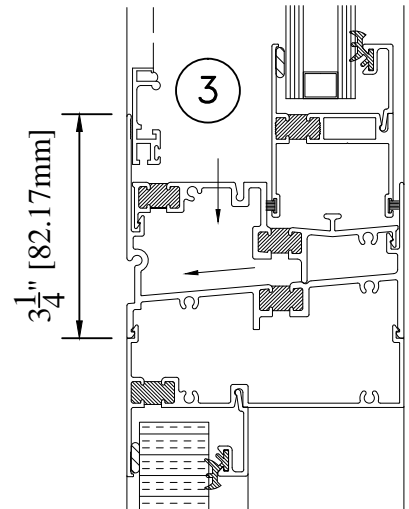
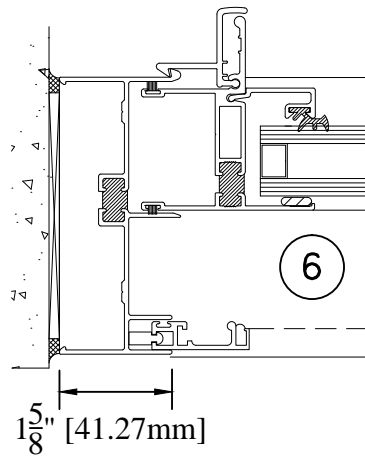
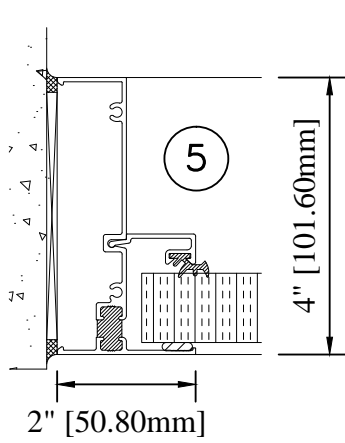
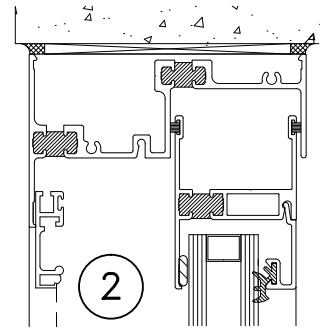
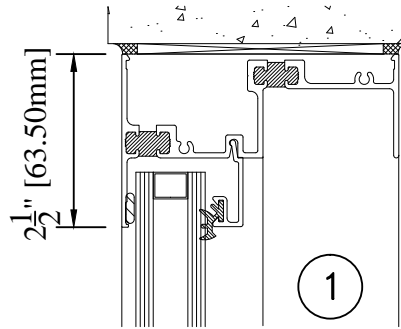
FEBRUARY 2017

# 720/740 SERIES

## 720 SIDE SLIDER OVER PANEL



TYPICAL WINDOW ELEVATION

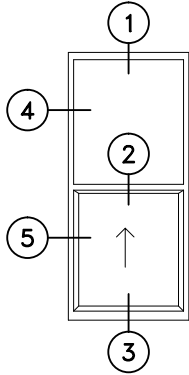


**WINDSPEC** INC.  
 MANUFACTURERS OF HIGH PERFORMANCE 'WINDSPEC' WINDOWS  
 ALUMINUM ENTRANCE SYSTEMS AND ARCHITECTURAL PANELS  
 1310 CREDITSTONE RD, CONCORD, ONTARIO L4K 5T7  
 Telephone (905) 738-8311 Fax (905) 738-6188

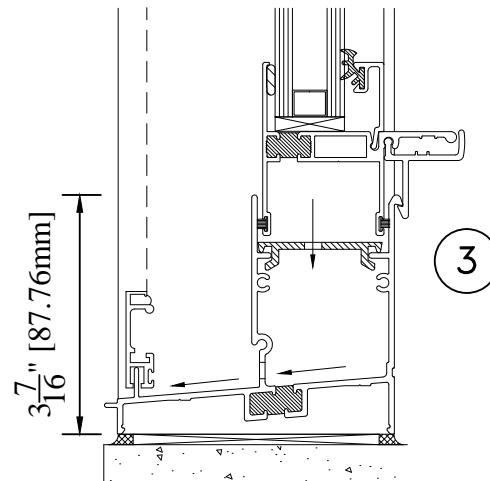
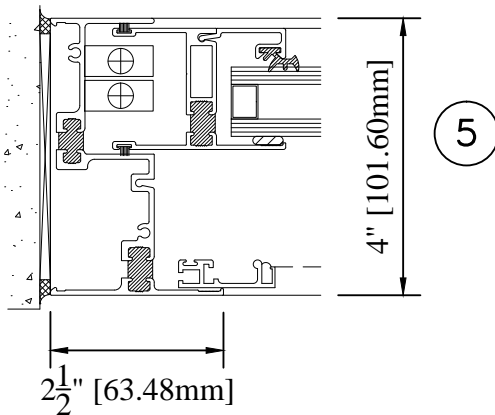
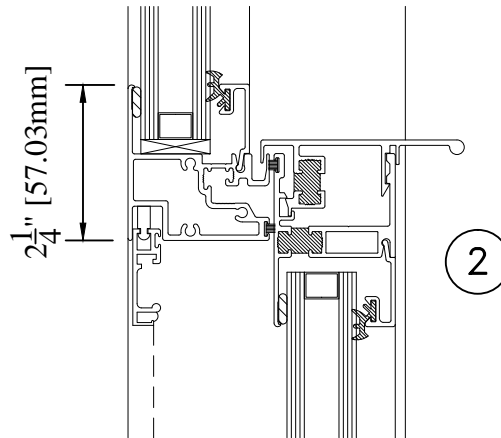
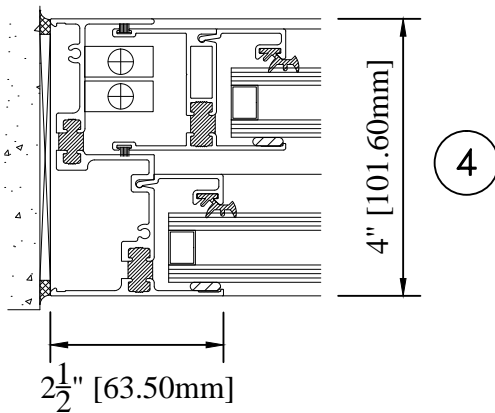
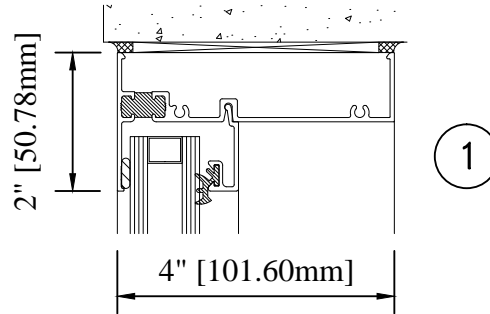
FEBRUARY 2017

# 720/740 SERIES

## 740 SINGLE HUNG



SERIES 740 SEALED UNITS  
WINDOW ELEVATION

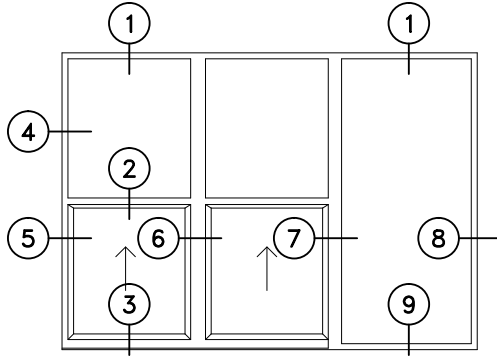


**WINDSPEC** INC.  
 MANUFACTURERS OF HIGH PERFORMANCE 'WINDSPEC' WINDOWS  
 ALUMINUM ENTRANCE SYSTEMS AND ARCHITECTURAL PANELS  
 1310 CREDITSTONE RD, CONCORD, ONTARIO L4K 5T7  
 Telephone (905) 738-8311 Fax (905) 738-6188

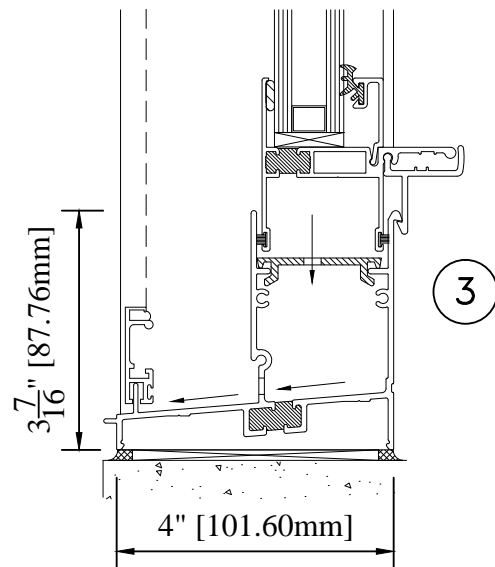
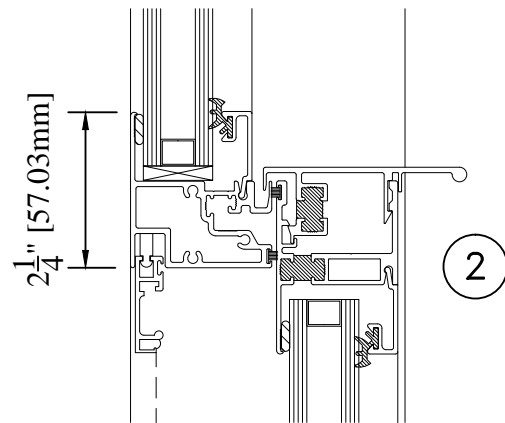
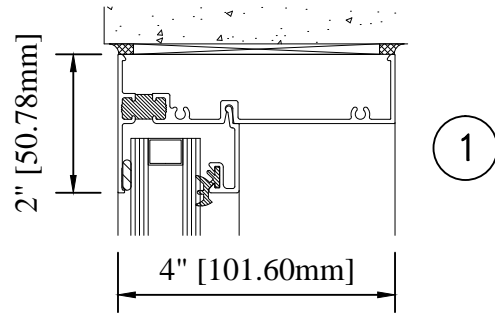
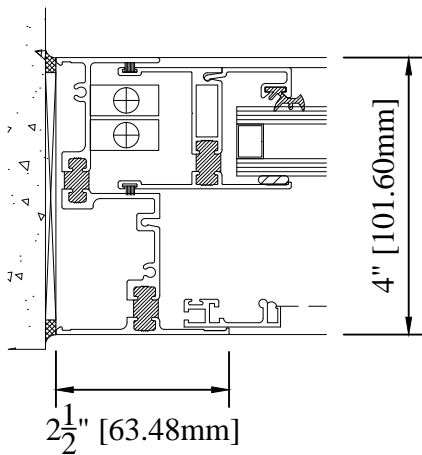
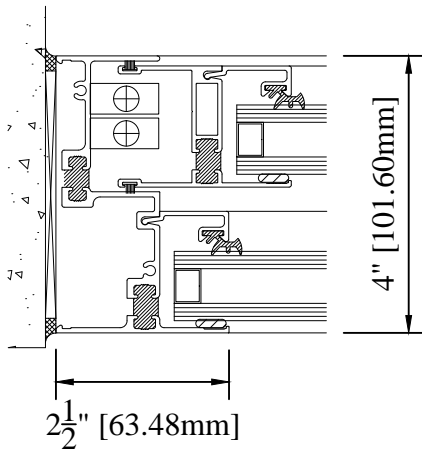
FEBRUARY 2017

# 720/740 SERIES

## 740 SINGLE HUNG WITH SIDELITE



SERIES 740 SEALED UNITS  
WINDOW ELEVATION WITH SIDELITE

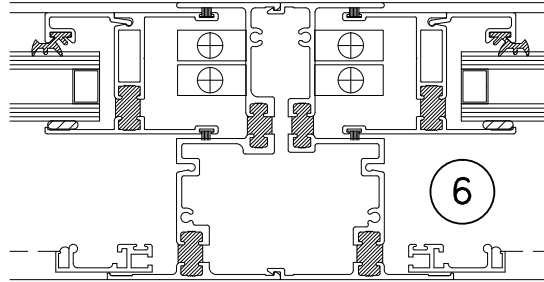


**WINDSPEC** INC.  
MANUFACTURERS OF HIGH PERFORMANCE 'WINDSPEC' WINDOWS  
ALUMINUM ENTRANCE SYSTEMS AND ARCHITECTURAL PANELS  
1310 CREDITSTONE RD, CONCORD, ONTARIO L4K 5T7  
Telephone (905) 738-8311 Fax (905) 738-6188

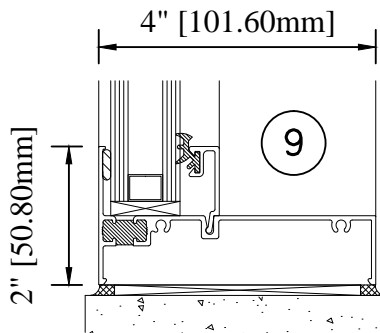
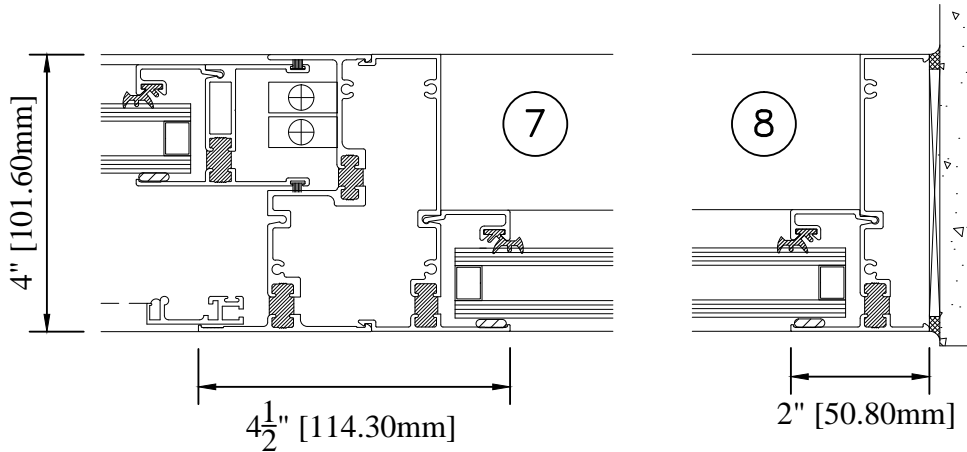
FEBRUARY 2017

# 720/740 SERIES

## 740 SINGLE HUNG WITH SIDELITE



$2\frac{1}{2}$ " [63.48mm]  $2\frac{1}{2}$ " [63.48mm]



**WINDSPEC** INC.  
MANUFACTURERS OF HIGH PERFORMANCE 'WINDSPEC' WINDOWS  
ALUMINUM ENTRANCE SYSTEMS AND ARCHITECTURAL PANELS  
1310 CREDITSTONE RD, CONCORD, ONTARIO L4K 5T7  
Telephone (905) 738-8311 Fax (905) 738-6188

FEBRUARY 2017