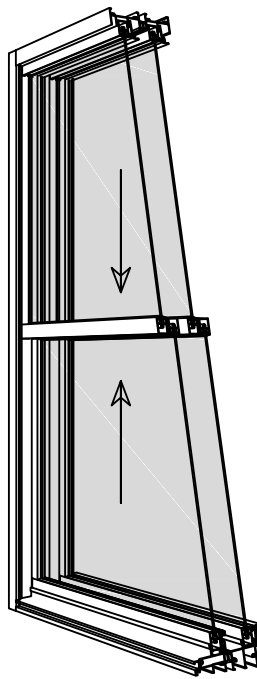


# 420 DOUBLE HUNG & 220 FIXED



## KEY FEATURES

- 5/8" deep
- Thermally broken
- 4 panel vertical slider
- Integrated drainage
- Center-mount or exterior-mount screens
- Half slider available upon request

## PERFORMANCE

- A440: A3,C5,B7
- U-VALUE - AS LOW AS 0.44
- I-58.2



**WINDSPEC** INC.

MANUFACTURERS OF HIGH PERFORMANCE 'WINDSPEC' WINDOWS  
ALUMINUM ENTRANCE SYSTEMS AND ARCHITECTURAL PANELS  
1310 CREDITSTONE RD, CONCORD, ONTARIO L4K 5T7  
Telephone (905) 738-8311 Fax (905) 738-6188

JANUARY 2016

# 420 DOUBLE HUNG & 220 FIXED

## TABLE OF CONTENTS

DOUBLE HUNG TYPICAL DETAILS _____	003
HALF SLIDER DETAILS (MODIFIED) _____	007
220 FIXED WINDOW TYPICAL DETAILS _____	008

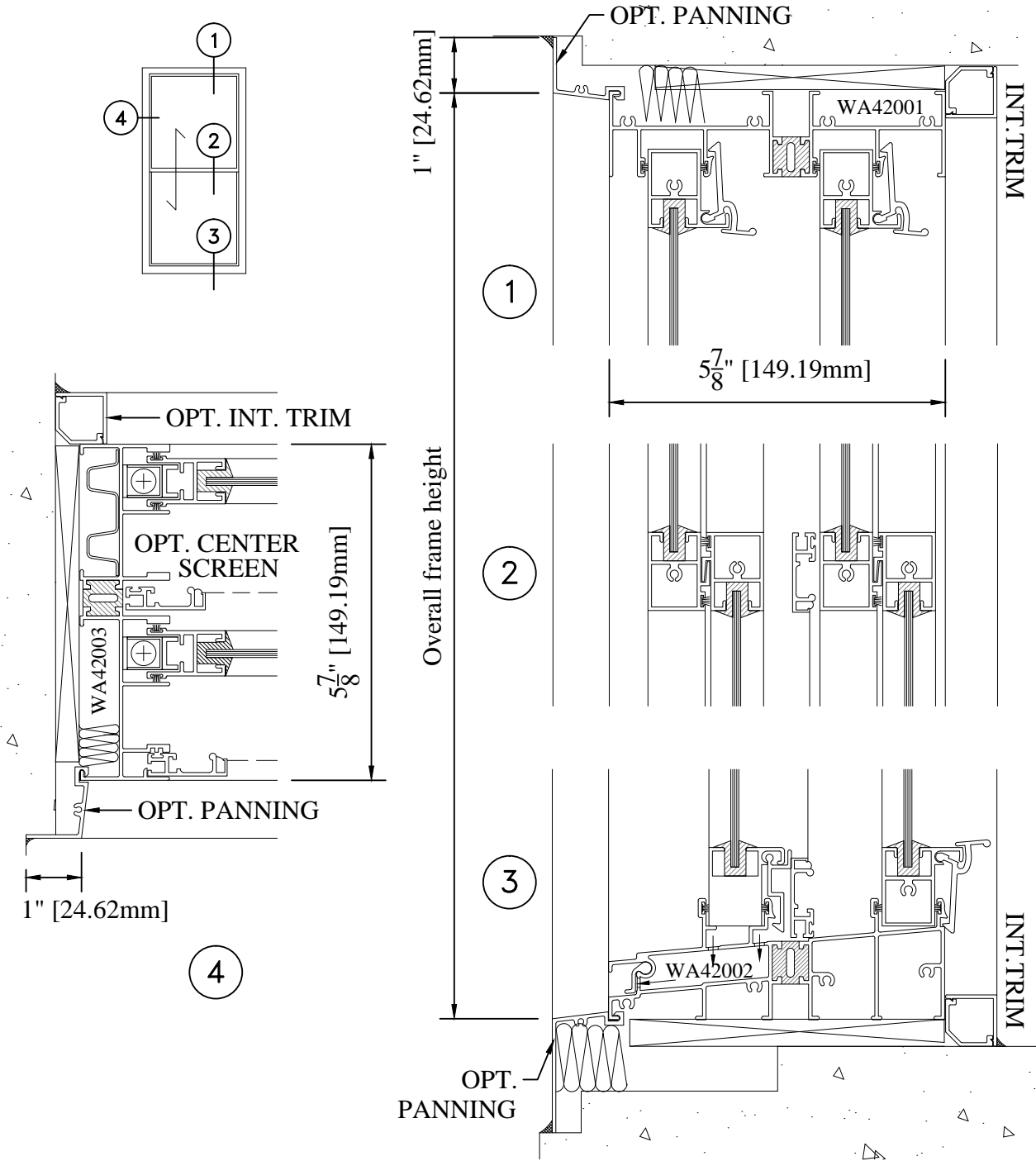


**WINDSPEC** INC.  
MANUFACTURERS OF HIGH PERFORMANCE 'WINDSPEC' WINDOWS  
ALUMINUM ENTRANCE SYSTEMS AND ARCHITECTURAL PANELS  
1310 CREDITSTONE RD, CONCORD, ONTARIO L4K 5T7  
Telephone (905) 738 -8311 Fax (905) 738 - 6188

JANUARY 2016

# 420 DOUBLE HUNG & 220 FIXED

## DOUBLE HUNG TYPICAL DETAILS

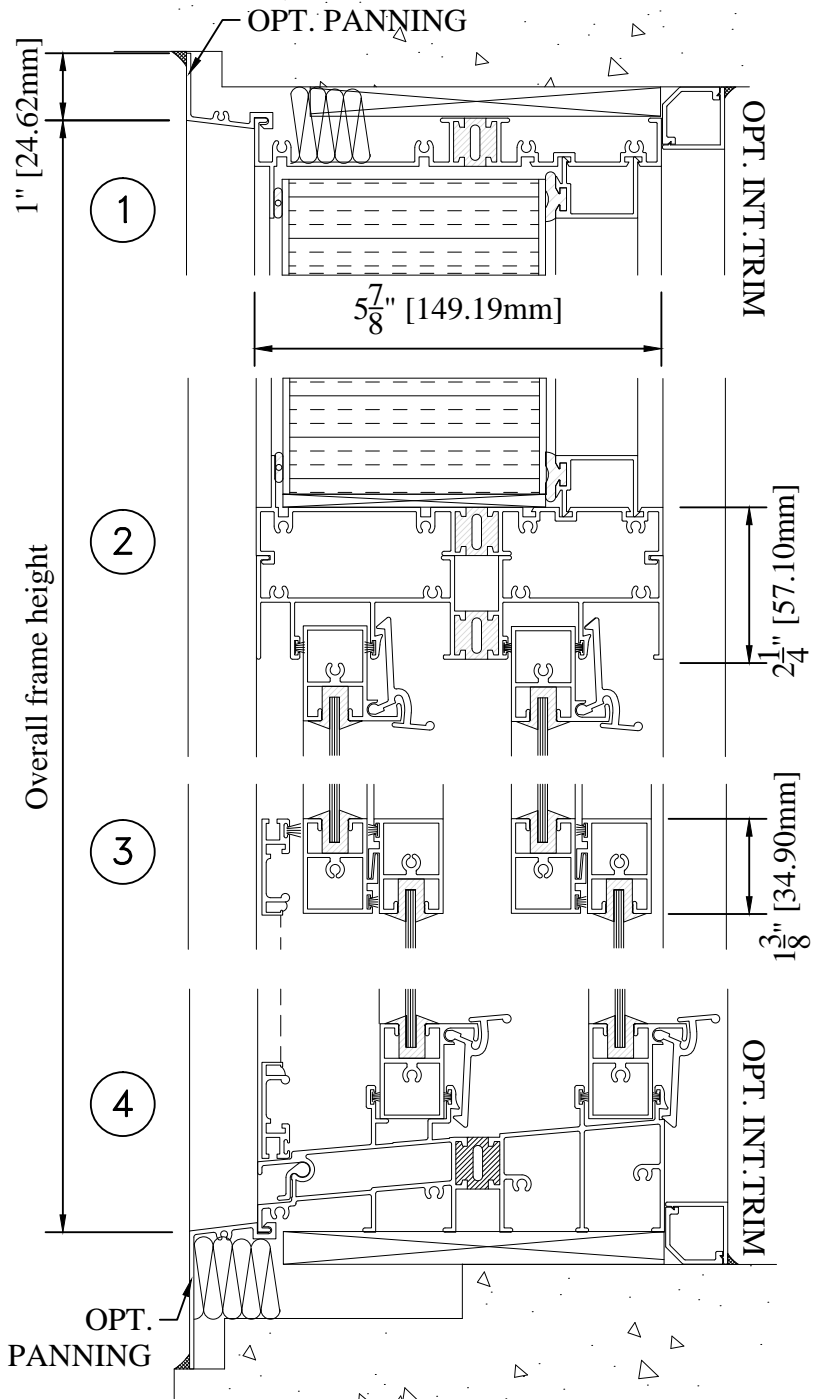
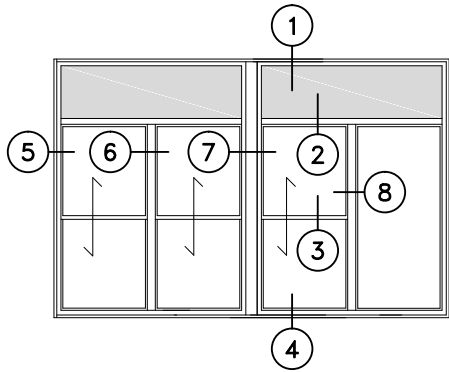


**WINDSPEC** INC.  
 MANUFACTURERS OF HIGH PERFORMANCE 'WINDSPEC' WINDOWS  
 ALUMINUM ENTRANCE SYSTEMS AND ARCHITECTURAL PANELS  
 1310 CREDITSTONE RD, CONCORD, ONTARIO L4K 5T7  
 Telephone (905) 738-8311 Fax (905) 738-6188

JANUARY 2016

# 420 DOUBLE HUNG & 220 FIXED

## DOUBLE HUNG TYPICAL DETAILS

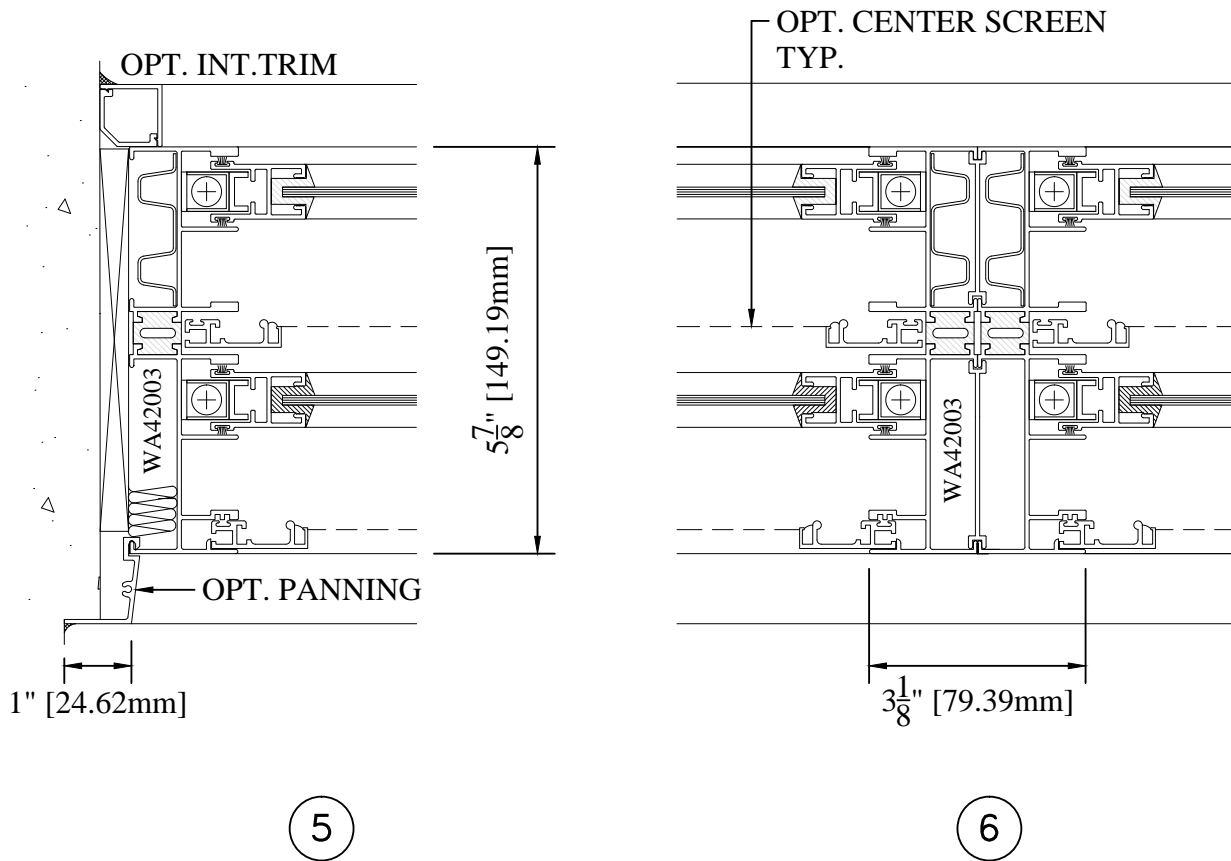


**WINDSPEC** INC.  
 MANUFACTURERS OF HIGH PERFORMANCE 'WINDSPEC' WINDOWS  
 ALUMINUM ENTRANCE SYSTEMS AND ARCHITECTURAL PANELS  
 1310 CREDITSTONE RD, CONCORD, ONTARIO L4K 5T7  
 Telephone (905) 738-8311 Fax (905) 738-6188

JANUARY 2016

# 420 DOUBLE HUNG & 220 FIXED

## DOUBLE HUNG TYPICAL DETAILS

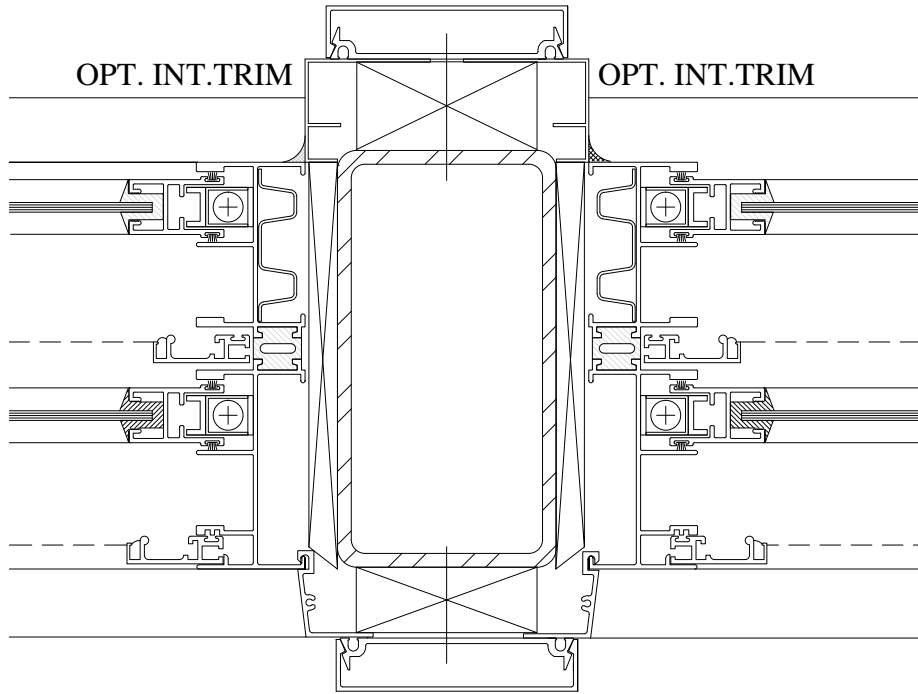


**WINDSPEC** INC.  
MANUFACTURERS OF HIGH PERFORMANCE 'WINDSPEC' WINDOWS  
ALUMINUM ENTRANCE SYSTEMS AND ARCHITECTURAL PANELS  
1310 CREDITSTONE RD, CONCORD, ONTARIO L4K 5T7  
Telephone (905) 738 -8311 Fax (905) 738 - 6188

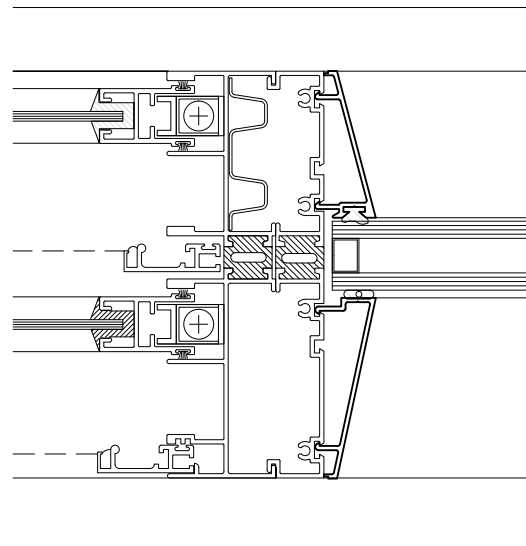
JANUARY 2016

# 420 DOUBLE HUNG & 220 FIXED

## DOUBLE HUNG TYPICAL DETAILS



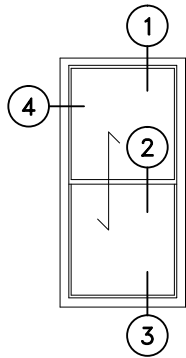
8



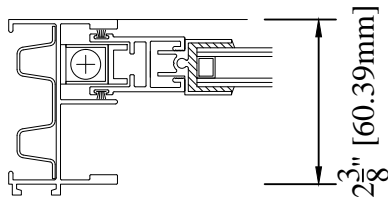
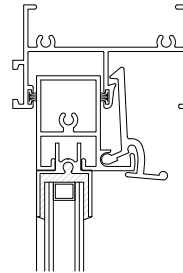
**WINDSPEC** INC.  
MANUFACTURERS OF HIGH PERFORMANCE 'WINDSPEC' WINDOWS  
ALUMINUM ENTRANCE SYSTEMS AND ARCHITECTURAL PANELS  
1310 CREDITSTONE RD, CONCORD, ONTARIO L4K 5T7  
Telephone (905) 738-8311 Fax (905) 738-6188

JANUARY 2016

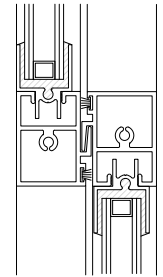
# 420 DOUBLE HUNG & 220 FIXED HALF SLIDER DETAILS (MODIFIED)



1

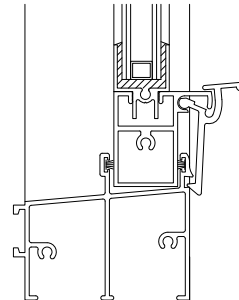


2



4

3

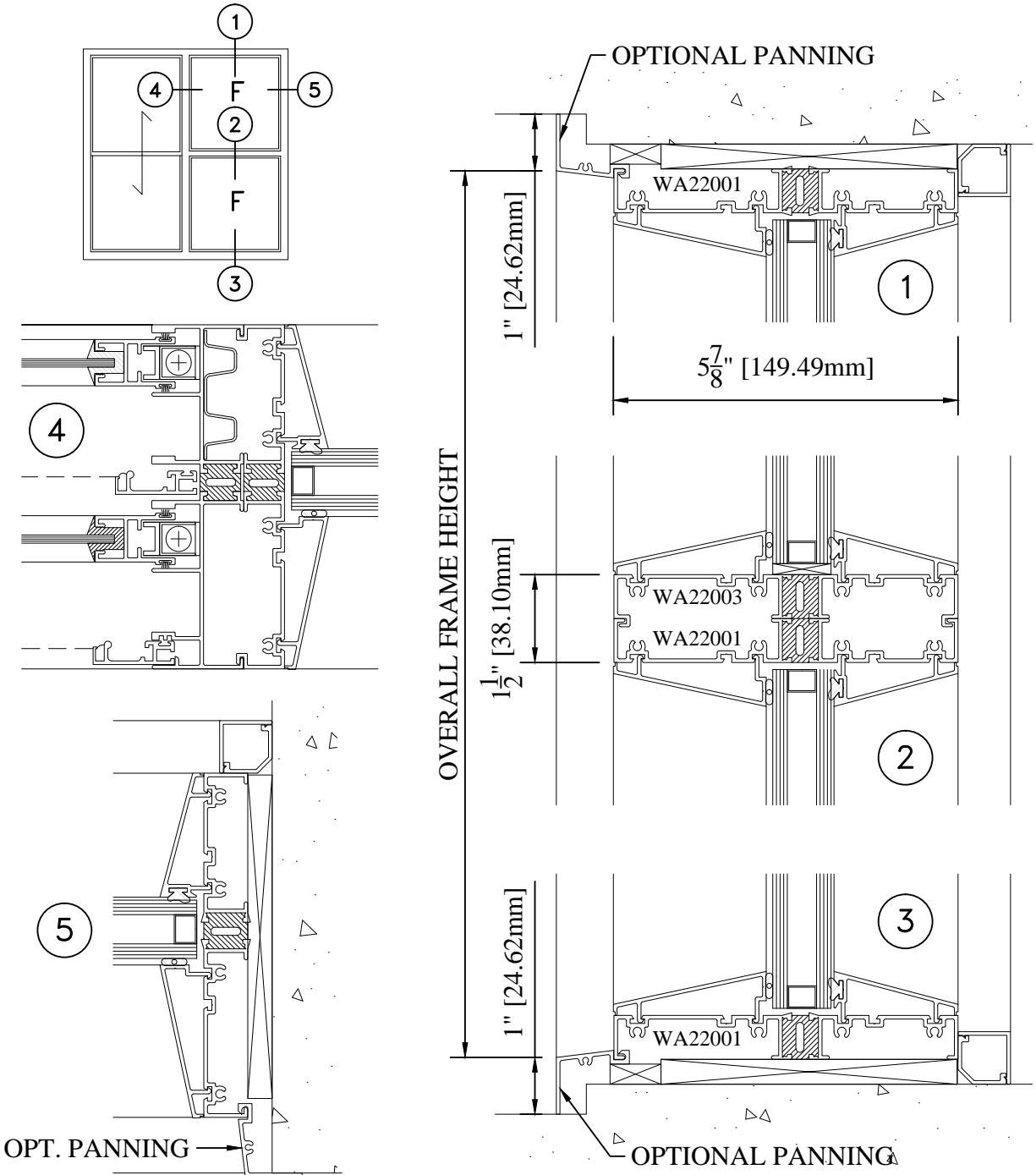


**WINDSPEC** INC.  
MANUFACTURERS OF HIGH PERFORMANCE 'WINDSPEC' WINDOWS  
ALUMINUM ENTRANCE SYSTEMS AND ARCHITECTURAL PANELS  
1310 CREDITSTONE RD, CONCORD, ONTARIO L4K 5T7  
Telephone (905) 738-8311 Fax (905) 738-6188

JANUARY 2016

# 420 DOUBLE HUNG & 220 FIXED

## 220 FIXED DETAILS



**WINDSPEC** INC.  
 MANUFACTURERS OF HIGH PERFORMANCE 'WINDSPEC' WINDOWS  
 ALUMINUM ENTRANCE SYSTEMS AND ARCHITECTURAL PANELS  
 1310 CREDITSTONE RD, CONCORD, ONTARIO L4K 5T7  
 Telephone (905) 738-8311 Fax (905) 738-6188

JANUARY 2016