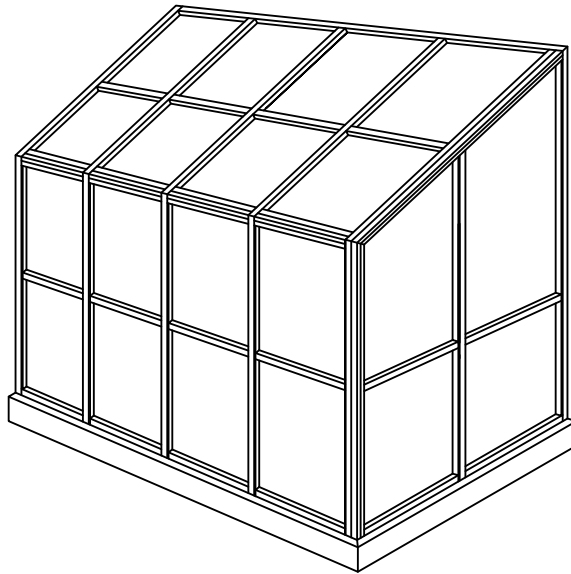


5700 SLOPED GLAZING



Series 5700 is specified for applications where lean-to or ridge type sloped glazing is required.

KEY FEATURES:

- Thermal Break
- Pressure equalized integral drainage
- Exterior Glazed
- 2" Sightline
- Accommodates 1" glazing units
- Mullion depths in 2- $\frac{3}{4}$ " and 4"
- Captured Style
- Compatible with a variety of Windspec doors and operable windows
- Available in anodized and painted finishes



WINDSPEC INC.

MANUFACTURERS OF HIGH PERFORMANCE 'WINDSPEC' WINDOWS
ALUMINUM ENTRANCE SYSTEMS AND ARCHITECTURAL PANELS
1310 CREDITSTONE RD, CONCORD, ONTARIO L4K 5T7
Telephone (905) 738 -8311 Fax (905) 738 - 6188

JANUARY 2016

5700 SLOPED GLAZING

TABLE OF CONTENTS

DESCRIPTIONS _____	003
ISOMETRIC VIEWS _____	004
TYPICAL DETAILS _____	005
PARTS LIST _____	008



WINDSPEC INC.
MANUFACTURERS OF HIGH PERFORMANCE 'WINDSPEC' WINDOWS
ALUMINUM ENTRANCE SYSTEMS AND ARCHITECTURAL PANELS
1310 CREDITSTONE RD, CONCORD, ONTARIO L4K 5T7
Telephone (905) 738 -8311 Fax (905) 738 - 6188

JANUARY 2016

5700 SLOPED GLAZING

DESCRIPTIONS

Series 5700 is specified for applications where lean-to or ridge type slope glazing is required.

The rafters which are available in depths of 78 mm (2 3/4") and 101.6 mm (4") have been designed with internal drainage channels placed into the exterior pressure zones. The purlin 78 mm (2 3/4") is designed to drain water into the rafter channels and uses joinery by an overlap notch to the rafter for assembly E.P.D.M. gaskets, seals, are keyed into the extrusions with polyisobutylene shim tape to the interior. This ensures pressure equalization.

Description

System to have internal drainage channels placed into the exterior pressure zone. Purlins to be designed to drain water into the rafter channels (overlapped). All joints to be sealed, mechanically fixed and able to move under temperature changes. No exposed screws at this point is permitted.

System to be pressure equalized with continuous air seal. Exterior and interior seal to be extruded E.P.D.M. keyed into the aluminum sections. Interior seal to be cemented at intersections. Exterior seal to be held under constant compression of 10 P.S.I.

System shall be designed to prevent water blow back.

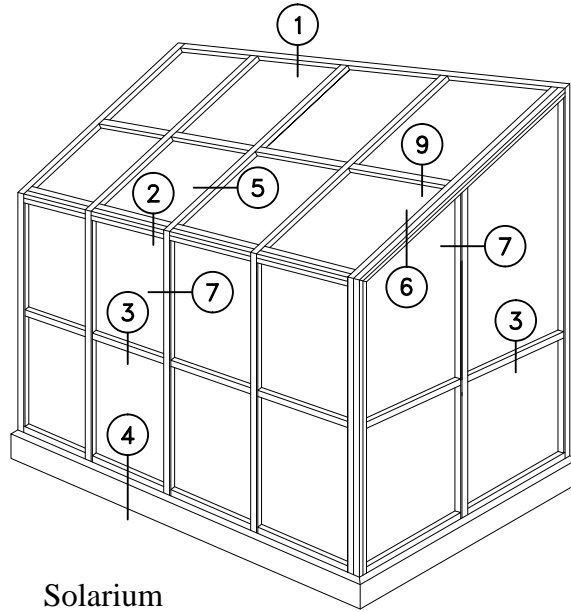


WINDSPEC INC.
MANUFACTURERS OF HIGH PERFORMANCE 'WINDSPEC' WINDOWS
ALUMINUM ENTRANCE SYSTEMS AND ARCHITECTURAL PANELS
1310 CREDITSTONE RD, CONCORD, ONTARIO L4K 5T7
Telephone (905) 738 -8311 Fax (905) 738 - 6188

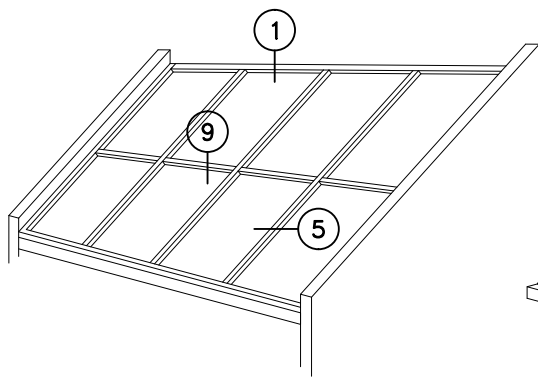
JANUARY 2016

5700 SLOPED GLAZING

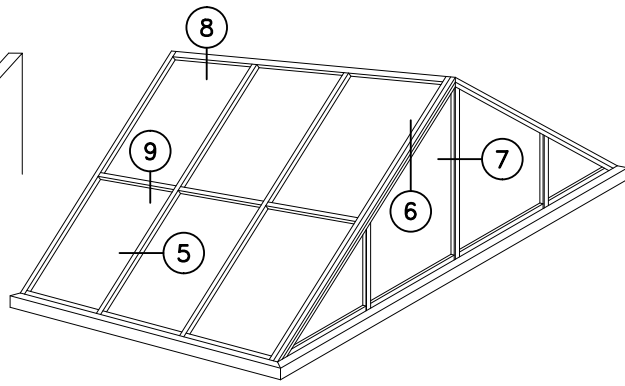
ISOMETRIC VIEW



Solarium



Lean-to



Ridge

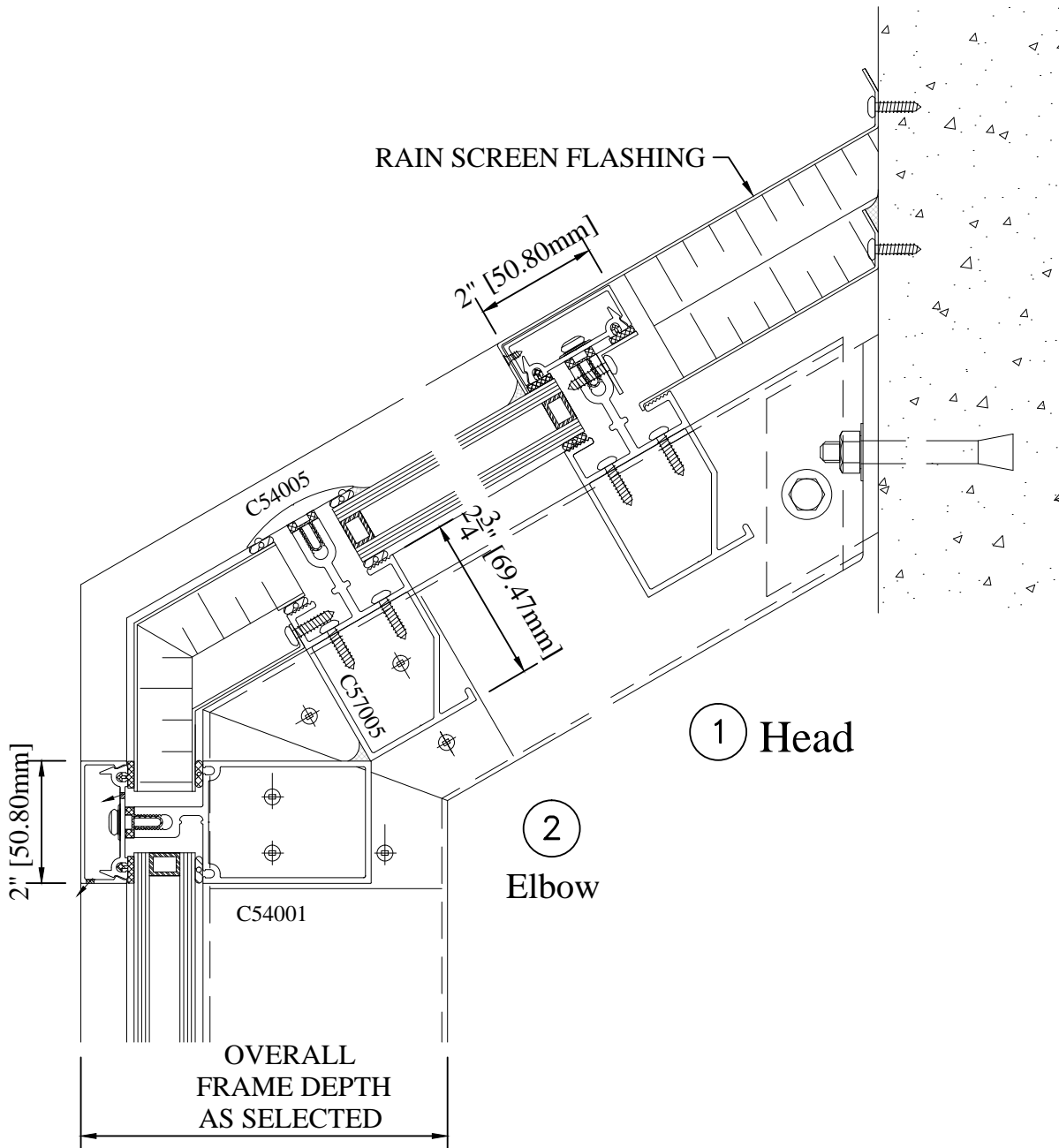


WINDSPEC INC.
MANUFACTURERS OF HIGH PERFORMANCE 'WINDSPEC' WINDOWS
ALUMINUM ENTRANCE SYSTEMS AND ARCHITECTURAL PANELS
1310 CREDITSTONE RD, CONCORD, ONTARIO L4K 5T7
Telephone (905) 738-8311 Fax (905) 738-6188

JANUARY 2016

5700 SLOPED GLAZING

TYPICAL DETAILS



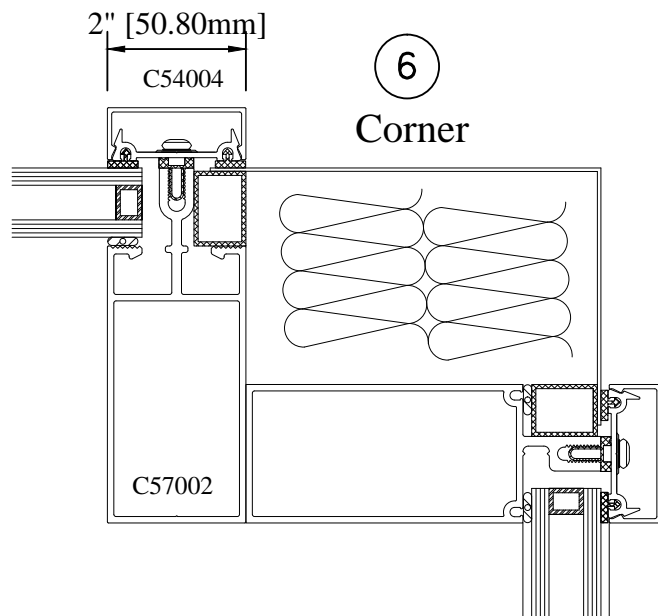
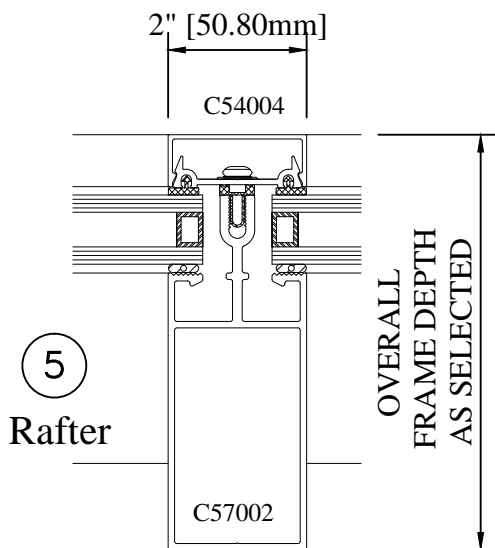
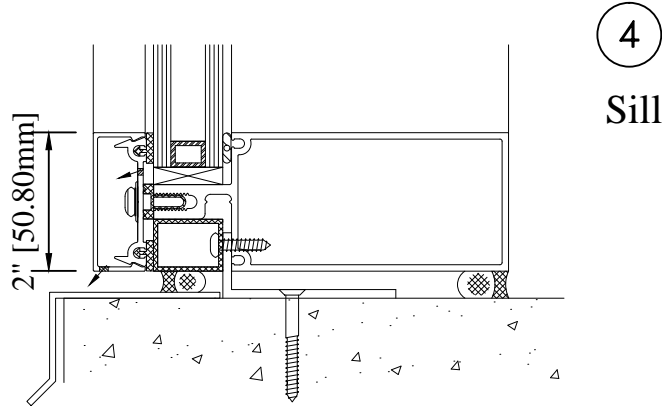
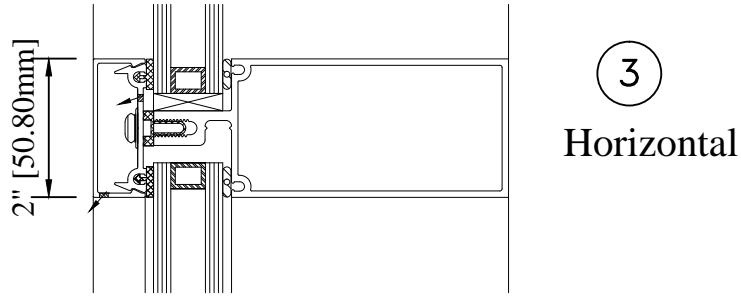
WINDSPEC INC.

MANUFACTURERS OF HIGH PERFORMANCE 'WINDSPEC' WINDOWS
ALUMINUM ENTRANCE SYSTEMS AND ARCHITECTURAL PANELS
1310 CREDITSTONE RD, CONCORD, ONTARIO L4K 5T7
Telephone (905) 738-8311 Fax (905) 738-6188

JANUARY 2016

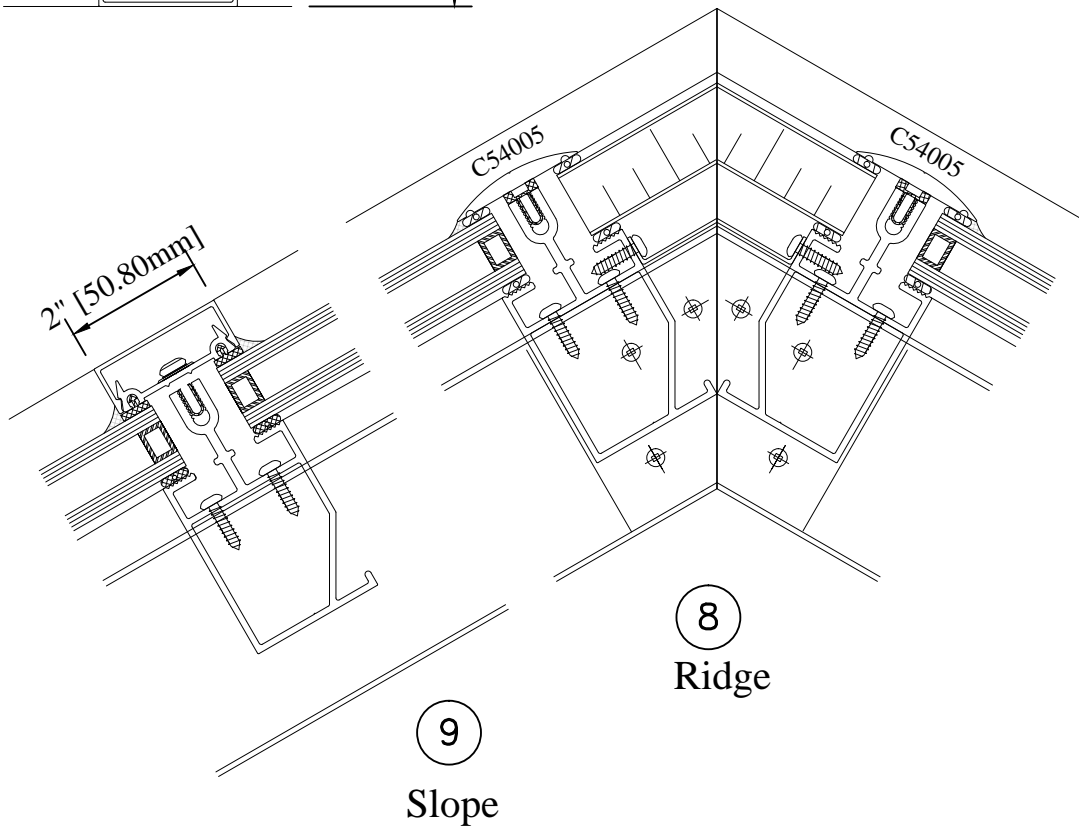
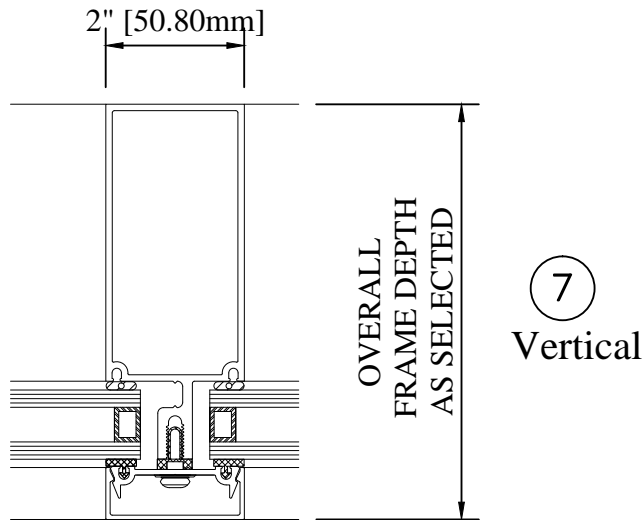
5700 SLOPED GLAZING

TYPICAL DETAILS



5700 SLOPED GLAZING

TYPICAL DETAILS

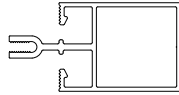
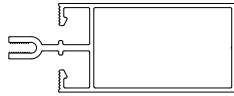
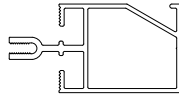


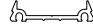

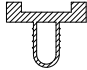


WINDSPEC INC.
MANUFACTURERS OF HIGH PERFORMANCE 'WINDSPEC' WINDOWS
ALUMINUM ENTRANCE SYSTEMS AND ARCHITECTURAL PANELS
1310 CREDITSTONE RD, CONCORD, ONTARIO L4K 5T7
Telephone (905) 738-8311 Fax (905) 738-6188

JANUARY 2016

5700 SLOPED GLAZING

PARTS LIST

Part Number	Description	Profile
C-57001	2 x 2 $\frac{3}{4}$ " (50.8mmx69.9mm) rafter	
C-57002	2 x 4" (50.8mmx101.6mm) rafter	
C-57005	2 x 2 $\frac{3}{4}$ " (50.8mmx69.9mm) purlin	
C-54004	2 x $\frac{3}{4}$ " snap on cap	
C-54005	2" sloped glaze pressure plate	
C-54006	2" pressure plate	
R-00003	glazing tape polyshim ($\frac{3}{8}$ " x $\frac{5}{32}$ " x $\frac{1}{8}$ ")	 N.T.S.
R-53001	p.v.c thermal break	 N.T.S.





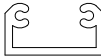
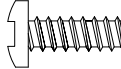


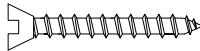
WINDSPEC INC.

MANUFACTURERS OF HIGH PERFORMANCE 'WINDSPEC' WINDOWS
ALUMINUM ENTRANCE SYSTEMS AND ARCHITECTURAL PANELS
1310 CREDITSTONE RD, CONCORD, ONTARIO L4K 5T7
Telephone (905) 738 -8311 Fax (905) 738 - 6188

JANUARY 2016

5700 SLOPED GLAZING

PARTS LIST

Part Number	Description	Profile
C-54001	p.v.c pocket filler	 N.T.S.
C-54002	exterior glazing spline	 N.T.S.
C-54003	shear blocks for mullions	 N.T.S.
C-54004	$\frac{1}{4}$ " \varnothing x #20 x $\frac{3}{4}$ " s.s machine screw	 N.T.S.
C-54005	#10 x $\frac{3}{4}$ " tapping screw	 N.T.S.
C-54006	$\frac{1}{4}$ " \varnothing x #20 x $\frac{7}{8}$ " flat head	 N.T.S.
C-54007	#10 x 1" flat head screw-zinc plated	 N.T.S.



WINDSPEC INC.

MANUFACTURERS OF HIGH PERFORMANCE 'WINDSPEC' WINDOWS
ALUMINUM ENTRANCE SYSTEMS AND ARCHITECTURAL PANELS
1310 CREDITSTONE RD, CONCORD, ONTARIO L4K 5T7
Telephone (905) 738 -8311 Fax (905) 738 - 6188

JANUARY 2016