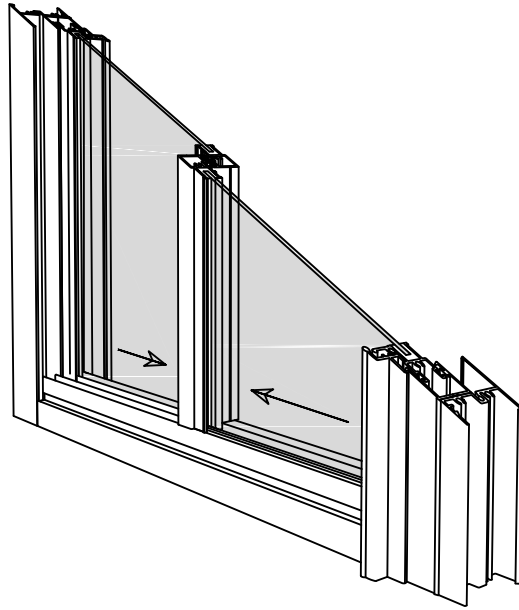


970 S.G. SERIES



KEY FEATURES

- 2" deep
- $\frac{3}{4}$ " profile
- Interior fixed and sliding window



WINDSPEC INC.

MANUFACTURERS OF HIGH PERFORMANCE 'WINDSPEC' WINDOWS
ALUMINUM ENTRANCE SYSTEMS AND ARCHITECTURAL PANELS
1310 CREDITSTONE RD, CONCORD, ONTARIO L4K 5T7
Telephone (905) 738-8311 Fax (905) 738-6188

JANUARY 2016

970 S.G. SERIES

TABLE OF CONTENTS

TYPICAL INTERIOR FIXED WINDOW DETAILS _____	003
TYPICAL INTERIOR SLIDING WINDOW DETAILS _____	004



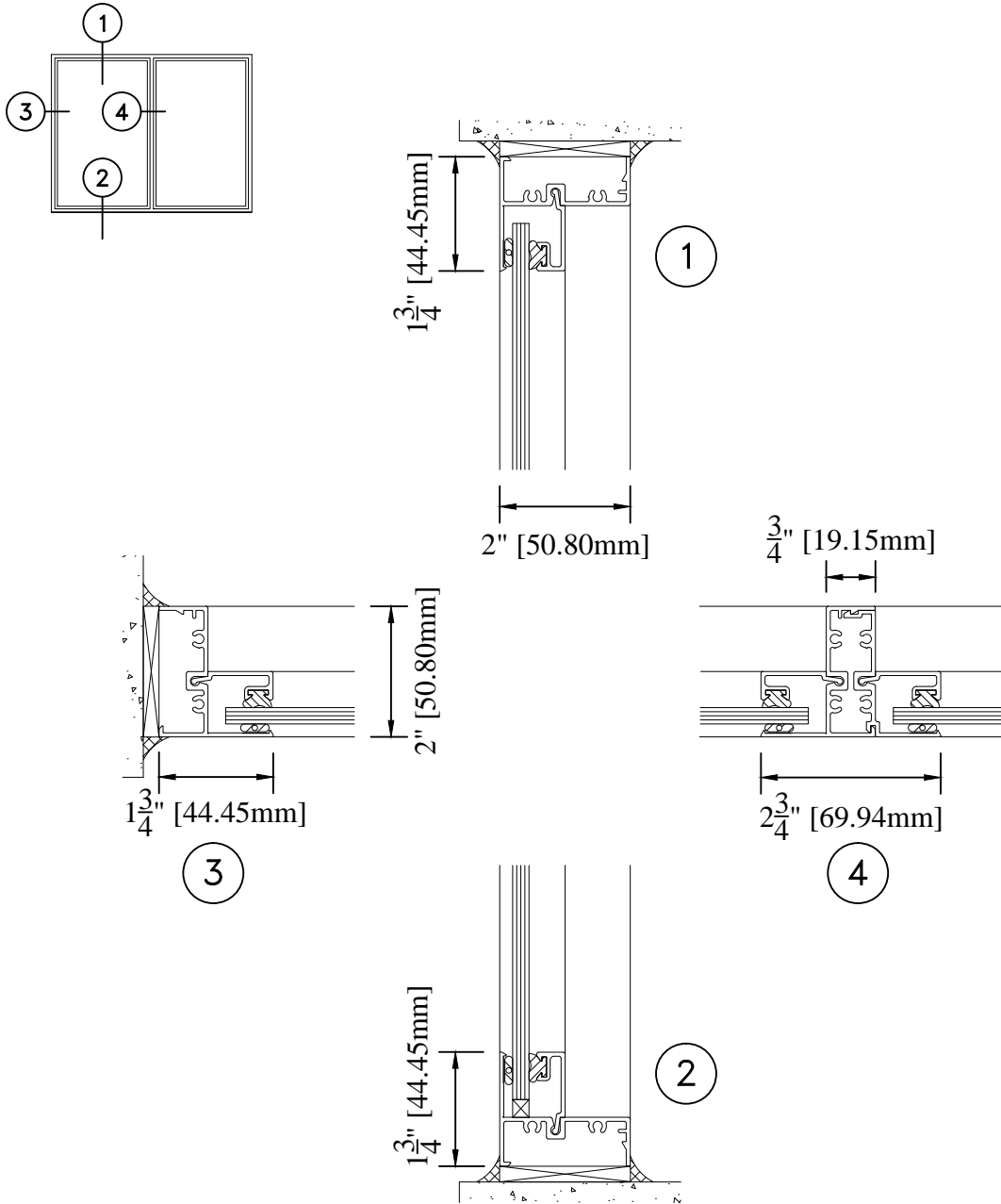
WINDSPEC INC.

MANUFACTURERS OF HIGH PERFORMANCE 'WINDSPEC' WINDOWS
ALUMINUM ENTRANCE SYSTEMS AND ARCHITECTURAL PANELS
1310 CREDITSTONE RD, CONCORD, ONTARIO L4K 5T7
Telephone (905) 738 -8311 Fax (905) 738 - 6188

JANUARY 2016

970 S.G. SERIES

TYPICAL INTERIOR FIXED WINDOW DETAILS

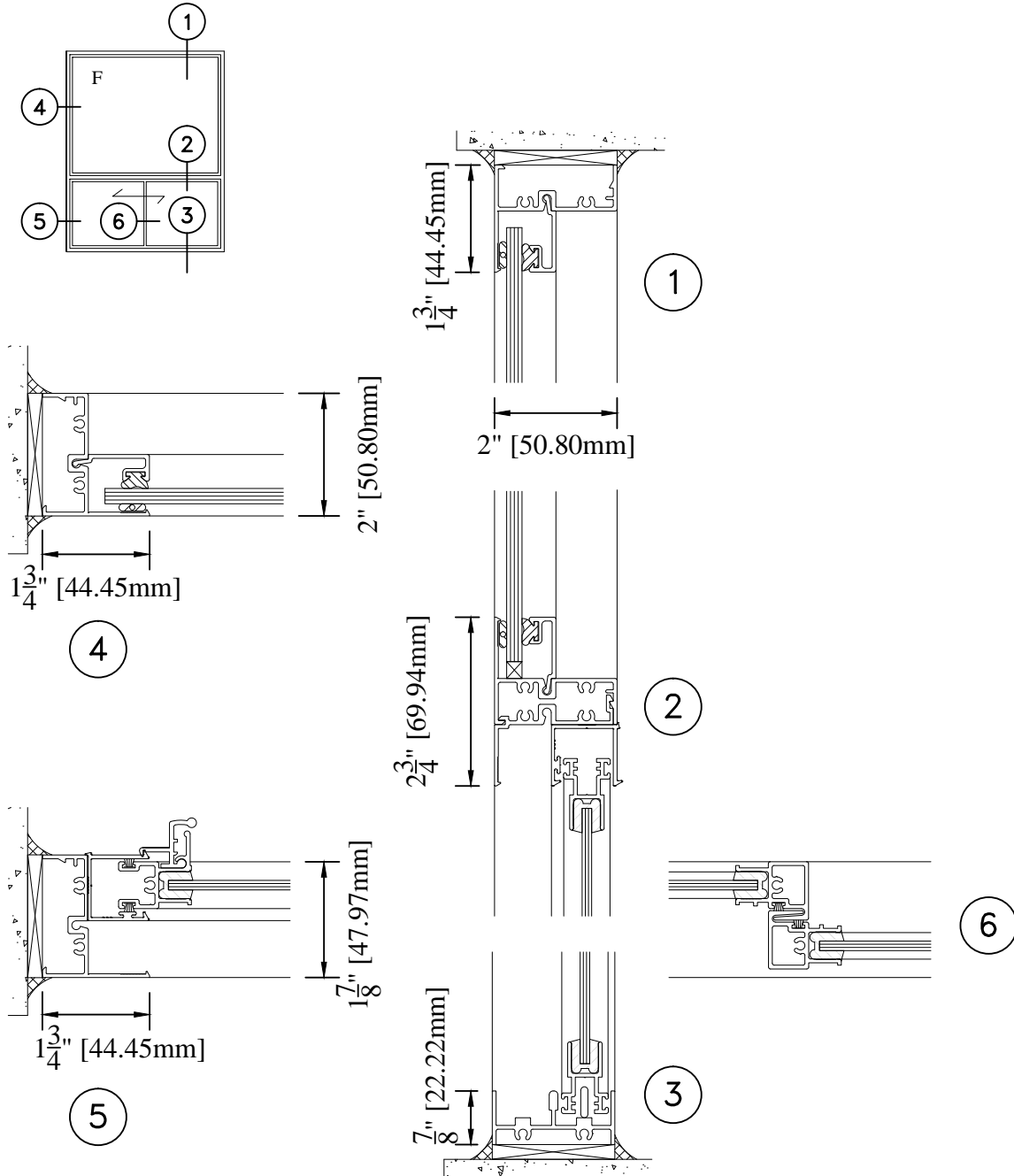


WINDSPEC INC.
MANUFACTURERS OF HIGH PERFORMANCE 'WINDSPEC' WINDOWS
ALUMINUM ENTRANCE SYSTEMS AND ARCHITECTURAL PANELS
1310 CREDITSTONE RD, CONCORD, ONTARIO L4K 5T7
Telephone (905) 738-8311 Fax (905) 738-6188

JANUARY 2016

970 S.G. SERIES

TYPICAL INTERIOR SLIDING WINDOW DETAILS



WINDSPEC INC.
 MANUFACTURERS OF HIGH PERFORMANCE 'WINDSPEC' WINDOWS
 ALUMINUM ENTRANCE SYSTEMS AND ARCHITECTURAL PANELS
 1310 CREDITSTONE RD, CONCORD, ONTARIO L4K 5T7
 Telephone (905) 738-8311 Fax (905) 738-6188

JANUARY 2016