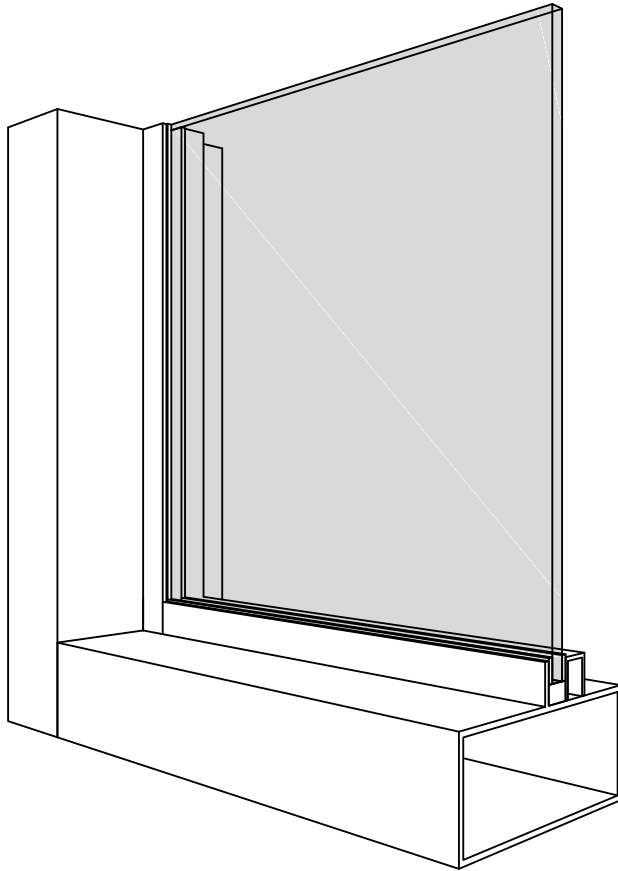


# 400 SERIES



## KEY FEATURES

- 1  $\frac{3}{4}$ " x 4" profile
- Screw-applied stops
- Compatible with Windspec doors
- Single or double glazed



**WINDSPEC** INC.

MANUFACTURERS OF HIGH PERFORMANCE 'WINDSPEC' WINDOWS  
ALUMINUM ENTRANCE SYSTEMS AND ARCHITECTURAL PANELS  
1310 CREDITSTONE RD, CONCORD, ONTARIO L4K 5T7  
Telephone (905) 738-8311 Fax (905) 738-6188

FEBRUARY 2017

# 400 SERIES

## TABLE OF CONTENTS

DESCRIPTIONS & WIND LOAD CHART _____	003
TYPICAL DETAILS _____	004
PARTS LIST _____	009



**WINDSPEC** INC.  
MANUFACTURERS OF HIGH PERFORMANCE 'WINDSPEC' WINDOWS  
ALUMINUM ENTRANCE SYSTEMS AND ARCHITECTURAL PANELS  
1310 CREDITSTONE RD, CONCORD, ONTARIO L4K 5T7  
Telephone (905) 738 -8311 Fax (905) 738 - 6188

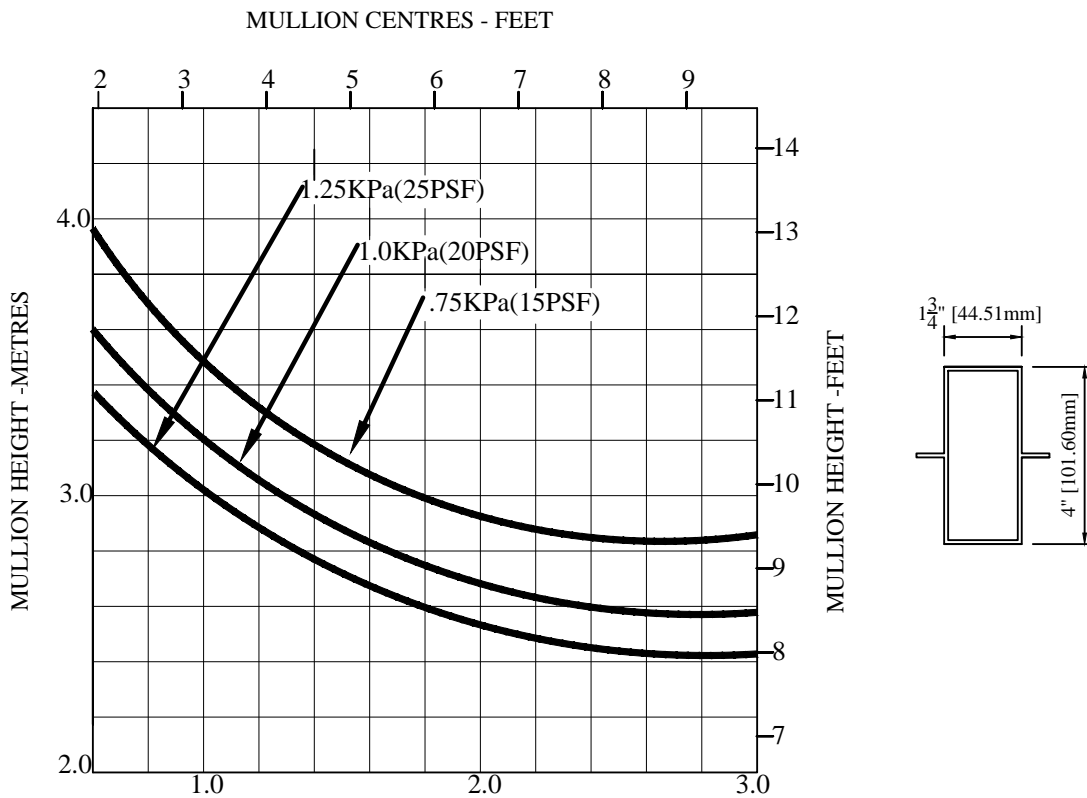
FEBRUARY 2017

# 400 SERIES

## DESCRIPTION & WIND LOAD CHART

This entrance framing system functions in two specific types of glazing applications.  $\frac{5}{8}$ " fin is for single glazing applications or for use with sealed units.

The series 400 ( $1\frac{3}{4}$ " x 4" x  $\frac{5}{8}$ " fin) section provides excellent structural qualities (wind-load resistance) Optional saddle glass stops with concealed fasteners are available

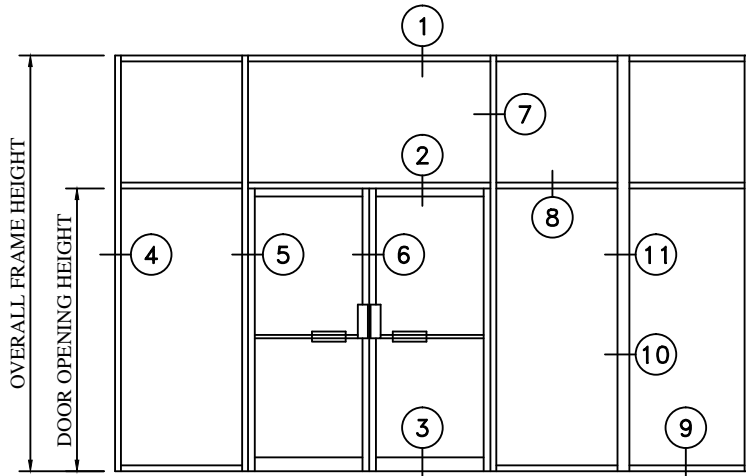


**WINDSPEC** INC.  
 MANUFACTURERS OF HIGH PERFORMANCE 'WINDSPEC' WINDOWS  
 ALUMINUM ENTRANCE SYSTEMS AND ARCHITECTURAL PANELS  
 1310 CREDITSTONE RD, CONCORD, ONTARIO L4K 5T7  
 Telephone (905) 738-8311 Fax (905) 738-6188

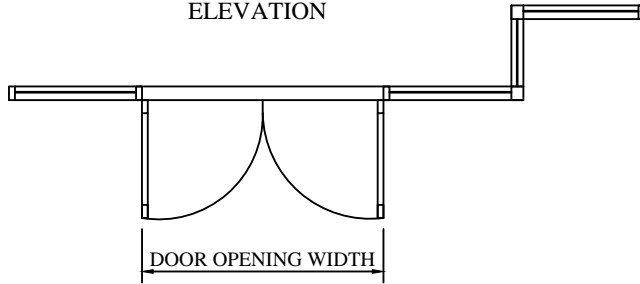
FEBRUARY 2017

# 400 SERIES

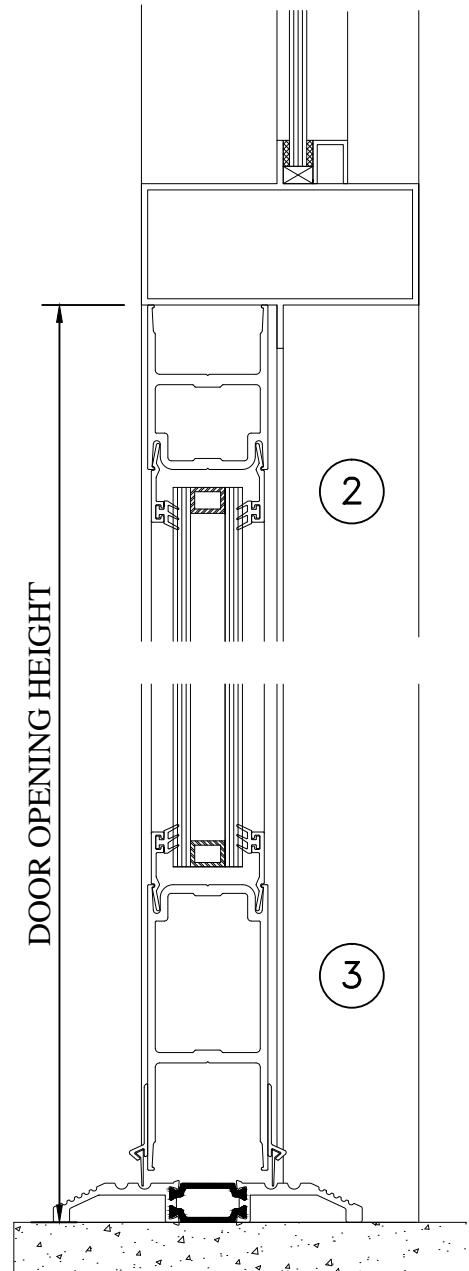
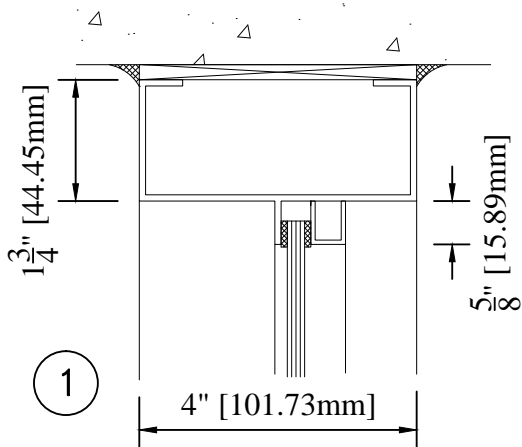
## TYPICAL DETAILS



ELEVATION



PLAN

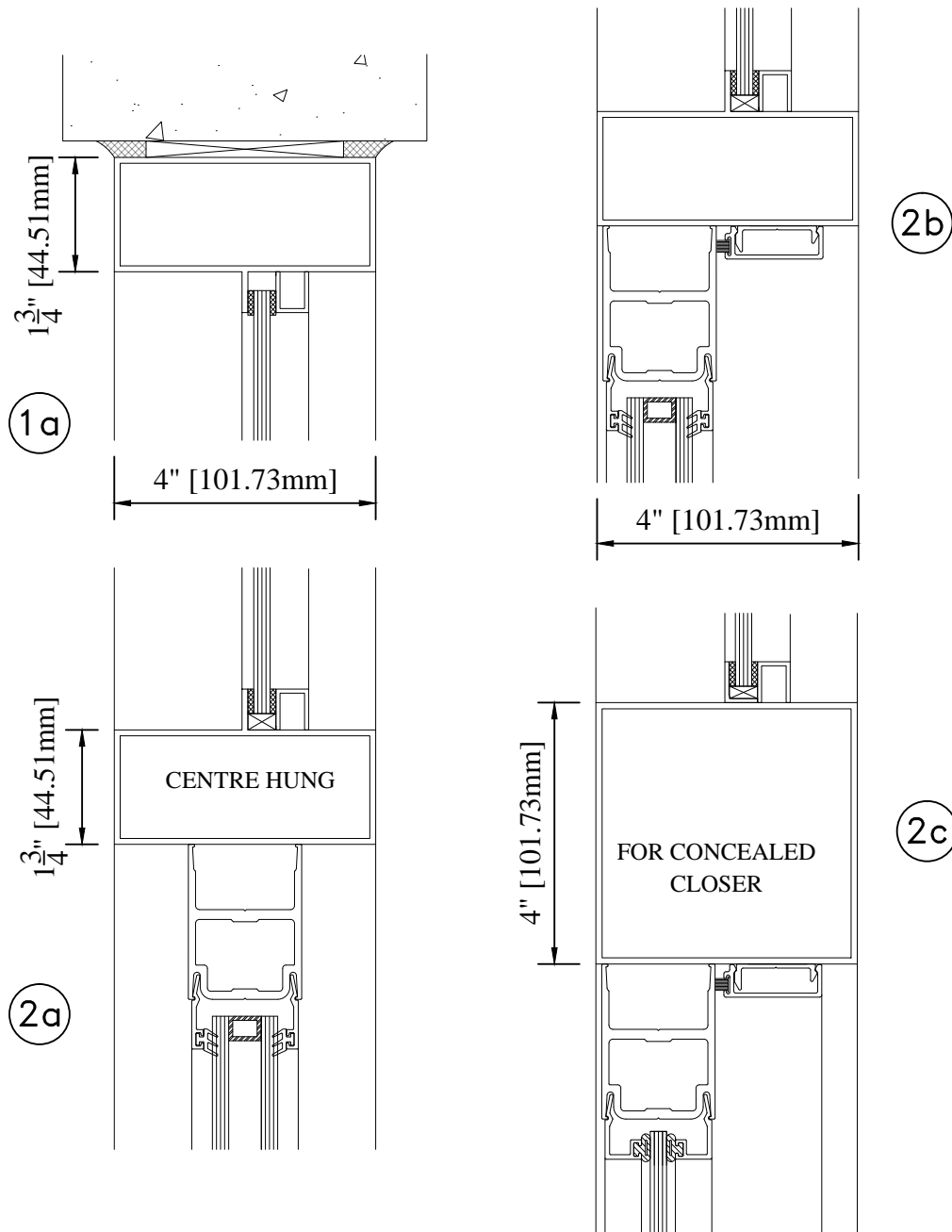


**WINDSPEC** INC.  
 MANUFACTURERS OF HIGH PERFORMANCE 'WINDSPEC' WINDOWS  
 ALUMINUM ENTRANCE SYSTEMS AND ARCHITECTURAL PANELS  
 1310 CREDITSTONE RD, CONCORD, ONTARIO L4K 5T7  
 Telephone (905) 738-8311 Fax (905) 738-6188

FEBRUARY 2017

# 400 SERIES

## TYPICAL DETAILS

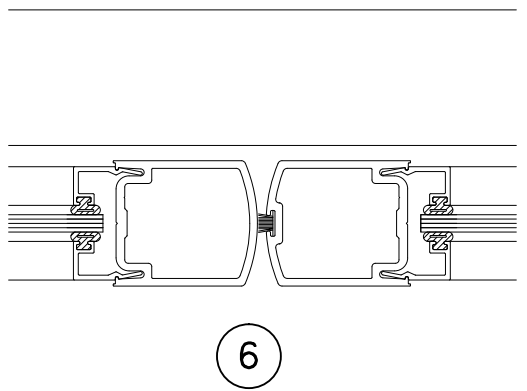
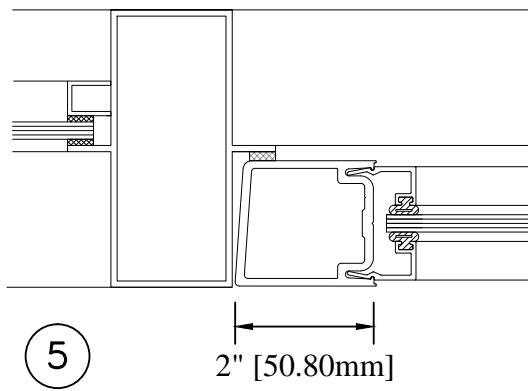
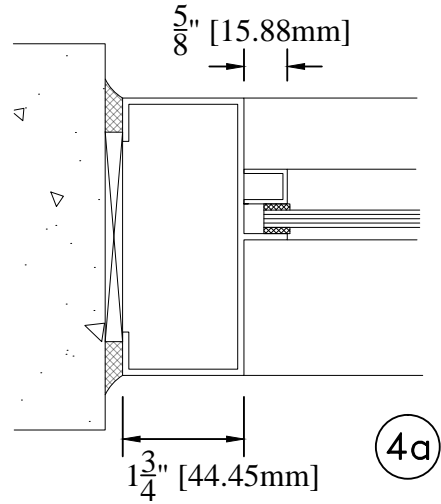
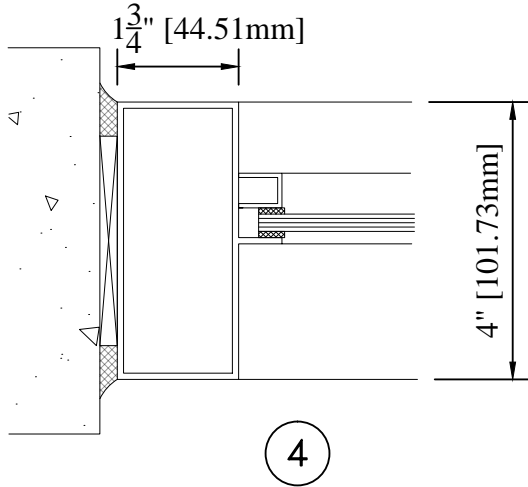


**WINDSPEC** INC.  
MANUFACTURERS OF HIGH PERFORMANCE 'WINDSPEC' WINDOWS  
ALUMINUM ENTRANCE SYSTEMS AND ARCHITECTURAL PANELS  
1310 CREDITSTONE RD, CONCORD, ONTARIO L4K 5T7  
Telephone (905) 738-8311 Fax (905) 738-6188

FEBRUARY 2017

# 400 SERIES

## TYPICAL DETAILS

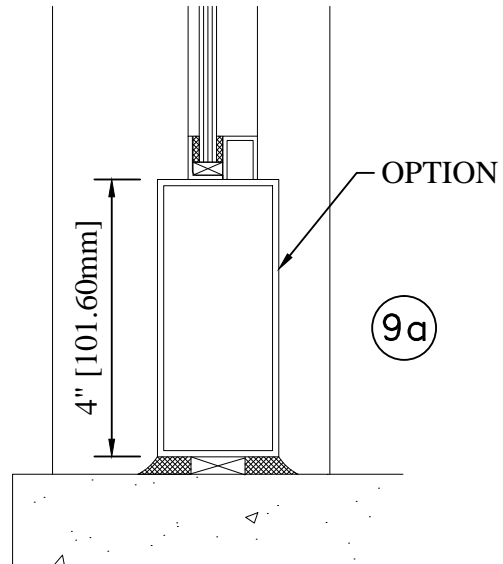
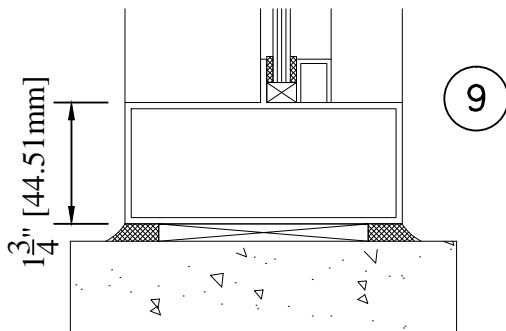
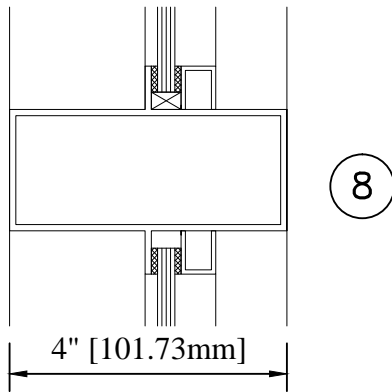
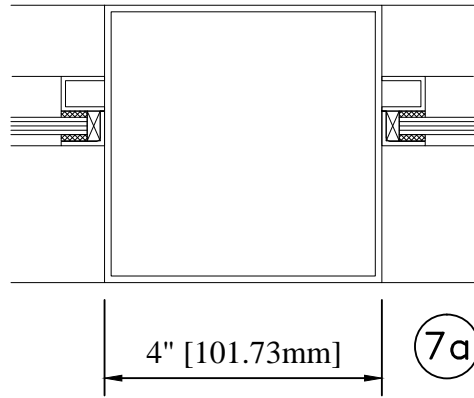
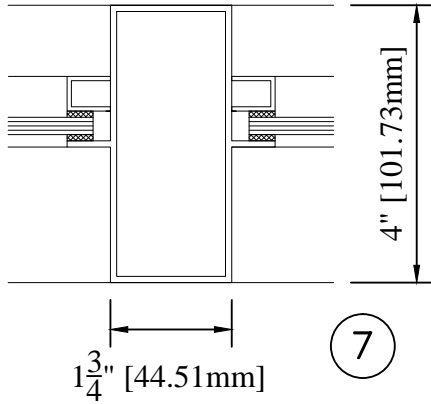


**WINDSPEC** INC.  
MANUFACTURERS OF HIGH PERFORMANCE 'WINDSPEC' WINDOWS  
ALUMINUM ENTRANCE SYSTEMS AND ARCHITECTURAL PANELS  
1310 CREDITSTONE RD, CONCORD, ONTARIO L4K 5T7  
Telephone (905) 738-8311 Fax (905) 738-6188

FEBRUARY 2017

# 400 SERIES

## TYPICAL DETAILS

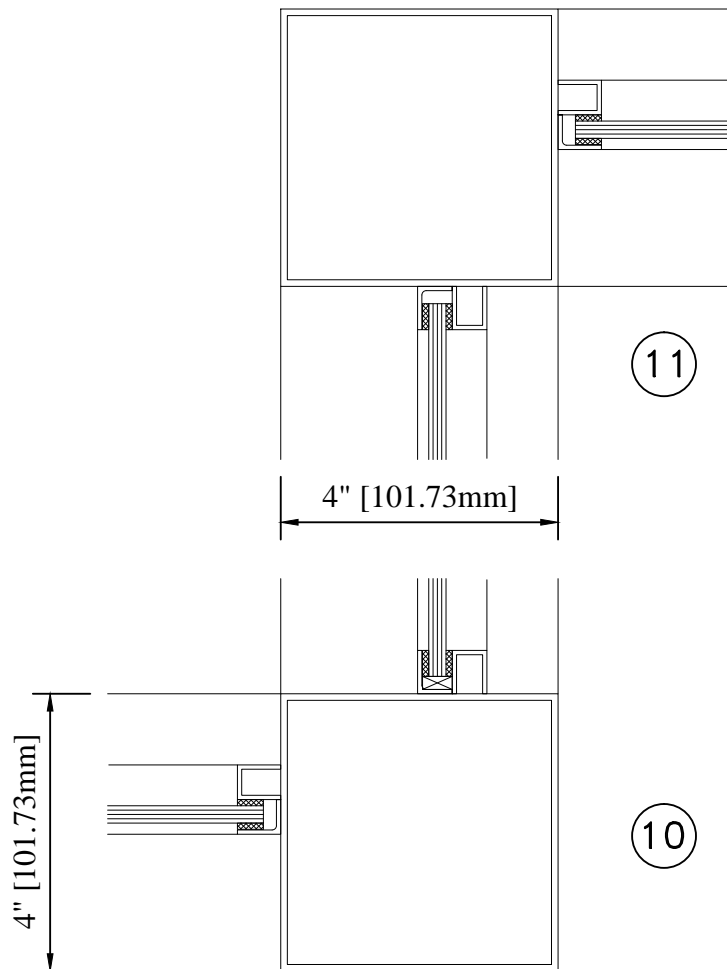


**WINDSPEC** INC.  
MANUFACTURERS OF HIGH PERFORMANCE 'WINDSPEC' WINDOWS  
ALUMINUM ENTRANCE SYSTEMS AND ARCHITECTURAL PANELS  
1310 CREDITSTONE RD, CONCORD, ONTARIO L4K 5T7  
Telephone (905) 738-8311 Fax (905) 738-6188

FEBRUARY 2017

# 400 SERIES

## TYPICAL DETAILS




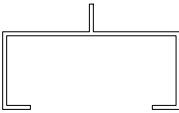
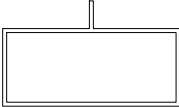
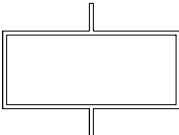
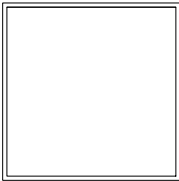





**WINDSPEC** INC.  
MANUFACTURERS OF HIGH PERFORMANCE 'WINDSPEC' WINDOWS  
ALUMINUM ENTRANCE SYSTEMS AND ARCHITECTURAL PANELS  
1310 CREDITSTONE RD, CONCORD, ONTARIO L4K 5T7  
Telephone (905) 738-8311 Fax (905) 738-6188

FEBRUARY 2017



# 400 SERIES

## PARTS LIST

Part Number	Description	Profile
C-40001	1 $\frac{3}{4}$ " x 4" plain tube	 N.T.S.
C-40002	1 $\frac{3}{4}$ " x 4" x $\frac{5}{8}$ " fin open back perimeter	 N.T.S.
C-40003	1 $\frac{3}{4}$ " x 4" x $\frac{5}{8}$ " fin closed back perimeter	 N.T.S.
C-40004	1 $\frac{3}{4}$ " x 4" x $\frac{5}{8}$ " fin mullion	 N.T.S.
C-40005	4" x 4" square corner post	 N.T.S.
C-40006	$\frac{1}{2}$ " x $\frac{5}{8}$ " channel glass stop	 N.T.S.
C-40007	$\frac{1}{2}$ " x $\frac{5}{8}$ " angle glass stop	 N.T.S.
C-40010	S400 6mm glass stop for side light	 N.T.S.
C-40013	1 $\frac{3}{4}$ " x 1 $\frac{3}{4}$ " square tube	 N.T.S.
C-40014	1 $\frac{3}{4}$ " x 6" plain tube	 N.T.S.








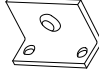
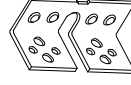
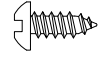
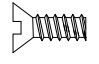
**WINDSPEC** INC.

MANUFACTURERS OF HIGH PERFORMANCE 'WINDSPEC' WINDOWS  
ALUMINUM ENTRANCE SYSTEMS AND ARCHITECTURAL PANELS  
1310 CREDITSTONE RD, CONCORD, ONTARIO L4K 5T7  
Telephone (905) 738 -8311 Fax (905) 738 - 6188

FEBRUARY2017

# 400 SERIES

## PARTS LIST

Part Number	Description	Profile
C-40015	saddle stop (front) for $\frac{1}{4}$ " & 1" units	 <small>N.T.S.</small>
C-40016	$\frac{1}{4}$ " saddle stop for single glass	 <small>N.T.S.</small>
C-40017	1" saddle stop (back) for sealed unit	 <small>N.T.S.</small>
C-40018	$\frac{1}{2}$ " x $\frac{3}{4}$ " channel glass stop	 <small>N.T.S.</small>
C-40019	$\frac{1}{2}$ " x $\frac{3}{4}$ " angle	 <small>N.T.S.</small>
H-40003	misc bracket (screws not included)	 <small>N.T.S.</small>
H-40001	fabrication bracket 400 & 450 series framing (screws not included)	 <small>N.T.S.</small>
H-00007	#10 x $\frac{5}{8}$ " pan head socket zinc plated	 <small>N.T.S.</small>
H-00008	#10-24 x $\frac{5}{8}$ " flat head frame screw	 <small>N.T.S.</small>



**WINDSPEC** INC.

MANUFACTURERS OF HIGH PERFORMANCE 'WINDSPEC' WINDOWS  
ALUMINUM ENTRANCE SYSTEMS AND ARCHITECTURAL PANELS  
1310 CREDITSTONE RD, CONCORD, ONTARIO L4K 5T7  
Telephone (905) 738 -8311 Fax (905) 738 - 6188

FEBRUARY 2017