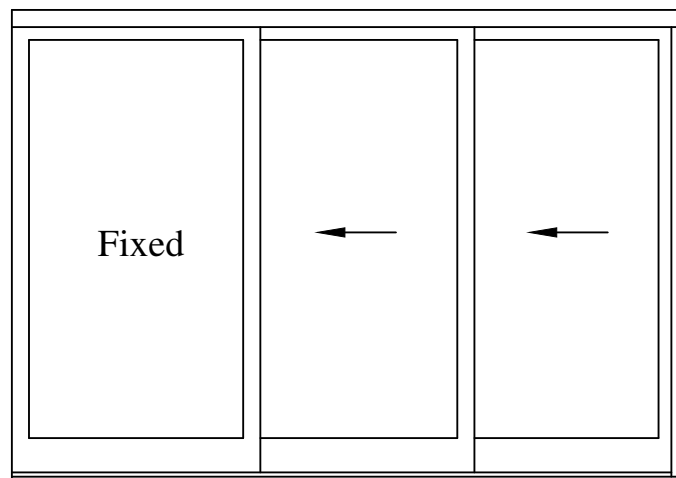


# 200Series SLIDING DOOR

MULTI-TRACK SLIDING DOOR



## KEY FEATURES

- Interior application
- 2" wide door stiles
- $\frac{1}{4}$ ",  $\frac{3}{8}$ ",  $\frac{1}{2}$ " and 1" glazing options
- Multi track system



**WINDSPEC** INC.

MANUFACTURERS OF HIGH PERFORMANCE 'WINDSPEC' WINDOWS  
ALUMINUM ENTRANCE SYSTEMS AND ARCHITECTURAL PANELS  
1310 CREDITSTONE RD, CONCORD, ONTARIO L4K 5T7  
Telephone (905) 738 -8311 Fax (905) 738 - 6188

FEBRUARY 2017

# 200Series SLIDING DOOR

## TABLE OF CONTENTS

POCKET MULTI TRACK SLIDING DOORS _____	003
MULTI TRACK STACKING SLIDERS _____	006
BI-PARTING SLIDERS _____	009
SLIDING PANELS WITH A SWING DOOR _____	012
TOP RAILS, MID-RAILS AND BOTTOM RAILS OPTIONS _____	015



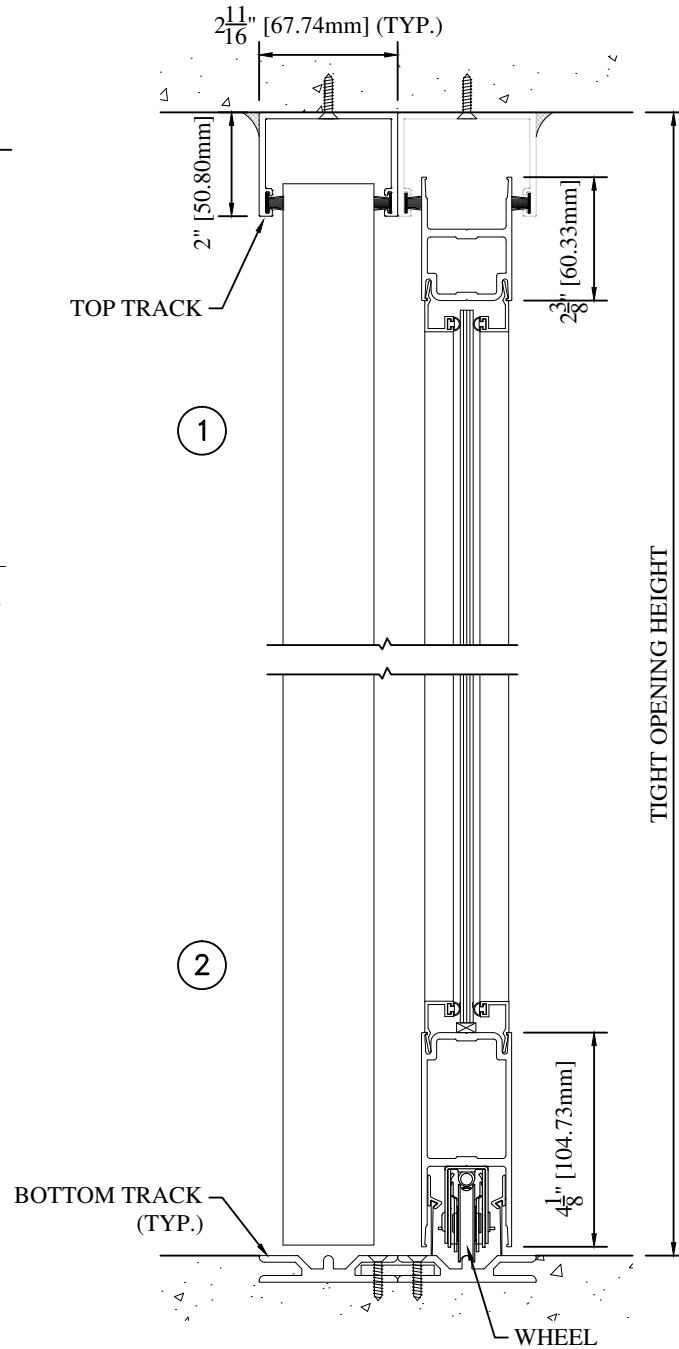
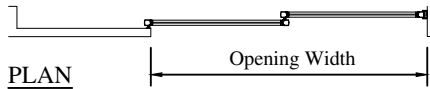
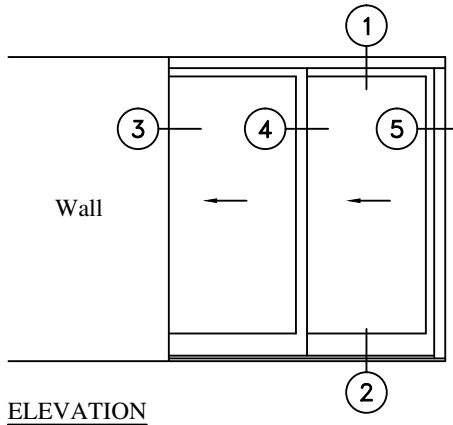
**WINDSPEC** INC.

MANUFACTURERS OF HIGH PERFORMANCE 'WINDSPEC' WINDOWS  
ALUMINUM ENTRANCE SYSTEMS AND ARCHITECTURAL PANELS  
1310 CREDITSTONE RD, CONCORD, ONTARIO L4K 5T7  
Telephone (905) 738 -8311 Fax (905) 738 - 6188

FEBRUARY 2017

# 200Series SLIDING DOOR

## POCKET MULTI TRACK SLIDING DOORS

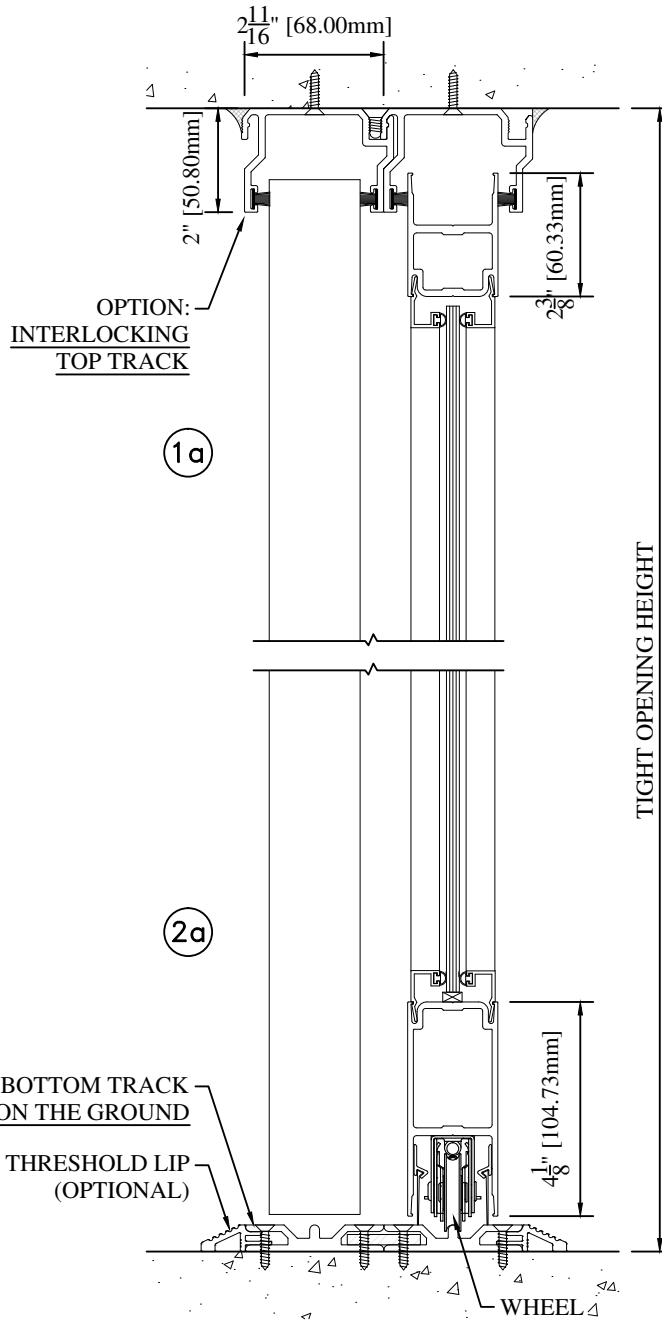


**WINDSPEC** INC.  
 MANUFACTURERS OF HIGH PERFORMANCE 'WINDSPEC' WINDOWS  
 ALUMINUM ENTRANCE SYSTEMS AND ARCHITECTURAL PANELS  
 1310 CREDITSTONE RD, CONCORD, ONTARIO L4K 5T7  
 Telephone (905) 738 -8311 Fax (905) 738 - 6188

FEBRUARY 2017

# 200Series SLIDING DOOR

## POCKET MULTI TRACK SLIDING DOORS

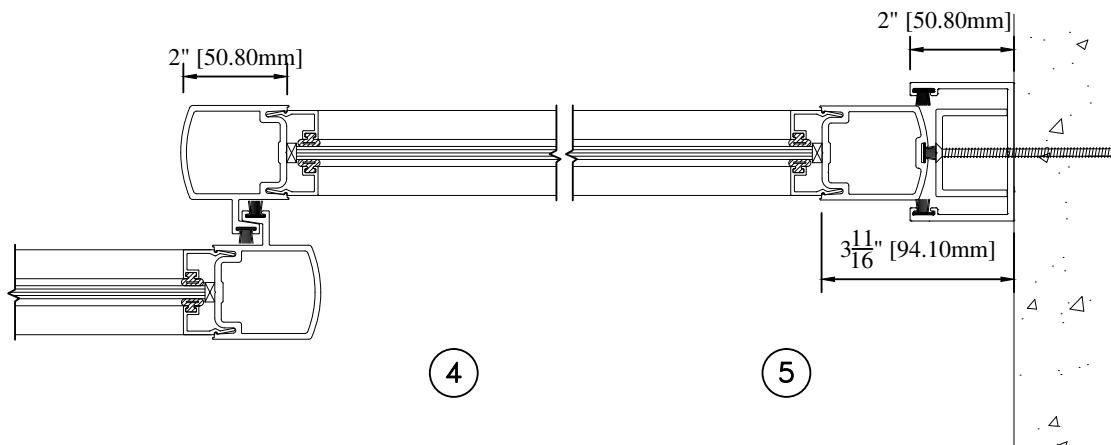
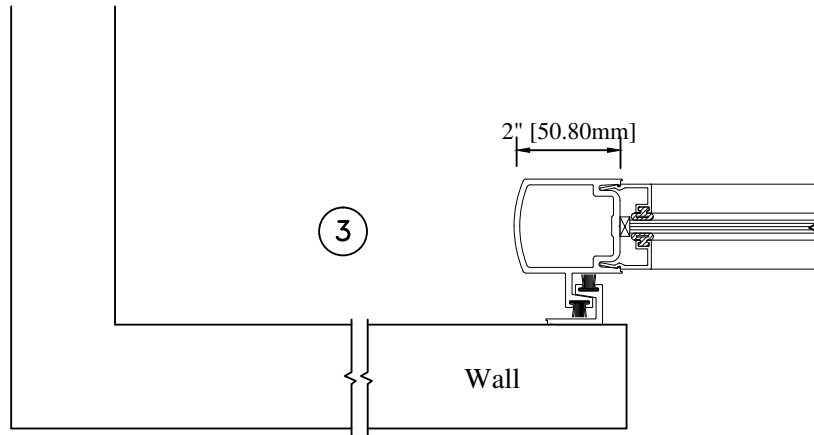


**WINDSPEC** INC.  
MANUFACTURERS OF HIGH PERFORMANCE 'WINDSPEC' WINDOWS  
ALUMINUM ENTRANCE SYSTEMS AND ARCHITECTURAL PANELS  
1310 CREDITSTONE RD, CONCORD, ONTARIO L4K 5T7  
Telephone (905) 738 -8311 Fax (905) 738 - 6188

FEBRUARY 2017

# 200Series SLIDING DOOR

## POCKET MULTI TRACK SLIDING DOORS

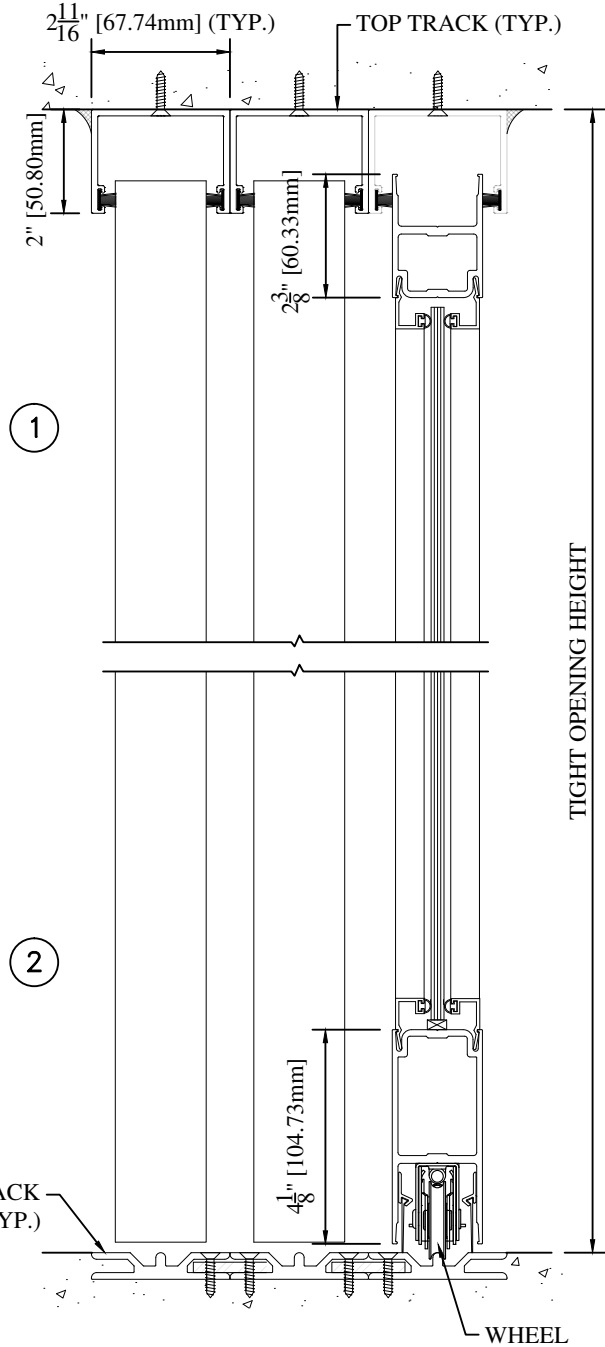
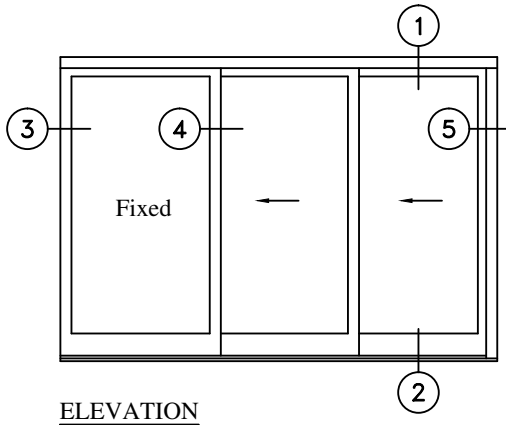


**WINDSPEC** INC.  
MANUFACTURERS OF HIGH PERFORMANCE 'WINDSPEC' WINDOWS  
ALUMINUM ENTRANCE SYSTEMS AND ARCHITECTURAL PANELS  
1310 CREDITSTONE RD, CONCORD, ONTARIO L4K 5T7  
Telephone (905) 738 -8311 Fax (905) 738 - 6188

FEBRUARY 2017

# 200Series SLIDING DOOR

## MULTI TRACK STACKING SLIDERS

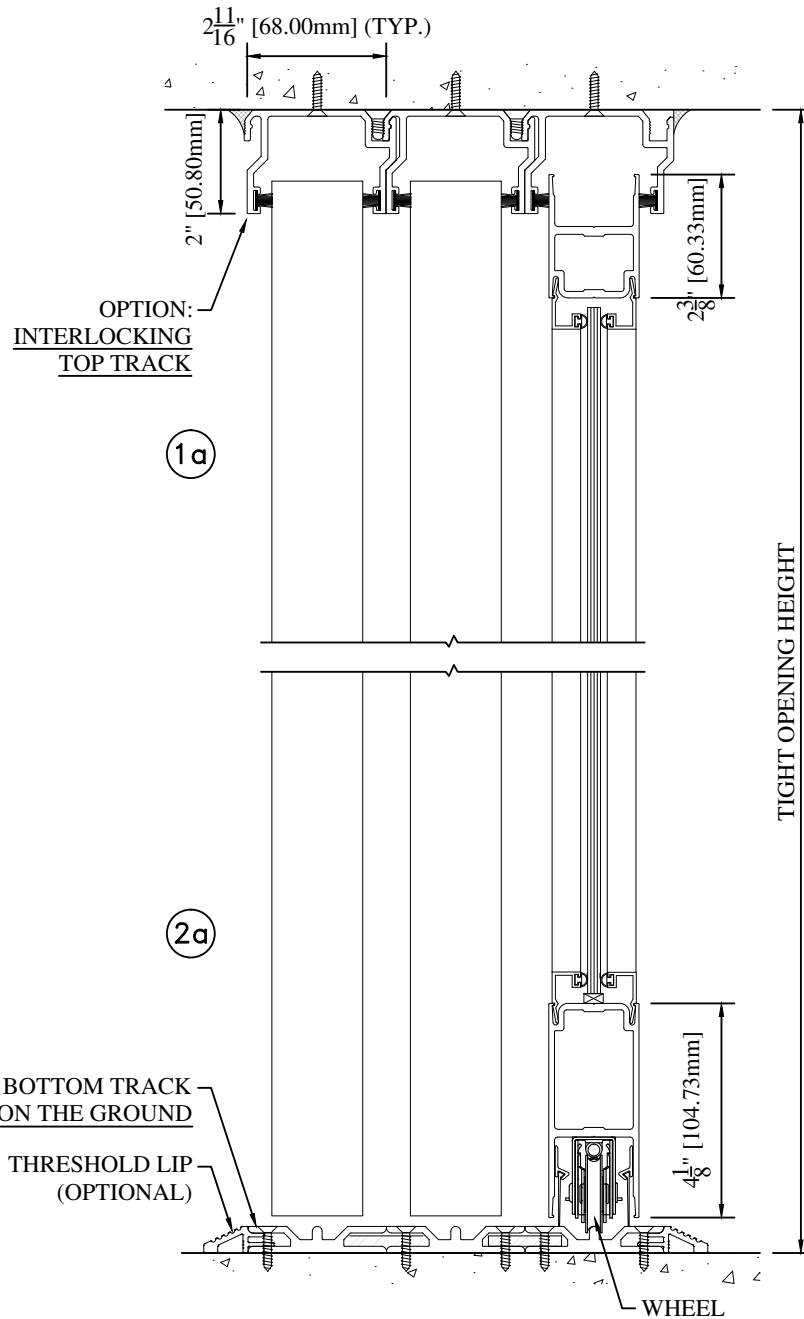


**WINDSPEC** INC.  
MANUFACTURERS OF HIGH PERFORMANCE 'WINDSPEC' WINDOWS  
ALUMINUM ENTRANCE SYSTEMS AND ARCHITECTURAL PANELS  
1310 CREDITSTONE RD, CONCORD, ONTARIO L4K 5T7  
Telephone (905) 738-8311 Fax (905) 738-6188

FEBRUARY 2017

# 200Series SLIDING DOOR

## MULTI TRACK STACKING SLIDERS

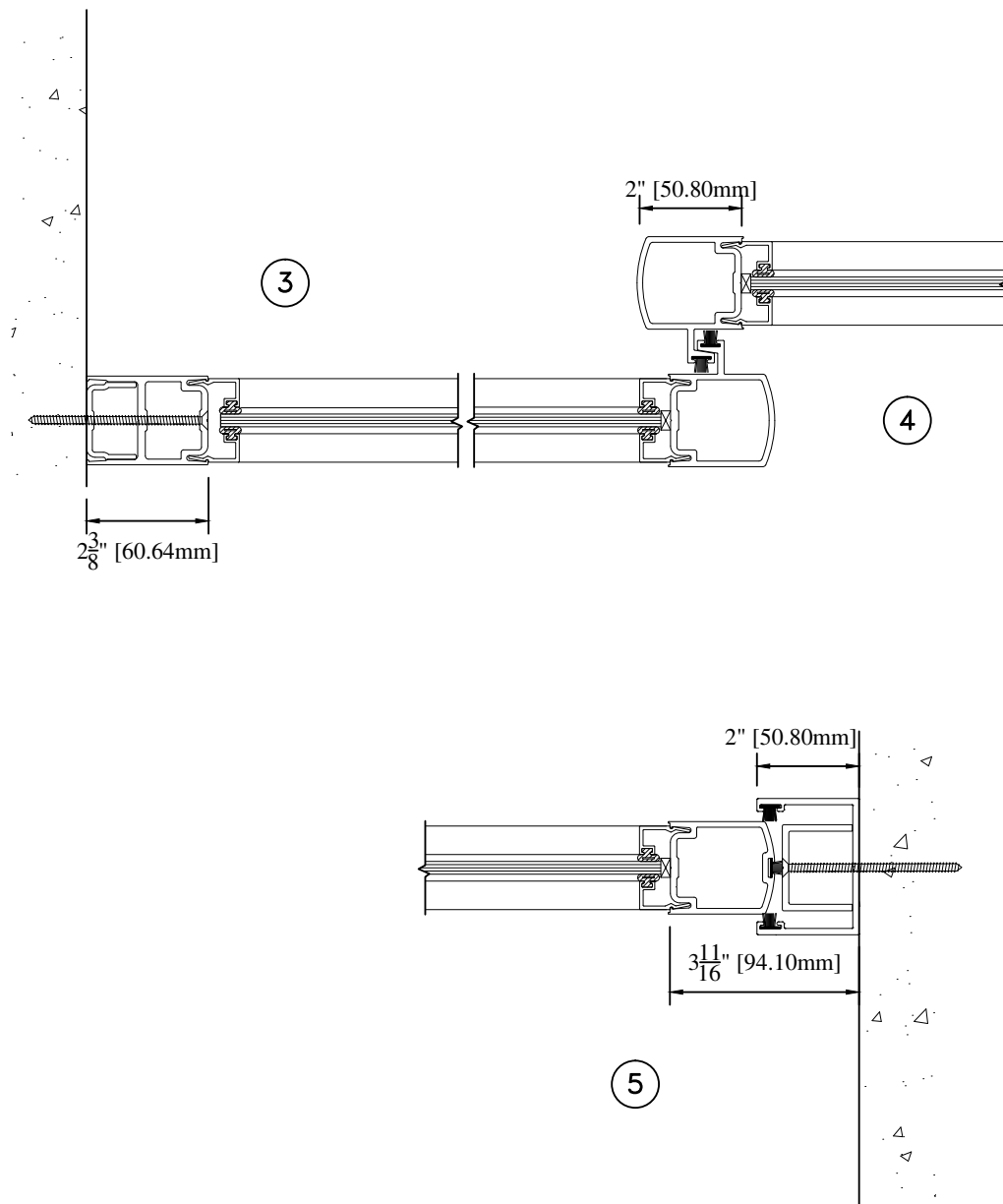


**WINDSPEC** INC.  
MANUFACTURERS OF HIGH PERFORMANCE 'WINDSPEC' WINDOWS  
ALUMINUM ENTRANCE SYSTEMS AND ARCHITECTURAL PANELS  
1310 CREDITSTONE RD, CONCORD, ONTARIO L4K 5T7  
Telephone (905) 738-8311 Fax (905) 738-6188

FEBRUARY 2017

# 200Series SLIDING DOOR

## MULTI TRACK STACKING SLIDERS

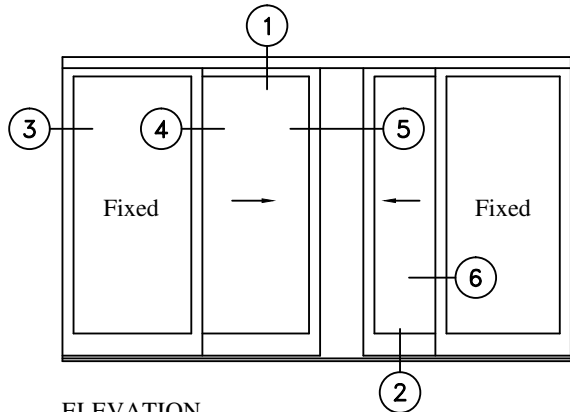


**WINDSPEC** INC.  
MANUFACTURERS OF HIGH PERFORMANCE 'WINDSPEC' WINDOWS  
ALUMINUM ENTRANCE SYSTEMS AND ARCHITECTURAL PANELS  
1310 CREDITSTONE RD, CONCORD, ONTARIO L4K 5T7  
Telephone (905) 738-8311 Fax (905) 738-6188

FEBRUARY 2017

# 200Series SLIDING DOOR

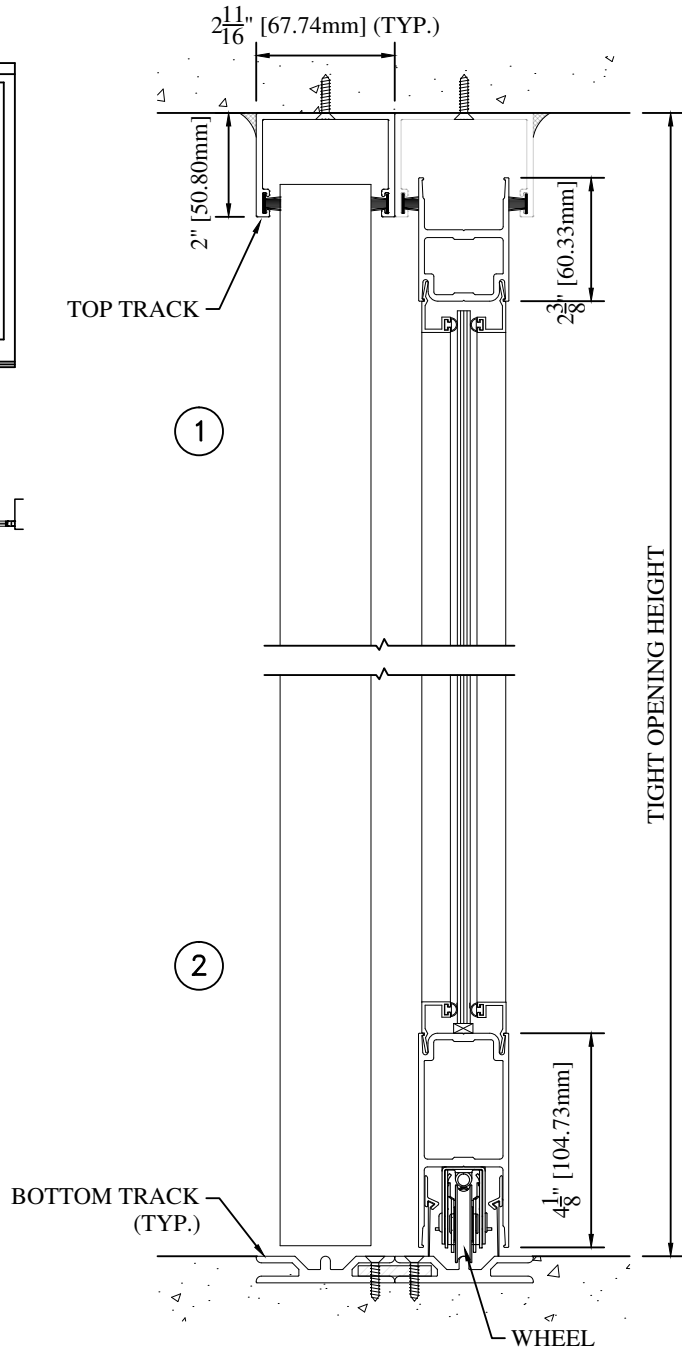
## BI-PARTING SLIDERS



ELEVATION



PLAN

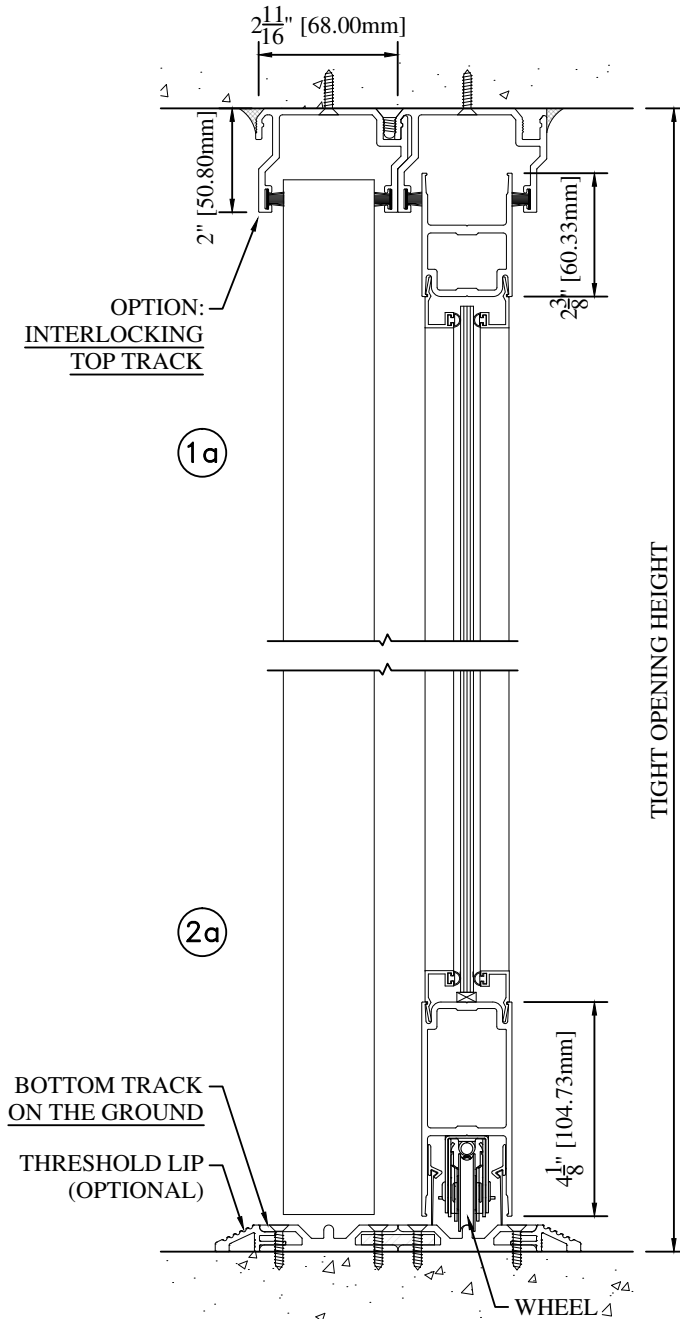


**WINDSPEC** INC.  
 MANUFACTURERS OF HIGH PERFORMANCE 'WINDSPEC' WINDOWS  
 ALUMINUM ENTRANCE SYSTEMS AND ARCHITECTURAL PANELS  
 1310 CREDITSTONE RD, CONCORD, ONTARIO L4K 5T7  
 Telephone (905) 738 -8311 Fax (905) 738 - 6188

FEBRUARY 2017

# 200Series SLIDING DOOR

## BI-PARTING SLIDERS

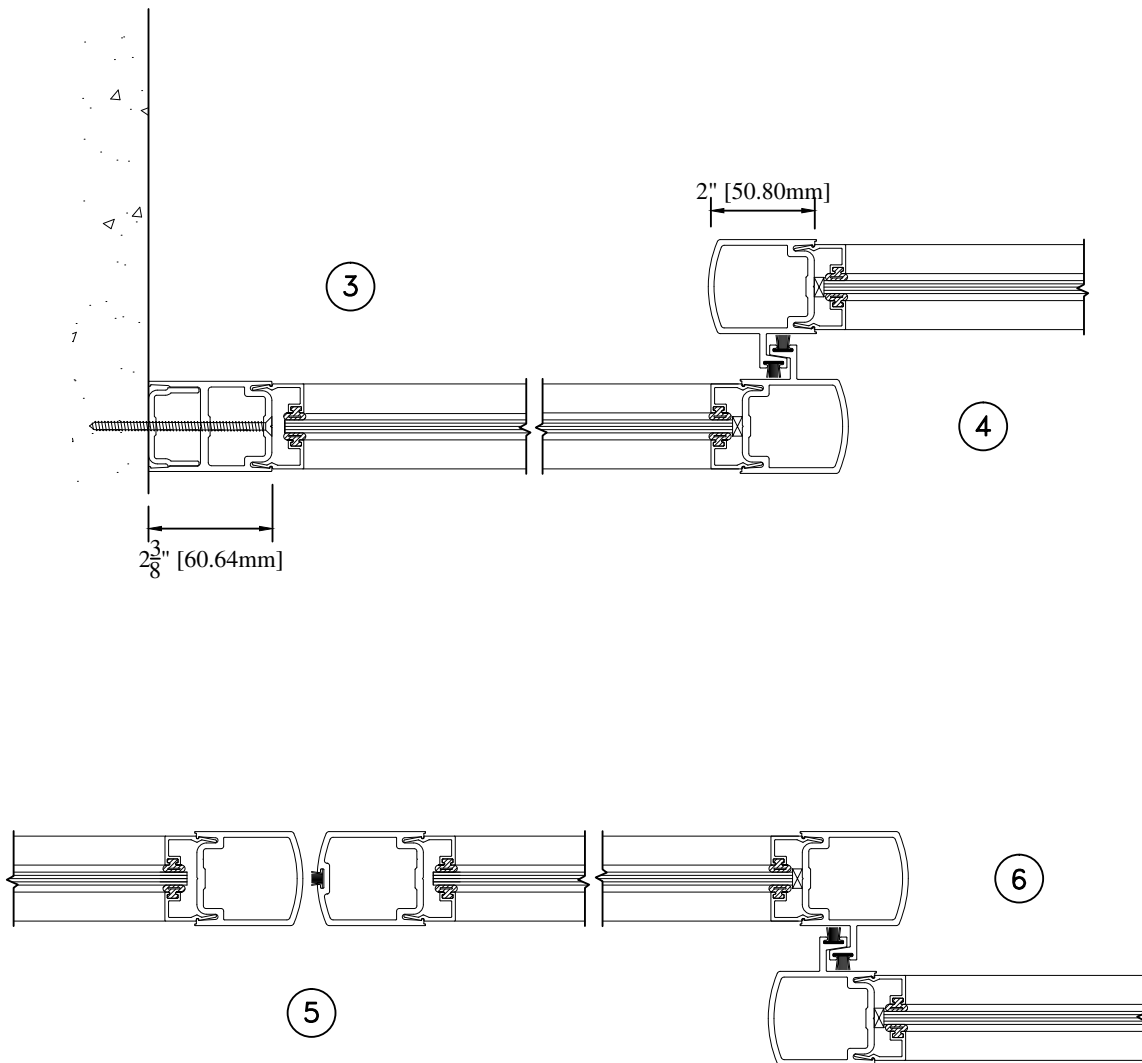


**WINDSPEC** INC.  
MANUFACTURERS OF HIGH PERFORMANCE 'WINDSPEC' WINDOWS  
ALUMINUM ENTRANCE SYSTEMS AND ARCHITECTURAL PANELS  
1310 CREDITSTONE RD, CONCORD, ONTARIO L4K 5T7  
Telephone (905) 738 -8311 Fax (905) 738 - 6188

FEBRUARY 2017

# 200Series SLIDING DOOR

## BI-PARTING SLIDERS

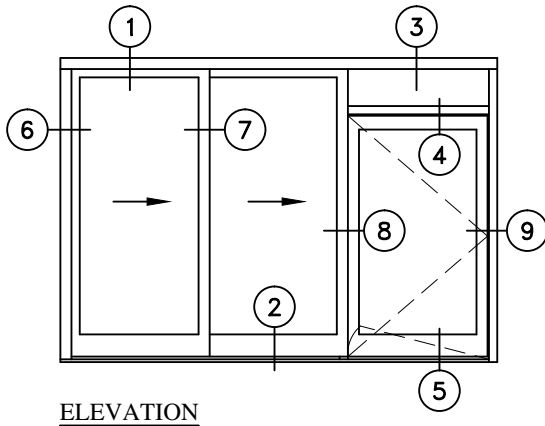


**WINDSPEC** INC.  
MANUFACTURERS OF HIGH PERFORMANCE 'WINDSPEC' WINDOWS  
ALUMINUM ENTRANCE SYSTEMS AND ARCHITECTURAL PANELS  
1310 CREDITSTONE RD, CONCORD, ONTARIO L4K 5T7  
Telephone (905) 738 -8311 Fax (905) 738 - 6188

FEBRUARY 2017

# 200Series SLIDING DOOR

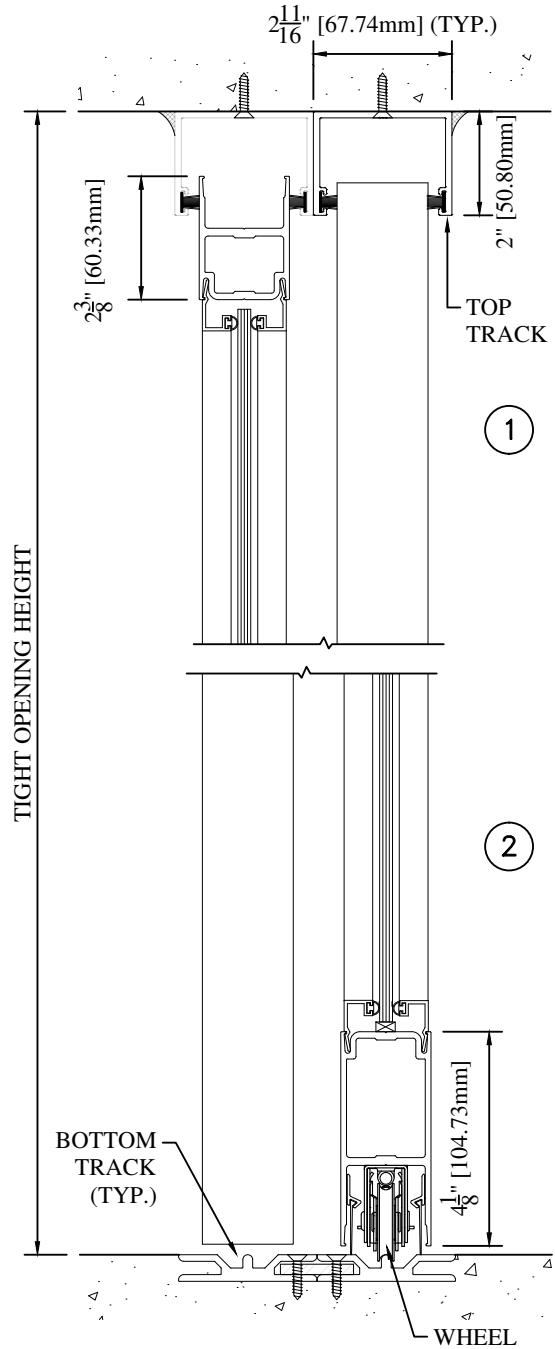
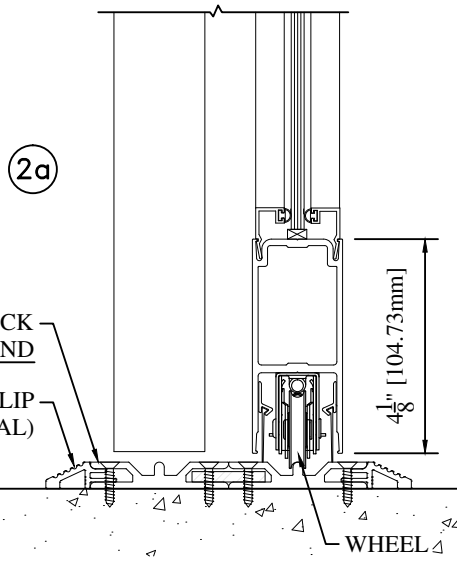
## SLIDING PANELS WITH A SWING DOOR



ELEVATION



PLAN

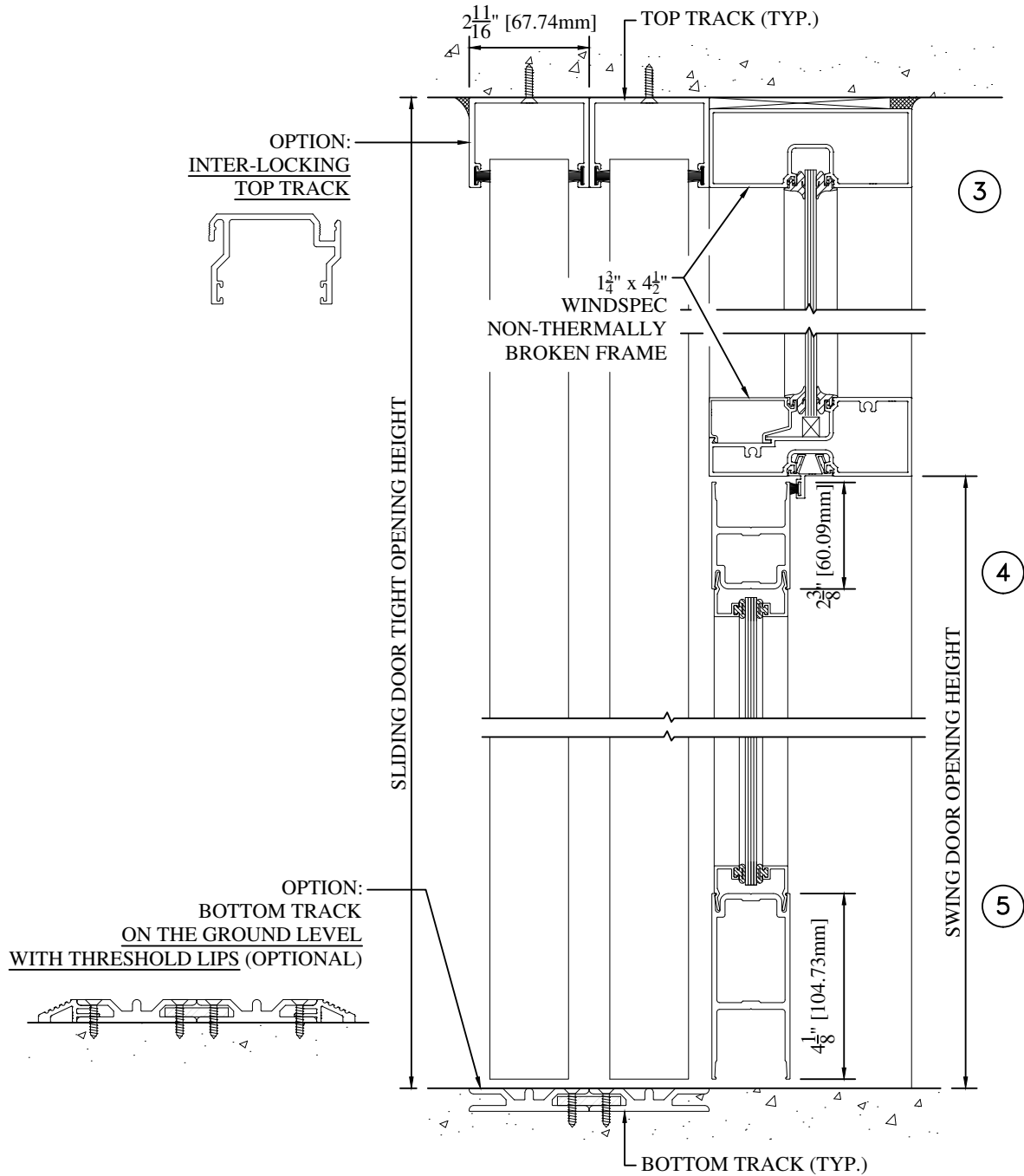


**WINDSPEC INC.**  
 MANUFACTURERS OF HIGH PERFORMANCE 'WINDSPEC' WINDOWS  
 ALUMINUM ENTRANCE SYSTEMS AND ARCHITECTURAL PANELS  
 1310 CREDITSTONE RD, CONCORD, ONTARIO L4K 5T7  
 Telephone (905) 738-8311 Fax (905) 738-6188

FEBRUARY 2017

# 200Series SLIDING DOOR

## SLIDING PANELS WITH A SWING DOOR

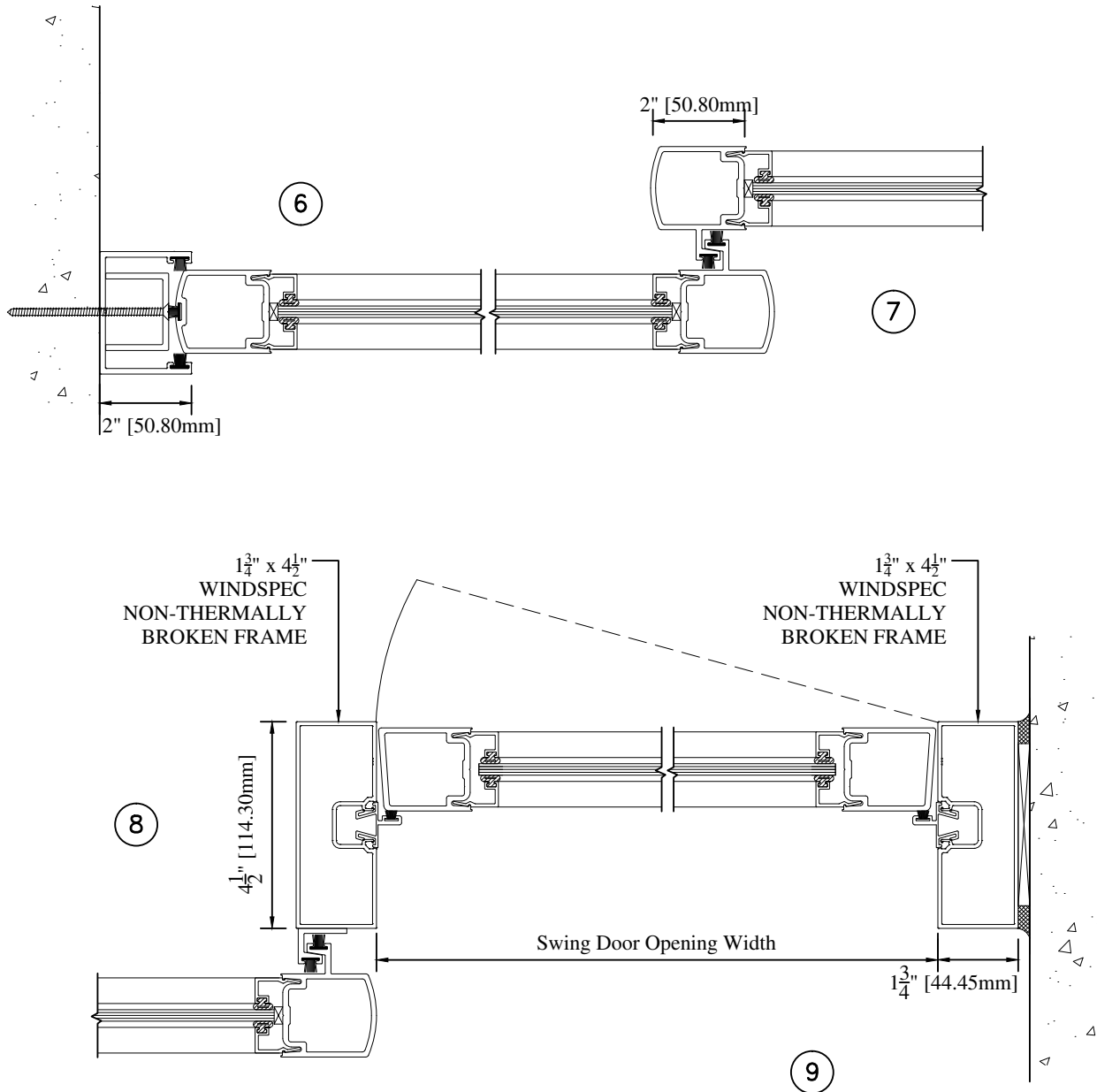


**WINDSPEC** INC.  
MANUFACTURERS OF HIGH PERFORMANCE 'WINDSPEC' WINDOWS  
ALUMINUM ENTRANCE SYSTEMS AND ARCHITECTURAL PANELS  
1310 CREDITSTONE RD, CONCORD, ONTARIO L4K 5T7  
Telephone (905) 738-8311 Fax (905) 738-6188

FEBRUARY 2017

# 200Series SLIDING DOOR

## SLIDING PANELS WITH A SWING DOOR



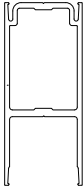
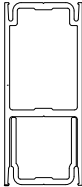
**WINDSPEC** INC.

MANUFACTURERS OF HIGH PERFORMANCE 'WINDSPEC' WINDOWS  
ALUMINUM ENTRANCE SYSTEMS AND ARCHITECTURAL PANELS  
1310 CREDITSTONE RD, CONCORD, ONTARIO L4K 5T7  
Telephone (905) 738-8311 Fax (905) 738-6188

FEBRUARY 2017

# 200Series SLIDING DOOR

## TOP RAILS, MID-RAILS & BOTTOM RAILS OPTIONS

Available Sizes	Top / Bottom Rails 	Intermediate Rails 
1"		*
1 $\frac{3}{4}$ "		*
2 $\frac{3}{8}$ "	*	*
4 $\frac{1}{8}$ "	*	*
5 $\frac{1}{2}$ "	*	*
7"	*	*
8"	*	*
10"	*	*
12"	*	*



**WINDSPEC** INC.

MANUFACTURERS OF HIGH PERFORMANCE 'WINDSPEC' WINDOWS  
ALUMINUM ENTRANCE SYSTEMS AND ARCHITECTURAL PANELS  
1310 CREDITSTONE RD, CONCORD, ONTARIO L4K 5T7  
Telephone (905) 738 -8311 Fax (905) 738 - 6188

FEBRUARY 2017