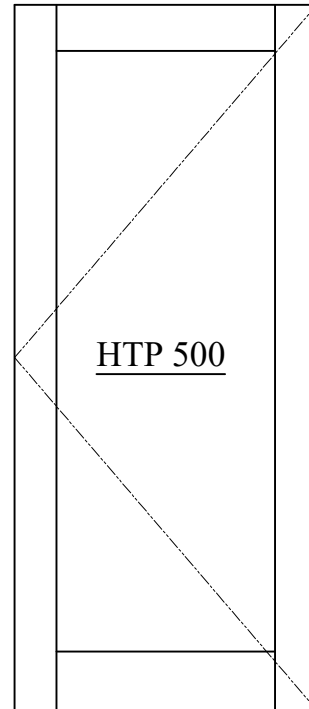
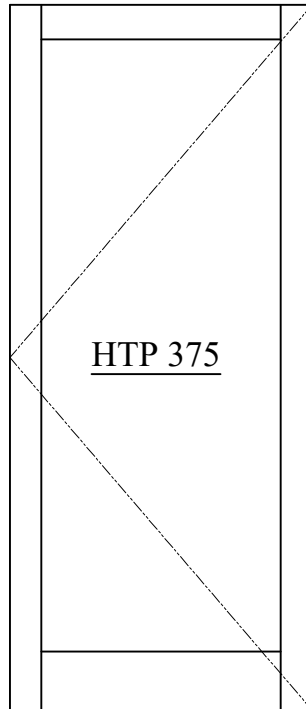
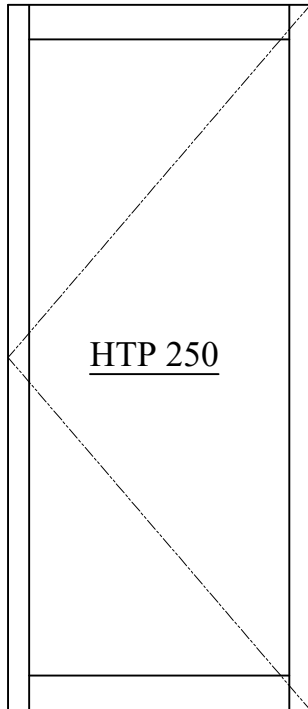


HTP DOOR



KEY FEATURES

- High Performance Thermal Break
- Accommodates 1" double or 1- $\frac{1}{2}$ " triple glazing units
- 2 $\frac{1}{2}$ ", 3 $\frac{3}{4}$ " and 5" stiles available
- 2 $\frac{1}{4}$ " thick door
- 1", 4 $\frac{1}{8}$ ", 5 $\frac{1}{2}$ ", 7" and 10" top/bottom/mid-rails available
- Compatible with curtain wall & 655 framing
- Available in anodized and painted finishes



WINDSPEC INC.
MANUFACTURERS OF HIGH PERFORMANCE 'WINDSPEC' WINDOWS
ALUMINUM ENTRANCE SYSTEMS AND ARCHITECTURAL PANELS
1310 CREDITSTONE RD, CONCORD, ONTARIO L4K 5T7
Telephone (905) 738 -8311 Fax (905) 738 - 6188

March 2026

HTP DOOR

TABLE OF CONTENTS

Door Ordering Information _____	003
Glazing Infill Options & Glass Size Calculation _____	004
Standard Hardware Locations _____	005
Narrow Stile in HTP 5500 _____	006
Medium Stile in HTP 5500 _____	008
Wide Stile in HTP 5500 _____	010
Narrow Stile in 655 Series Framing _____	012
Medium Stile in 655 Series Framing _____	014
Wide Stile in 655 Series Framing _____	016
Triple Glazed HTP Door in HTP 5500 _____	018
HTP Door Stiles and Horizontal Rails _____	020
Part List _____	021



HTP DOOR

DOOR ORDERING INFORMATION

Standard Hardware

- 3 Butt hinges (NRP) - 4 $\frac{1}{2}$ " x 4"
 - Stainless steel for exterior doors
- M.S. Lock (Adams Rite 1850)
 - Thumb turn
 - Cylinder
- Pair to have flush bolts on in-active
- Push bar / pull handle
- 6 $\frac{1}{2}$ " Thermal threshold
- Door sweep

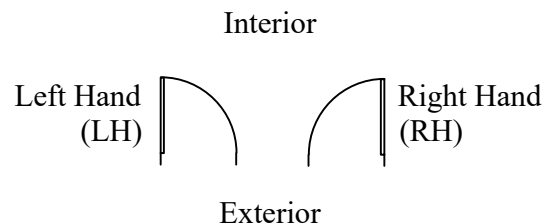
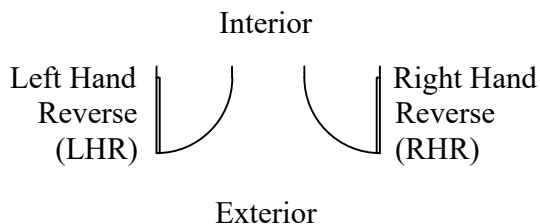
Standard Door Opening Size

- Windspec always refer to door opening size.
Not actual making size unless stated otherwise.

Standard Finishes

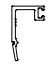



- Standard anodized doors:
 - Clear 0.0004 and #40 Bronze are typically stocked
 - Light bronze, champagne and black anodized are available
- Custom painted finishes are available

Door Swings



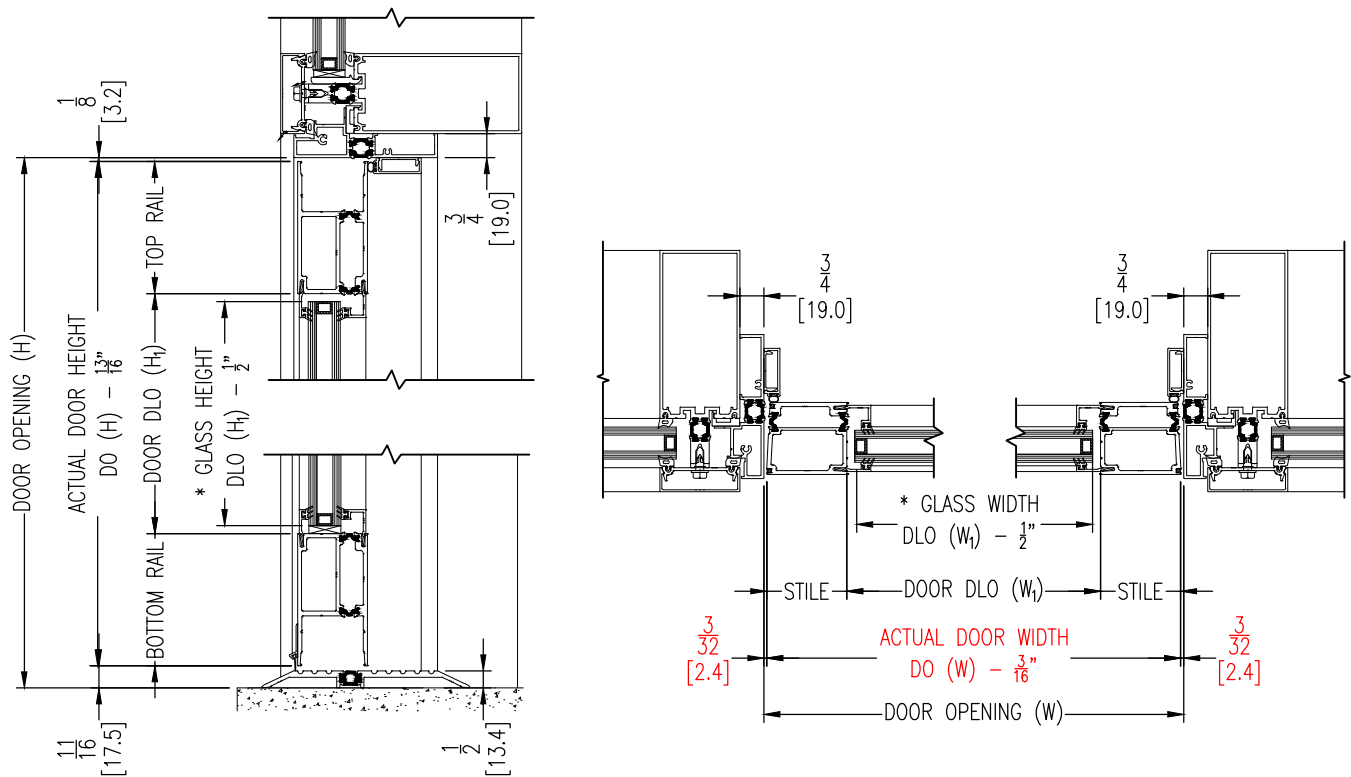
HTP DOOR

GLAZING INFILL OPTIONS

Glazing Options	Exterior Glass Stop	Interior Glass Stop
1" Glazing (Double Glazed)	 C-25012	 C-20027
1 1/2" Glazing (Triple Glazed)	 C-20027	 C-20027

GLASS SIZE CALCULATION

****Based on butt hinges and 1/2" threshold****

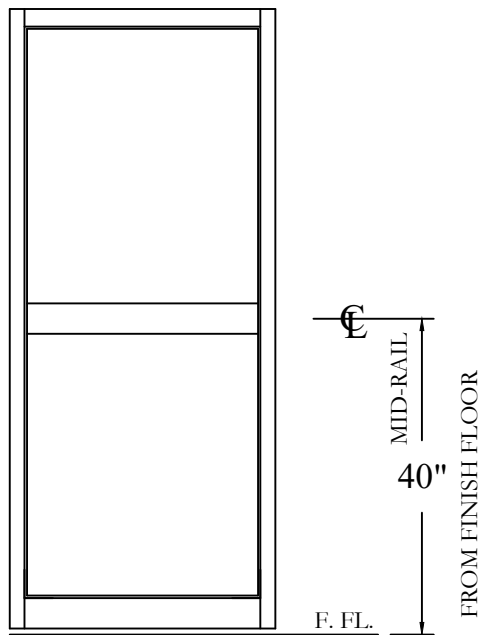
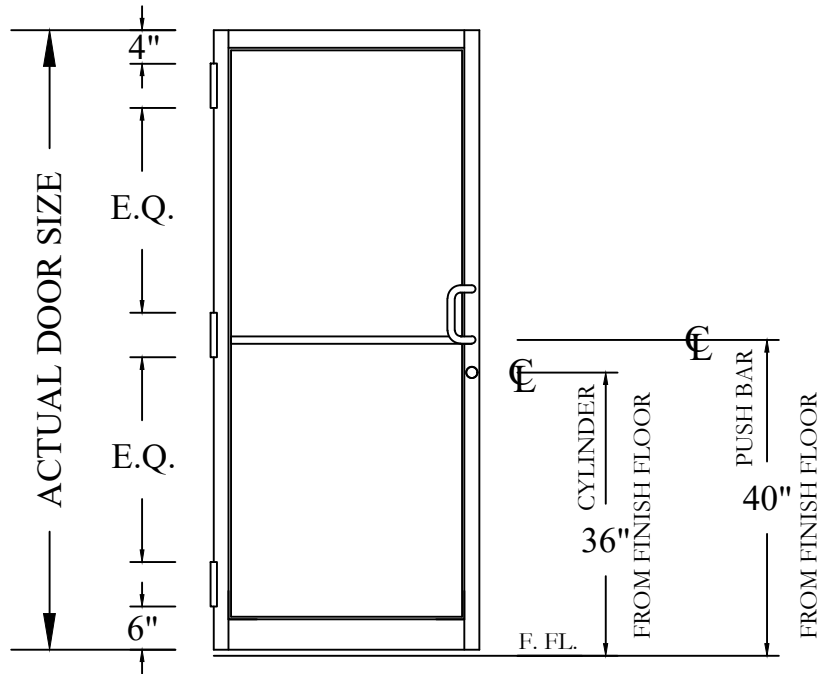


WINDSPEC INC.
 MANUFACTURERS OF HIGH PERFORMANCE 'WINDSPEC' WINDOWS
 ALUMINUM ENTRANCE SYSTEMS AND ARCHITECTURAL PANELS
 1310 CREDITSTONE RD, CONCORD, ONTARIO L4K 5T7
 Telephone (905) 738 - 8311 Fax (905) 738 - 6188

March 2026

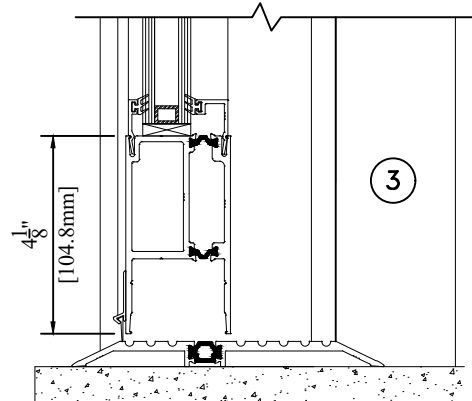
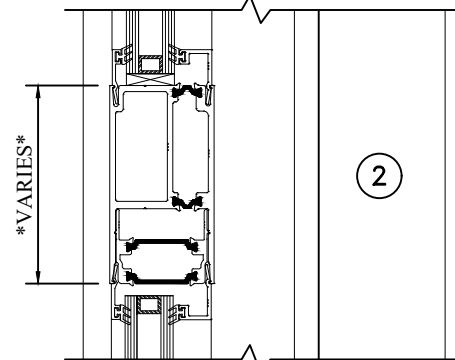
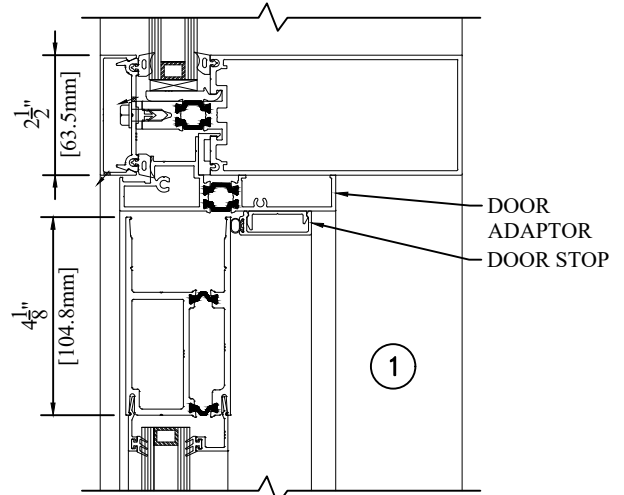
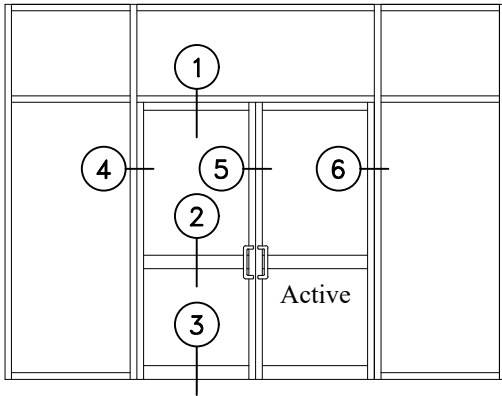
HTP DOOR

STANDARD HARDWARE LOCATIONS

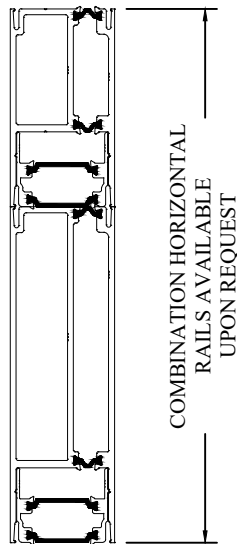


HTP DOOR

NARROW STILE IN HTP 5500



MID-RAIL
OPTION

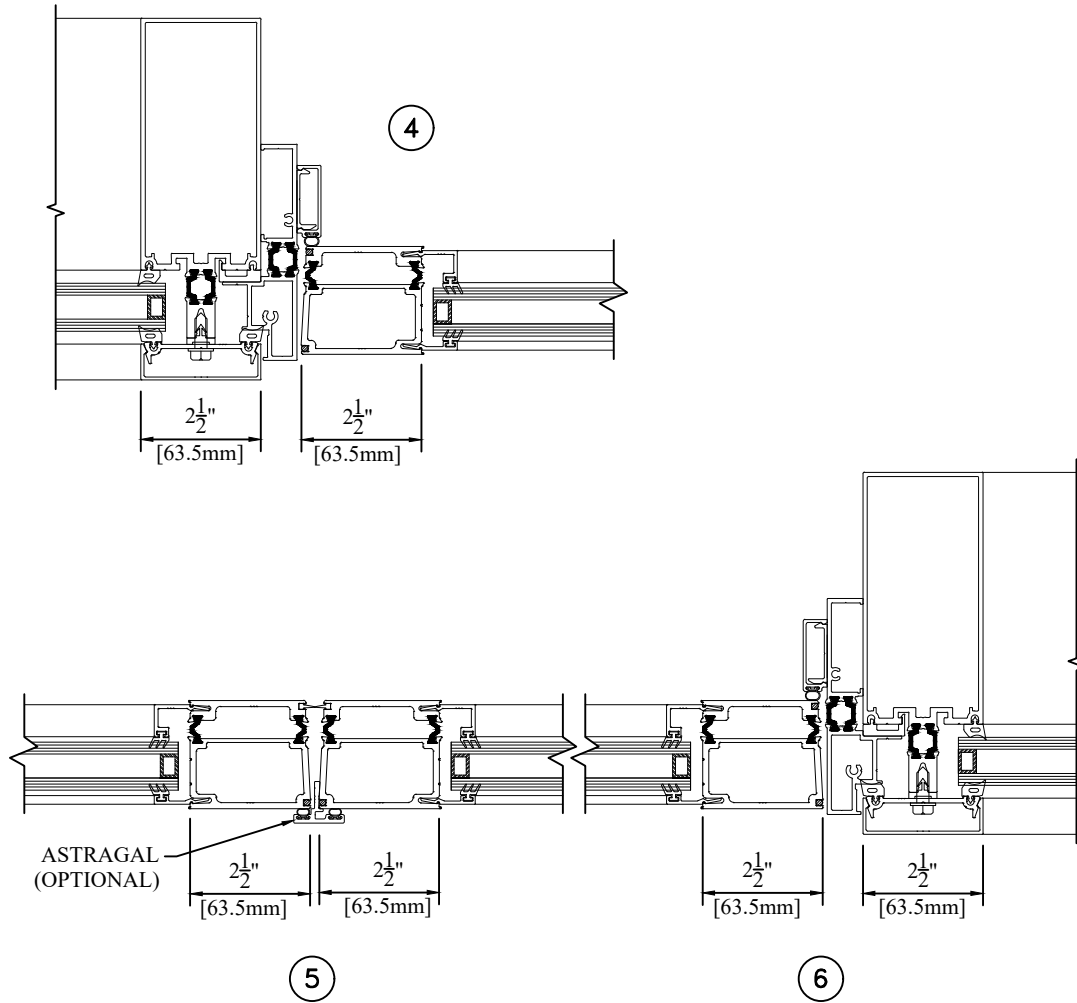


WINDSPEC INC.
MANUFACTURERS OF HIGH PERFORMANCE 'WINDSPEC' WINDOWS
ALUMINUM ENTRANCE SYSTEMS AND ARCHITECTURAL PANELS
1310 CREDITSTONE RD, CONCORD, ONTARIO L4K 5T7
Telephone (905) 738 -8311 Fax (905) 738 - 6188

March 2026

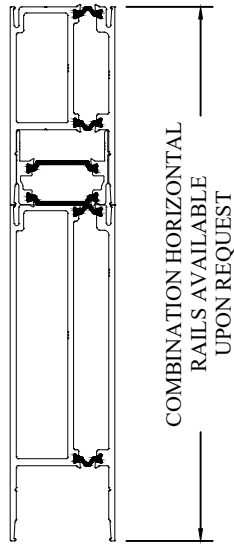
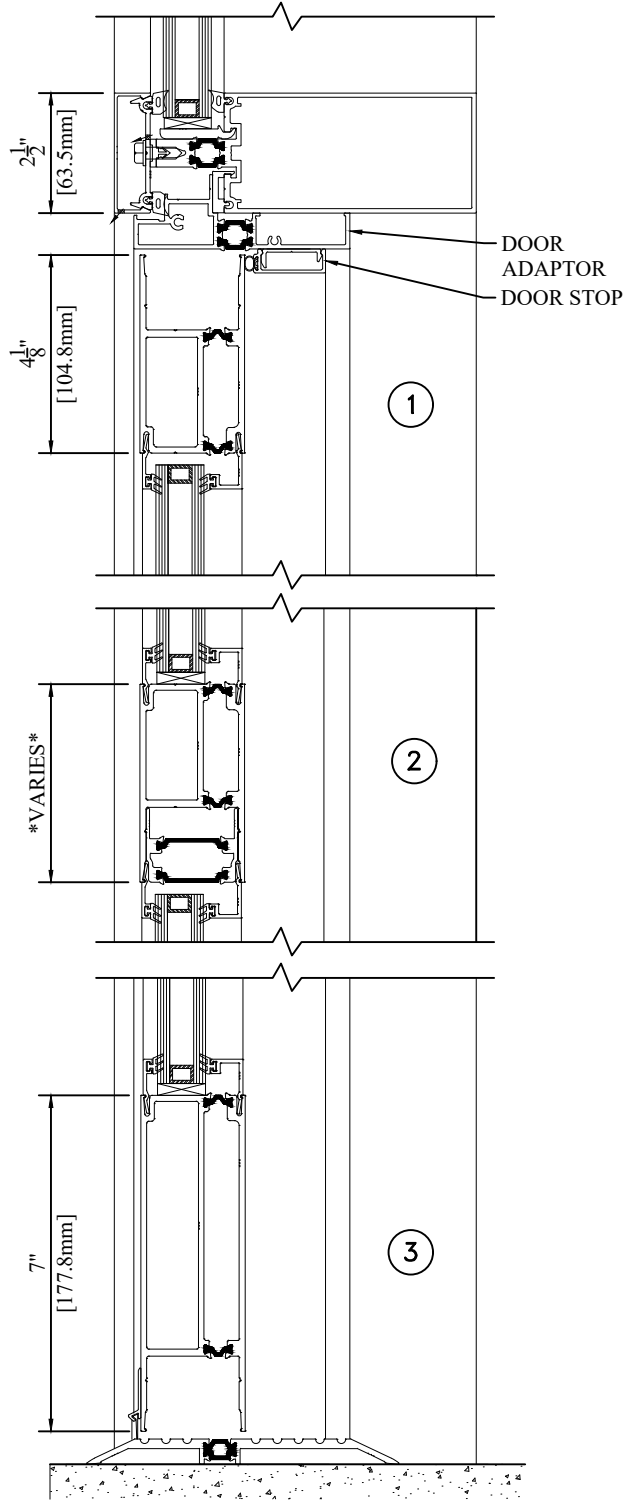
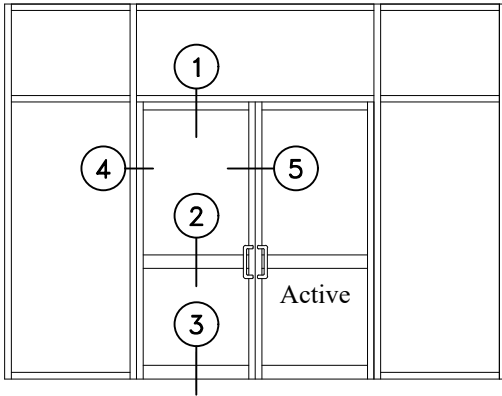
HTP DOOR

NARROW STILE IN HTP 5500



HTP DOOR

MEDIUM STILE IN HTP 5500



MID-RAIL
OPTION

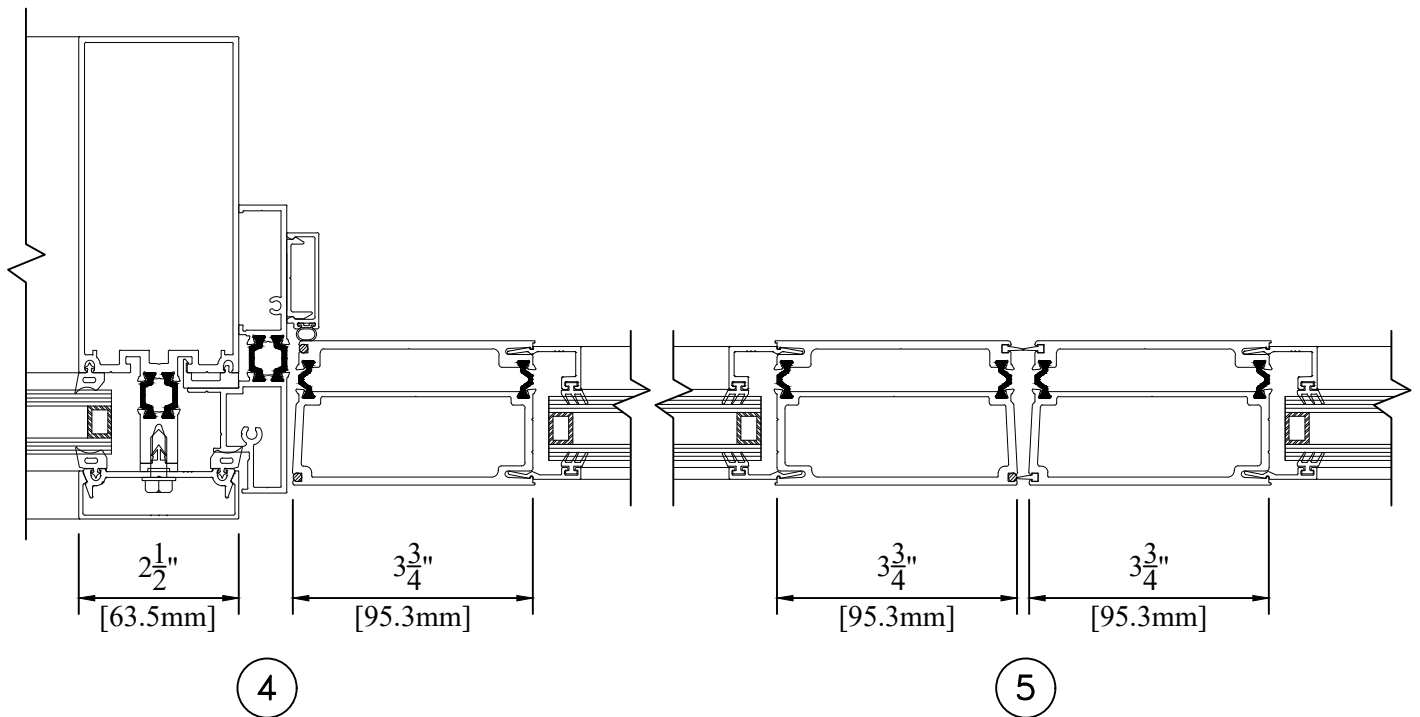


WINDSPEC INC.
MANUFACTURERS OF HIGH PERFORMANCE 'WINDSPEC' WINDOWS
ALUMINUM ENTRANCE SYSTEMS AND ARCHITECTURAL PANELS
1310 CREDITSTONE RD, CONCORD, ONTARIO L4K 5T7
Telephone (905) 738-8311 Fax (905) 738-6188

March 2026

HTP DOOR

MEDIUM STILE IN HTP 5500

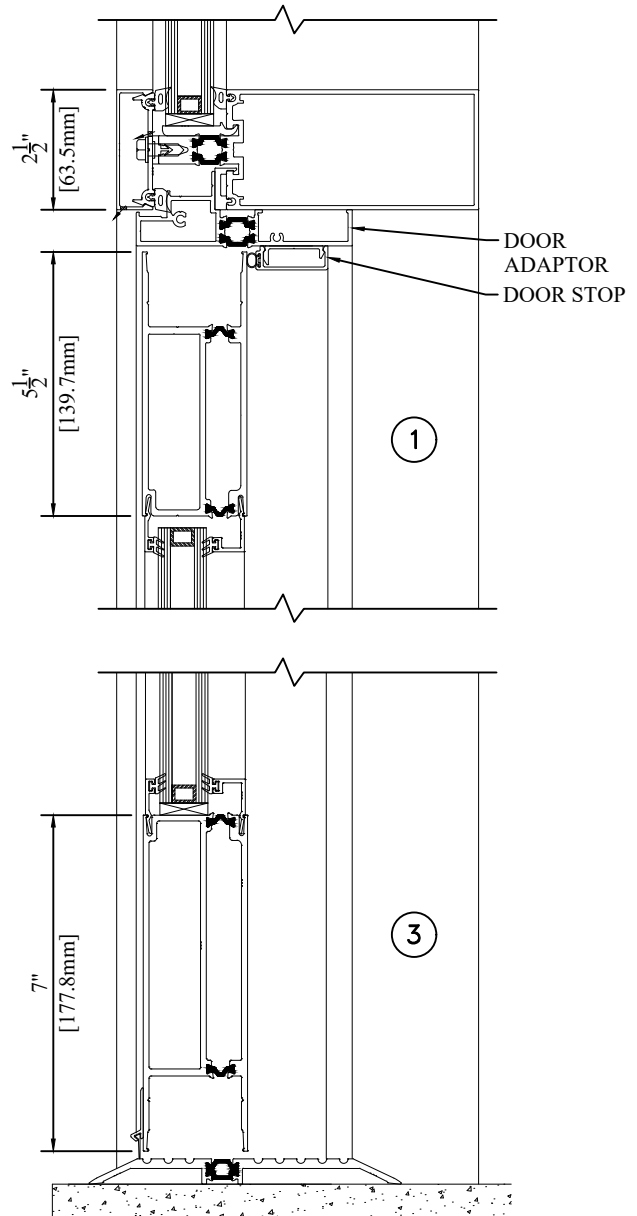
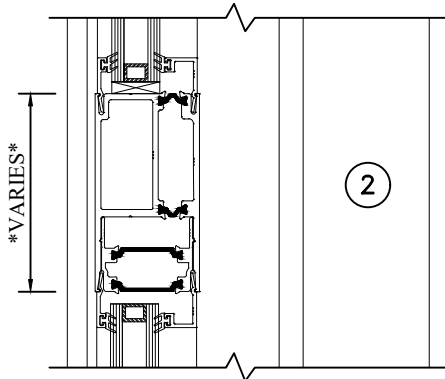
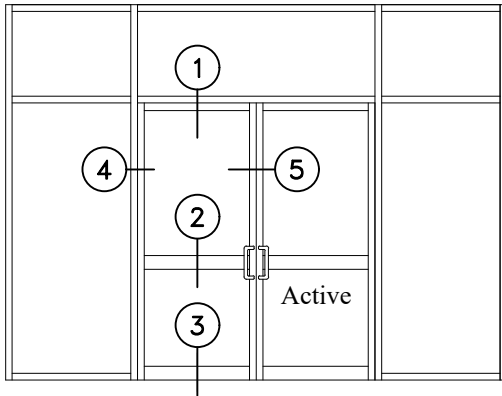


WINDSPEC INC.
MANUFACTURERS OF HIGH PERFORMANCE 'WINDSPEC' WINDOWS
ALUMINUM ENTRANCE SYSTEMS AND ARCHITECTURAL PANELS
1310 CREDITSTONE RD, CONCORD, ONTARIO L4K 5T7
Telephone (905) 738 -8311 Fax (905) 738 - 6188

March 2026

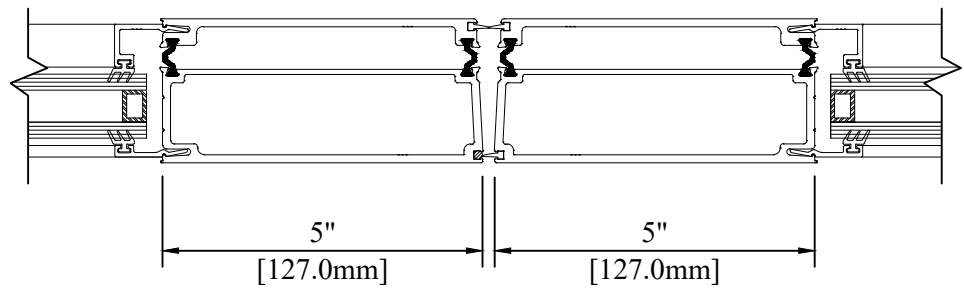
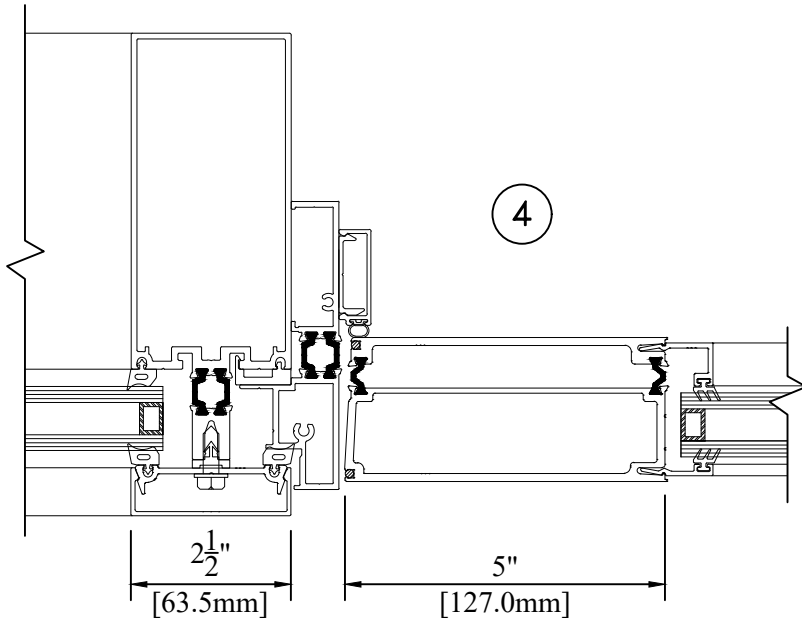
HTP DOOR

WIDE STILE IN HTP 5500



HTP DOOR

WIDE STILE IN HTP 5500



5

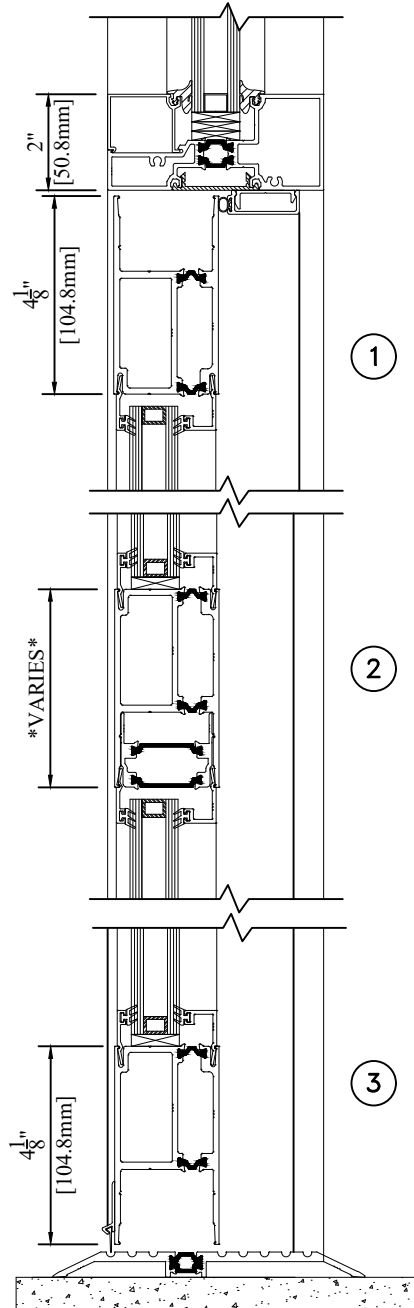
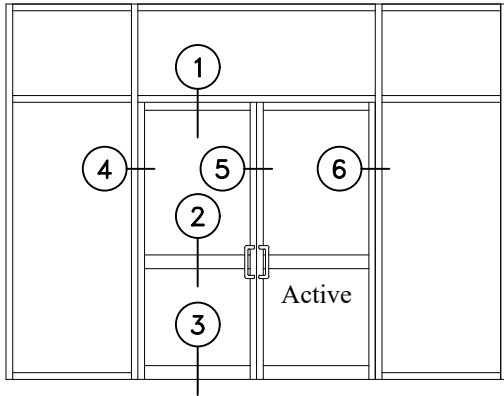


WINDSPEC INC.
MANUFACTURERS OF HIGH PERFORMANCE 'WINDSPEC' WINDOWS
ALUMINUM ENTRANCE SYSTEMS AND ARCHITECTURAL PANELS
1310 CREDITSTONE RD, CONCORD, ONTARIO L4K 5T7
Telephone (905) 738-8311 Fax (905) 738-6188

March 2026

HTP DOOR

NARROW STILE IN 655 SERIES

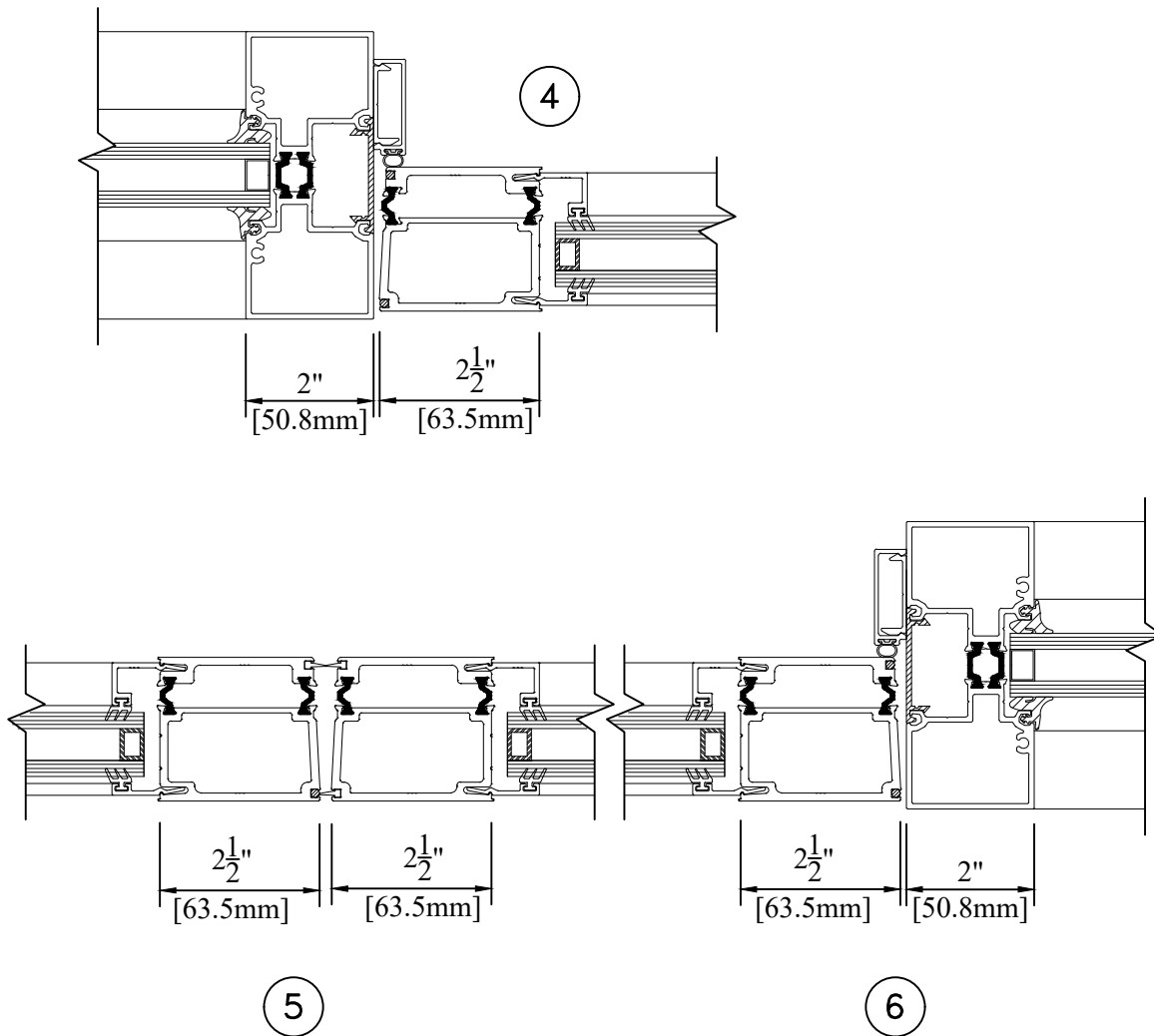


WINDSPEC INC.
MANUFACTURERS OF HIGH PERFORMANCE 'WINDSPEC' WINDOWS
ALUMINUM ENTRANCE SYSTEMS AND ARCHITECTURAL PANELS
1310 CREDITSTONE RD, CONCORD, ONTARIO L4K 5T7
Telephone (905) 738-8311 Fax (905) 738-6188

March 2026

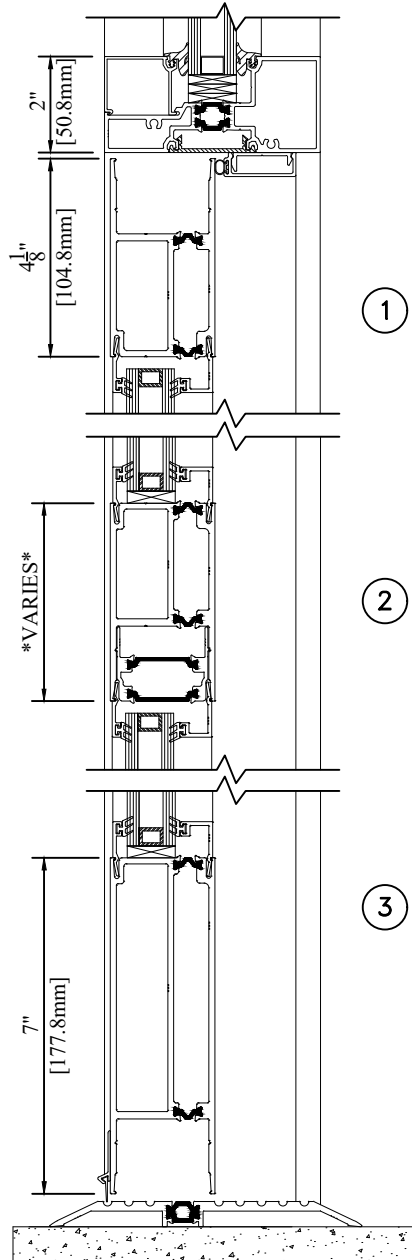
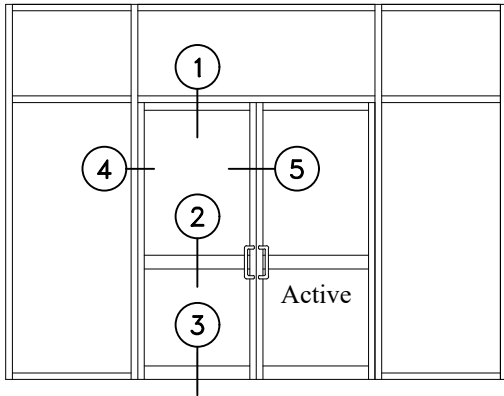
HTP DOOR

NARROW STILE IN 655 SERIES



HTP DOOR

MEDIUM STILE IN 655 SERIES

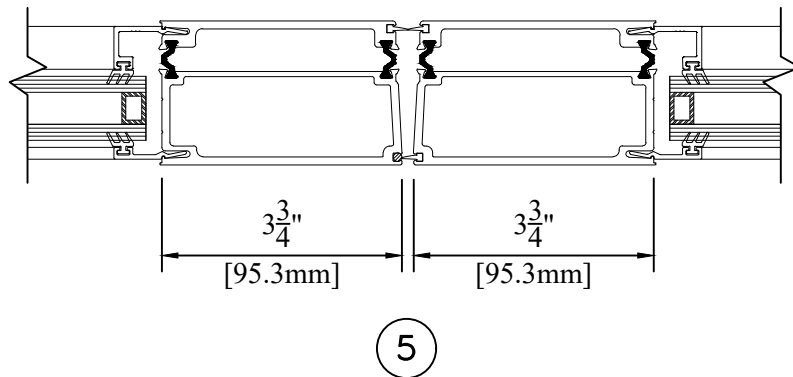
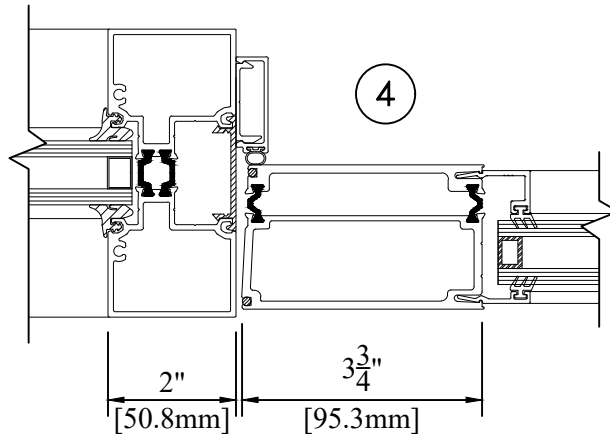


WINDSPEC INC.
MANUFACTURERS OF HIGH PERFORMANCE 'WINDSPEC' WINDOWS
ALUMINUM ENTRANCE SYSTEMS AND ARCHITECTURAL PANELS
1310 CREDITSTONE RD, CONCORD, ONTARIO L4K 5T7
Telephone (905) 738 - 8311 Fax (905) 738 - 6188

March 2026

HTP DOOR

MEDIUM STILE IN 655 SERIES

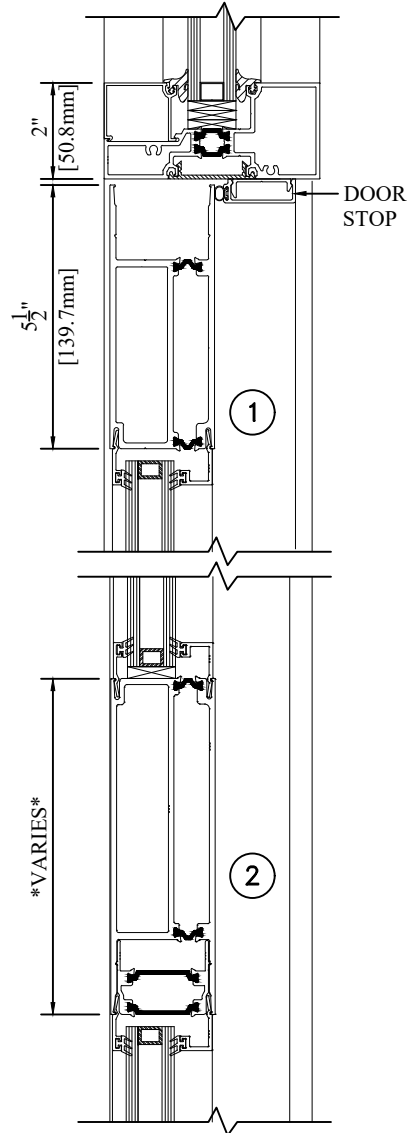
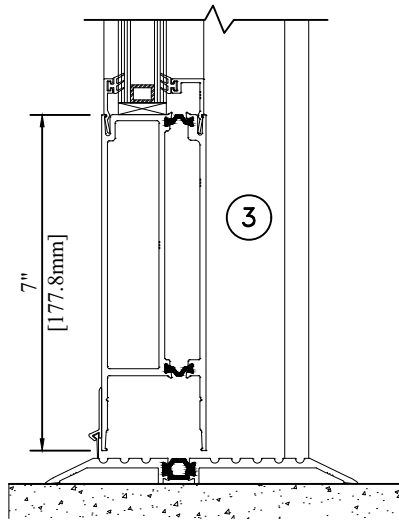
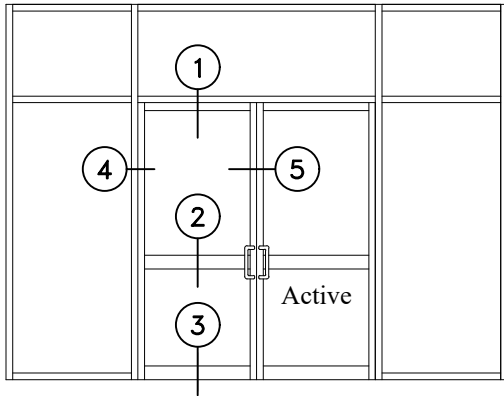


WINDSPEC INC.
MANUFACTURERS OF HIGH PERFORMANCE 'WINDSPEC' WINDOWS
ALUMINUM ENTRANCE SYSTEMS AND ARCHITECTURAL PANELS
1310 CREDITSTONE RD, CONCORD, ONTARIO L4K 5T7
Telephone (905) 738 - 8311 Fax (905) 738 - 6188

March 2026

HTP DOOR

WIDE STILE IN 655 SERIES

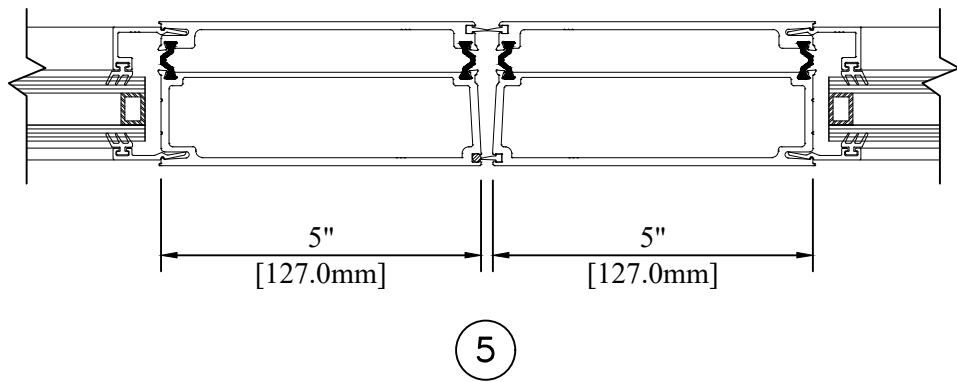
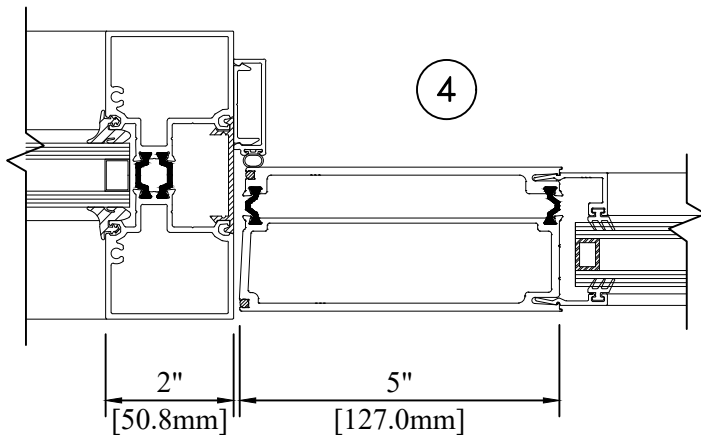


WINDSPEC INC.
MANUFACTURERS OF HIGH PERFORMANCE 'WINDSPEC' WINDOWS
ALUMINUM ENTRANCE SYSTEMS AND ARCHITECTURAL PANELS
1310 CREDITSTONE RD, CONCORD, ONTARIO L4K 5T7
Telephone (905) 738-8311 Fax (905) 738-6188

March 2026

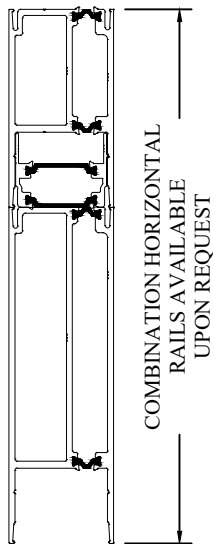
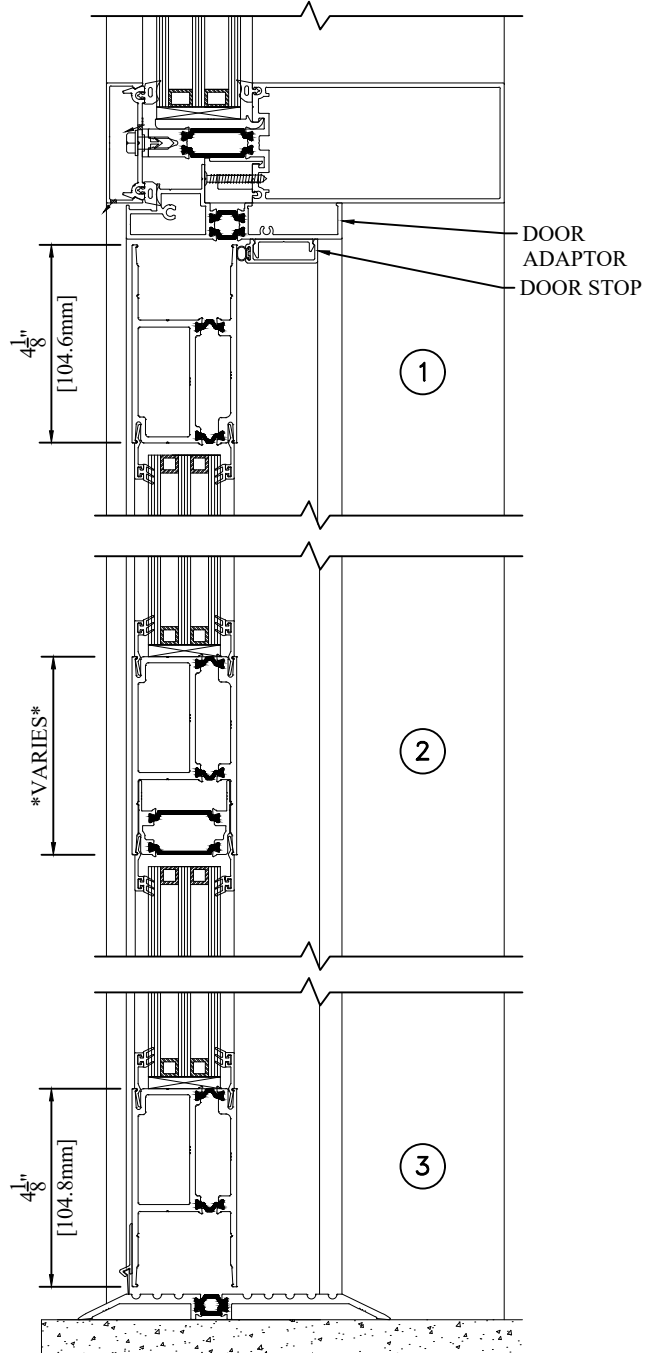
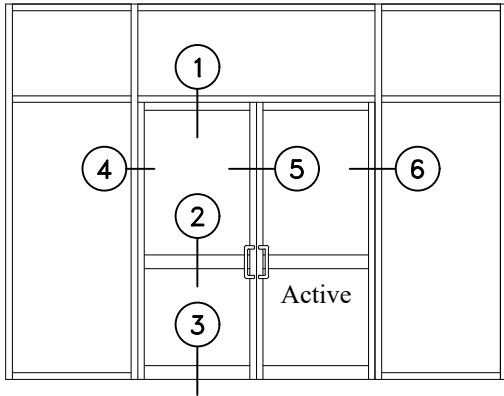
HTP DOOR

WIDE STILE IN 655 SERIES



HTP DOOR

TRIPLE GLAZED HTP DOOR IN HTP 5500

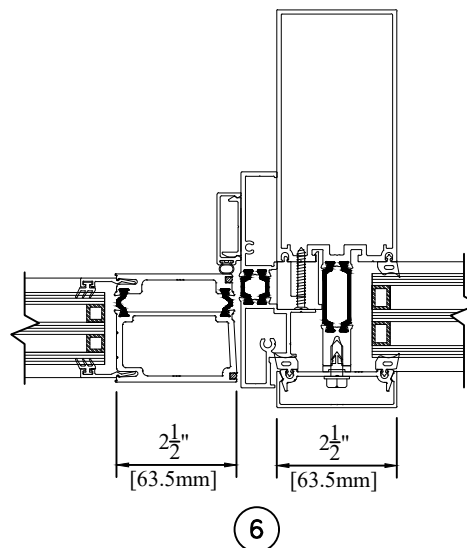
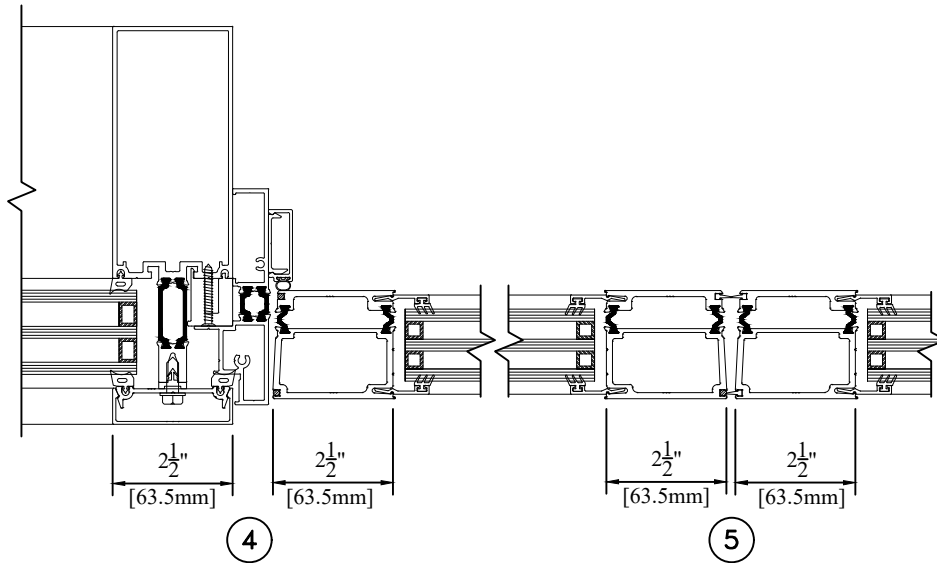


WINDSPEC INC.
MANUFACTURERS OF HIGH PERFORMANCE 'WINDSPEC' WINDOWS
ALUMINUM ENTRANCE SYSTEMS AND ARCHITECTURAL PANELS
1310 CREDITSTONE RD, CONCORD, ONTARIO L4K 5T7
Telephone (905) 738 -8311 Fax (905) 738 - 6188

March 2026

HTP DOOR

TRIPLE GLAZED HTP DOOR IN HTP 5500

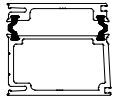
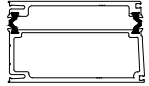
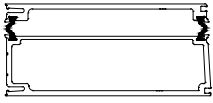



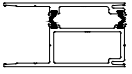
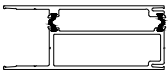
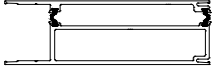
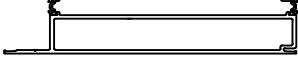
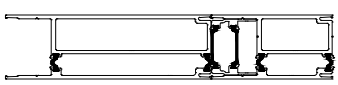
WINDSPEC INC.
MANUFACTURERS OF HIGH PERFORMANCE 'WINDSPEC' WINDOWS
ALUMINUM ENTRANCE SYSTEMS AND ARCHITECTURAL PANELS
1310 CREDITSTONE RD, CONCORD, ONTARIO L4K 5T7
Telephone (905) 738-8311 Fax (905) 738-6188

March 2026

HTP DOOR

HTP DOOR STILES & HORIZONTAL RAILS

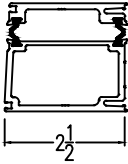
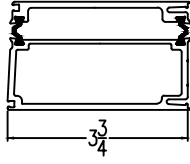
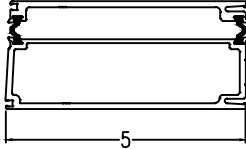

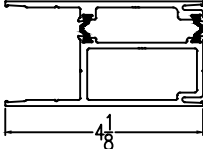
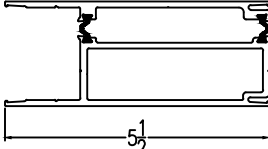
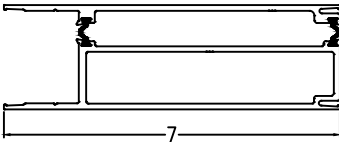
Vertical Stiles	Description
	HTP 250 Narrow Stile (2 1/2")
	HTP 375 Medium Stile (3 3/4")
	HTP 500 Wide Stile (5")

Horizontal Rails	Top/Bottom Rail	Mid Rail
1" 		*
4 1/8" 	*	*
5 1/2" 	*	*
7" 	*	*
10" 	*	*
11 1/8" 	*	*
Custom Combinations Available		



HTP DOOR

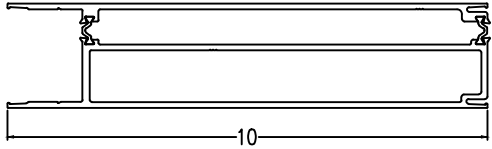
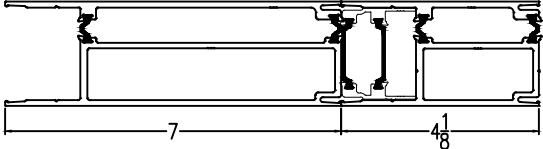
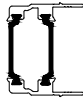




PART LIST

Part Number	Description	Profile
CA-25001	2 $\frac{1}{2}$ " (63.5mm) HTP 250 Narrow Stile	
CA-25007	3 $\frac{3}{4}$ " (95.3mm) HTP 375 Medium Stile	
CA-25002	5" (127mm) HTP 500 Wide Stile	
CA-25006	1" (25.4mm) HTP Horizontal Rail (Mid Rail)	
CA-25003	4 $\frac{1}{8}$ " (104.8mm) HTP Horizontal Rail (Top/Mid/Bottom)	
CA-25005	5 $\frac{1}{2}$ " (139.7mm) HTP Horizontal Rail (Top/Mid/Bottom)	
CA-25004	7" (177.8mm) HTP Horizontal Rail (Top/Mid/Bottom)	



HTP DOOR

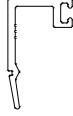


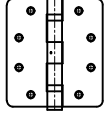
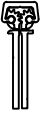
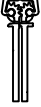
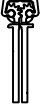
PART LIST

Part Number	Description	Profile
CA-25040	10" (254mm) HTP Horizontal Rail (Top/Mid/Bottom)	
Varies	11 1/8" (282.6mm) HTP Horizontal Rail (Top/Mid/Bottom)	
CA-25011	MID RAIL ADAPTOR	
C-45010	Door Stop Base	
C-65006	1/2" Door Stop Cap	
C-65007	5/8" Door Stop Cap	
H-25001	Shear Bracket for HTP Door 1.25"	



HTP DOOR

PART LIST

Part Number	Description	Profile
C-25012	1" Glazing Stop (DG) (Exterior)	
C-20027	1" Glazing Stop (DG-Int.) 1 1/2" Glazing Stop (TG)	
CA-25061	HTP Threshold (6 1/2" x 1/2")	
HD-0591-CLR HD-0591-BRZ HD-0591-BLK	S.S Butt Hinge 4 1/2" x 4"	
HD-0030-CLR HD-0030-BRZ HD-0030-BLK	83" Standard Continuous Hinge	
HD-0031-CLR HD-0031-BRZ HD-0031-BLK	95" Standard Continuous Hinge	
HD-0033-CLR HD-0033-BRZ HD-0033-BLK	120" Standard Continuous Hinge	

* For more information about hardware, please contact customer service.

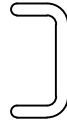
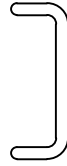
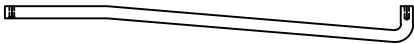
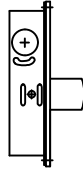
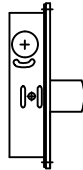
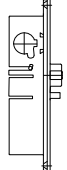


WINDSPEC INC.
 MANUFACTURERS OF HIGH PERFORMANCE 'WINDSPEC' WINDOWS
 ALUMINUM ENTRANCE SYSTEMS AND ARCHITECTURAL PANELS
 1310 CREDITSTONE RD, CONCORD, ONTARIO L4K 5T7
 Telephone (905) 738 -8311 Fax (905) 738 - 6188

March 2026

HTP DOOR

PART LIST

Part Number	Description	Profile
HD-0053-CLR HD-0053-BRZ HD-0053-BLK HD-0053-SET-xxx-B/B	8 ½" Offset Pull Handle	
HD-0050-CLR HD-0050-BRZ HD-0050-BLK HD-0050-SET-xxx-B/B	12" Offset Pull Handle	
HD-0052-xxx specify door opening, hinge type and finish	Round Push Bar 1" dia.	
HD-0009-ST	AR1850, MS Dead Lock Short Throw, 1 ⅛" Backset	
HD-0232-ST	AR1853, MS Dead Lock Short Throw, 1 ½" Backset	
HD-0010-LHR/RHR 1 ⅛" Backset	Dead Latch Lock AR 4510	
HD-0010-15-LHR/RHR 1 ½" Backset		

* For more information about hardware, please contact customer service.
* -xxx : Finished color - Clear or Bronze or Black Anodized



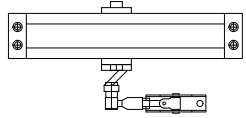
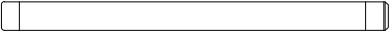
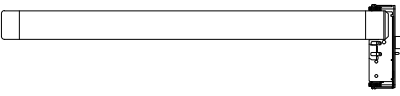
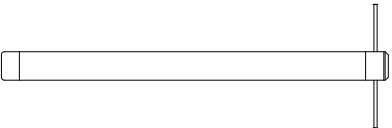
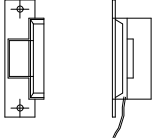


WINDSPEC INC.
MANUFACTURERS OF HIGH PERFORMANCE 'WINDSPEC' WINDOWS
ALUMINUM ENTRANCE SYSTEMS AND ARCHITECTURAL PANELS
1310 CREDITSTONE RD, CONCORD, ONTARIO L4K 5T7
Telephone (905) 738 -8311 Fax (905) 738 - 6188

March 2026

HTP DOOR

PART LIST

Part Number	Description	Profile
HD-0011 (Pull Side) HD-0011-15-xxx (Push Side)	Cylinder for MS Lock	
HD-0012-xxx (Pull Side) HD-0012-15-xxx (Push Side)	Thumb Turn	
HD-0020-xxx	Door Closer Thinline (Falcon) SC61	
HD-0081-xxx & specify door width	Standard Rim Exit Device FC 3790	
HD-0061-LHR/RHR-xxx & specify door width	Mortise Exit Device AR8400	
HD-0080-xxx & specify door width	Concealed Vertical Rod Exit Device (FC 3690)	
HD-0062-xxx & specify door width	Concealed Vertical Rod Exit Device (AR 8600)	
HD-0074 (Bevel) HD-0074-P (Radius)	Electric Strike AR 7400	

* For more information about hardware, please contact customer service.

* -xxx : Finished color - Clear or Bronze or Black Anodized

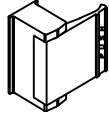

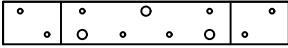
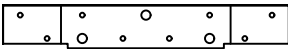
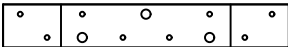
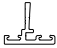



WINDSPEC INC.
 MANUFACTURERS OF HIGH PERFORMANCE 'WINDSPEC' WINDOWS
 ALUMINUM ENTRANCE SYSTEMS AND ARCHITECTURAL PANELS
 1310 CREDITSTONE RD, CONCORD, ONTARIO L4K 5T7
 Telephone (905) 738 -8311 Fax (905) 738 - 6188

March 2026

HTP DOOR

PART LIST

Part Number	Description	Profile
HD-0016-HTP-LHR/RHR-xxx	Push Paddle Activator AR 4590	
HD-0017-xxx	1/4" Flush Bolt	
HD-0007	Back Up Plate for Butt Hinges	
HD-0008	Back Up Plate for Butt Hinges	
H-25002	Back Up Plate for Butt Hinges on HTP Door Stile	
C-25017	Astragal	
C-20045	Door Sweep	

* For more information about hardware, please contact customer service.

* -xxx : Finished color - Clear or Bronze or Black Anodized





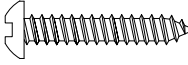


WINDSPEC INC.
MANUFACTURERS OF HIGH PERFORMANCE 'WINDSPEC' WINDOWS
ALUMINUM ENTRANCE SYSTEMS AND ARCHITECTURAL PANELS
1310 CREDITSTONE RD, CONCORD, ONTARIO L4K 5T7
Telephone (905) 738 -8311 Fax (905) 738 - 6188

March 2026

HTP DOOR

PART LIST

Part Number	Description	Profile
R-60188	Bulb Gasket	
R-20027	Glazing Gasket	
R-25003	HTP Door Sweep Gasket	
R-00005	Screen Spline Filler	
H-00002	#8 x 2" Assembly Screw	
H-00003	#10-24 x $\frac{3}{8}$ " Fabrication Screw S.S.	