

HTP DOOR IN 655 SERIES

TABLE OF CONTENTS

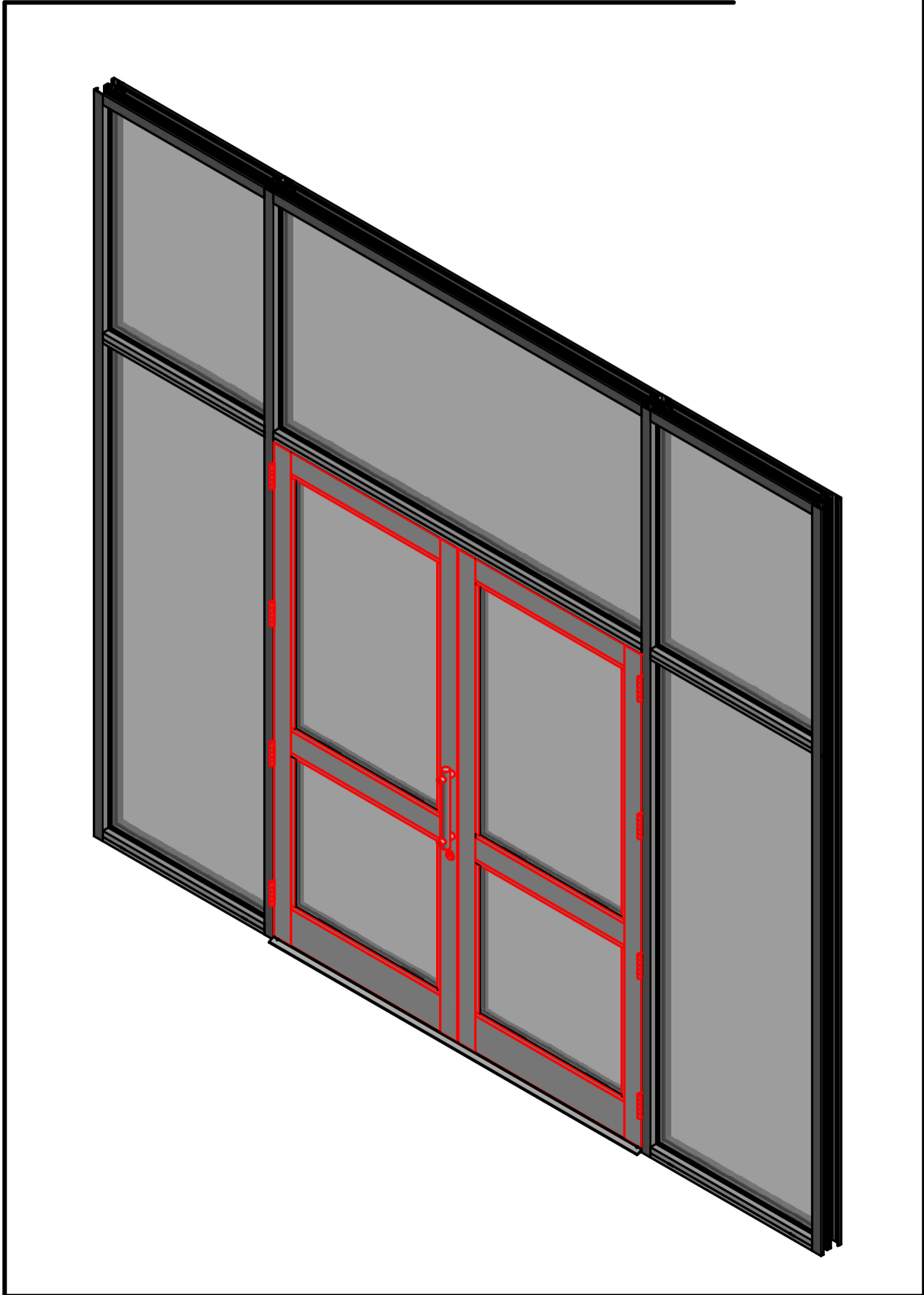
Fabrication

- 01 Table of Contents
- 02 Assembled view.
- 03 Exploded view of the door.
Exploded view , Parts List
- 04 Dimensional Details and Cross Sections
Dimensional Formulas
- 05 Stile at Hinge Side
CA-25007
- 06 Stile at Lock Side
CA-25007
- 07 Stile at Flush Bolts Side
CA-25007
- 08 Horizontal Rails , Mid Rail Adaptor & Glazing Stops
CA-25003 , CA-25004 ,CA-25011 , C-25012 , C-20027
- 09 Threshold

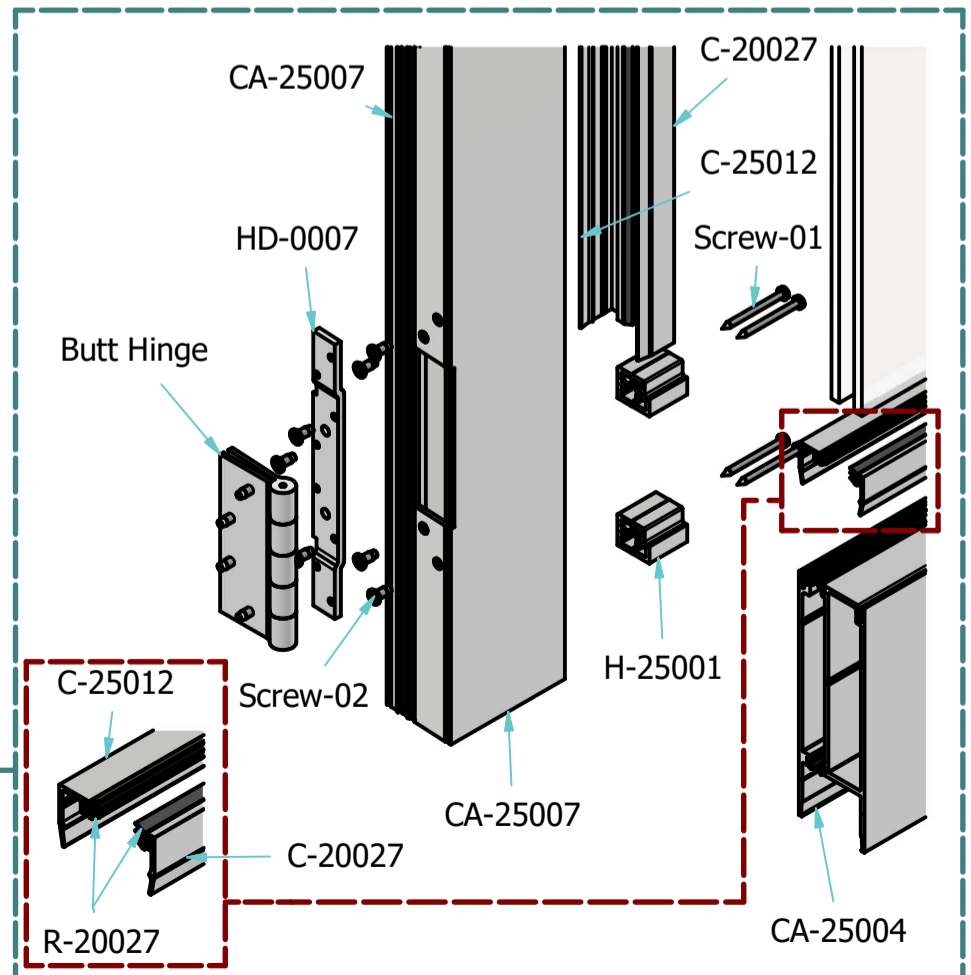
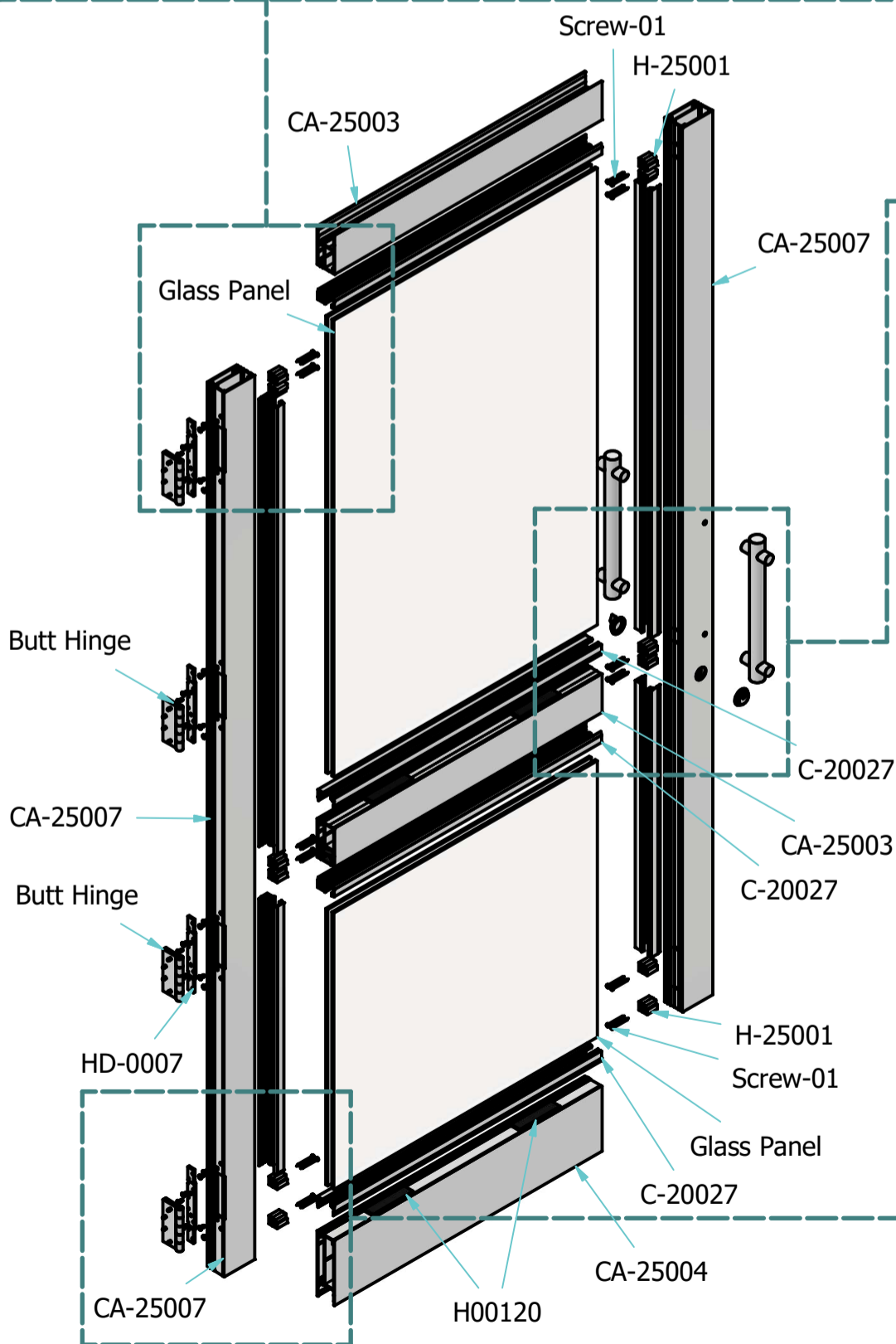
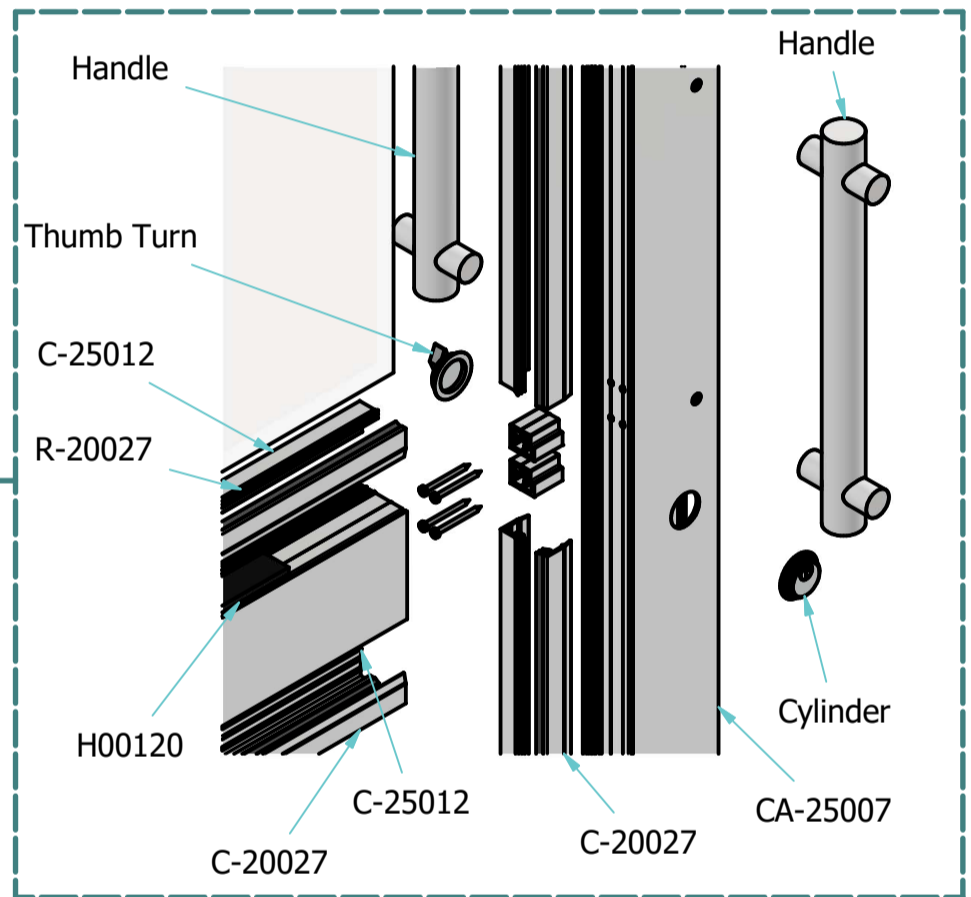
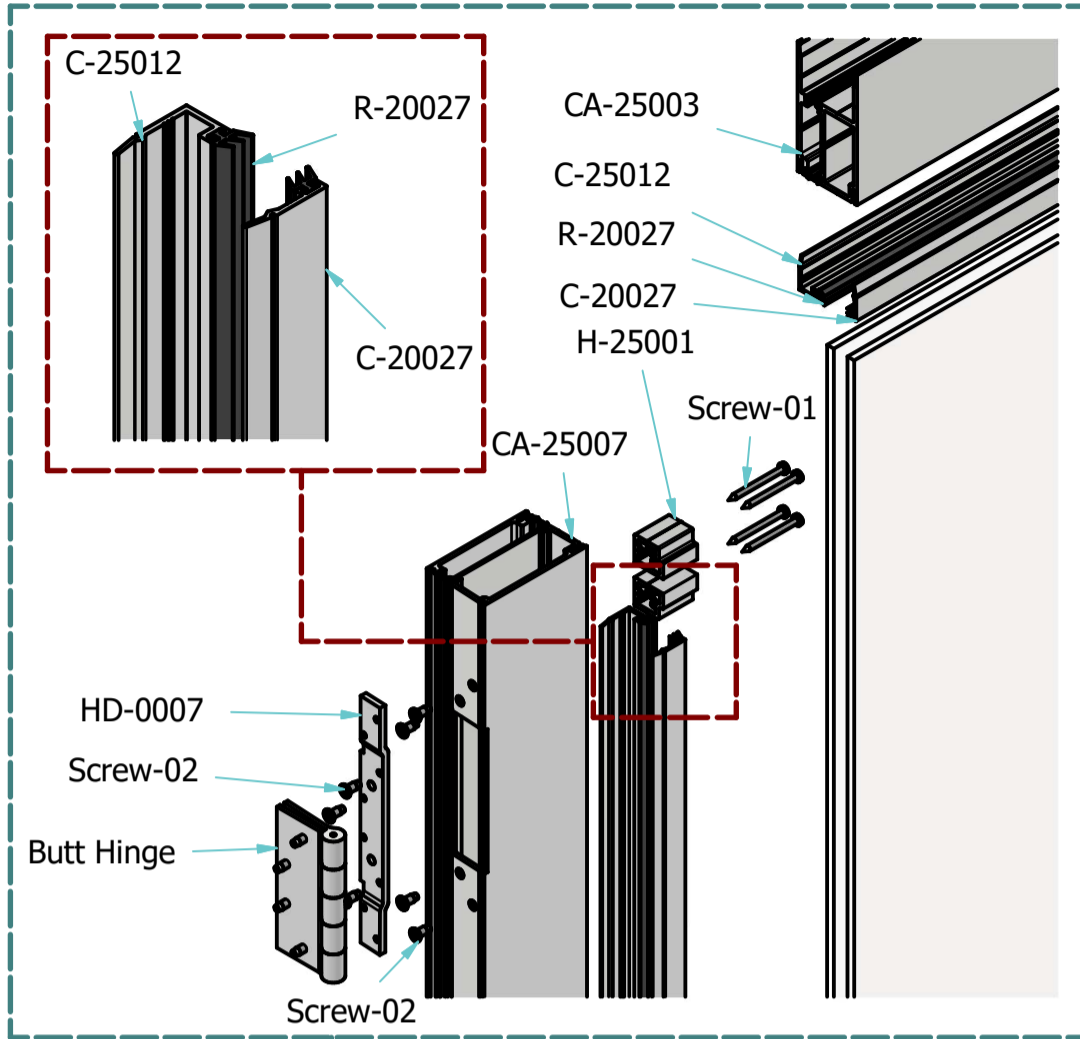


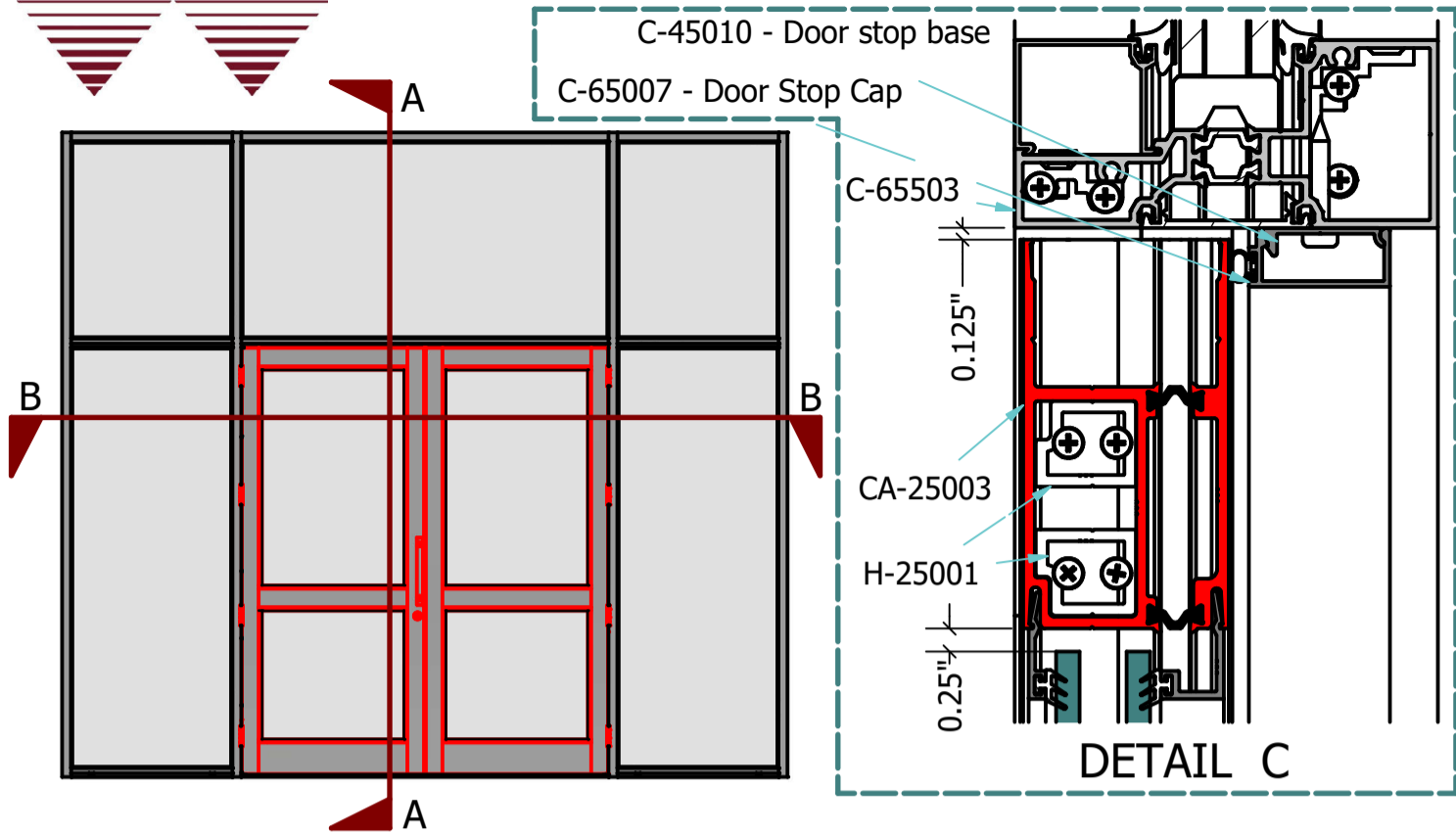
HTP-Door

In 655 Series

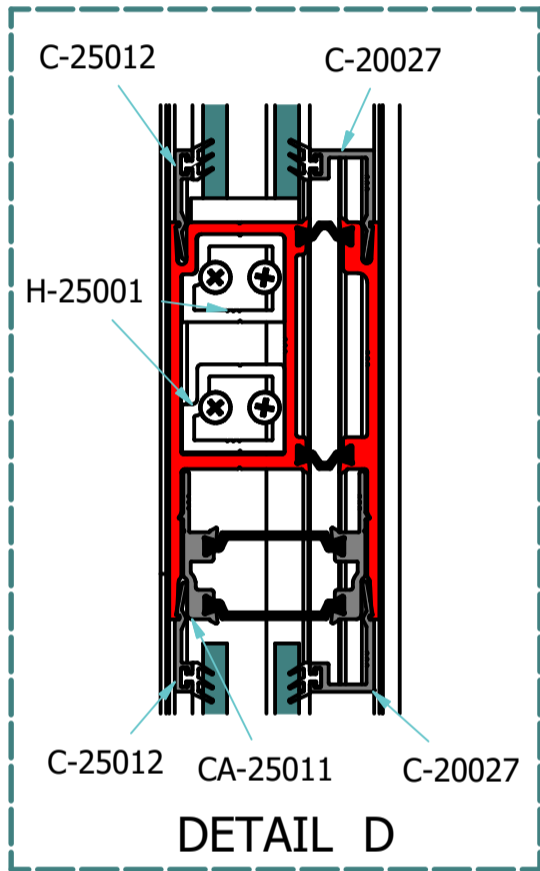
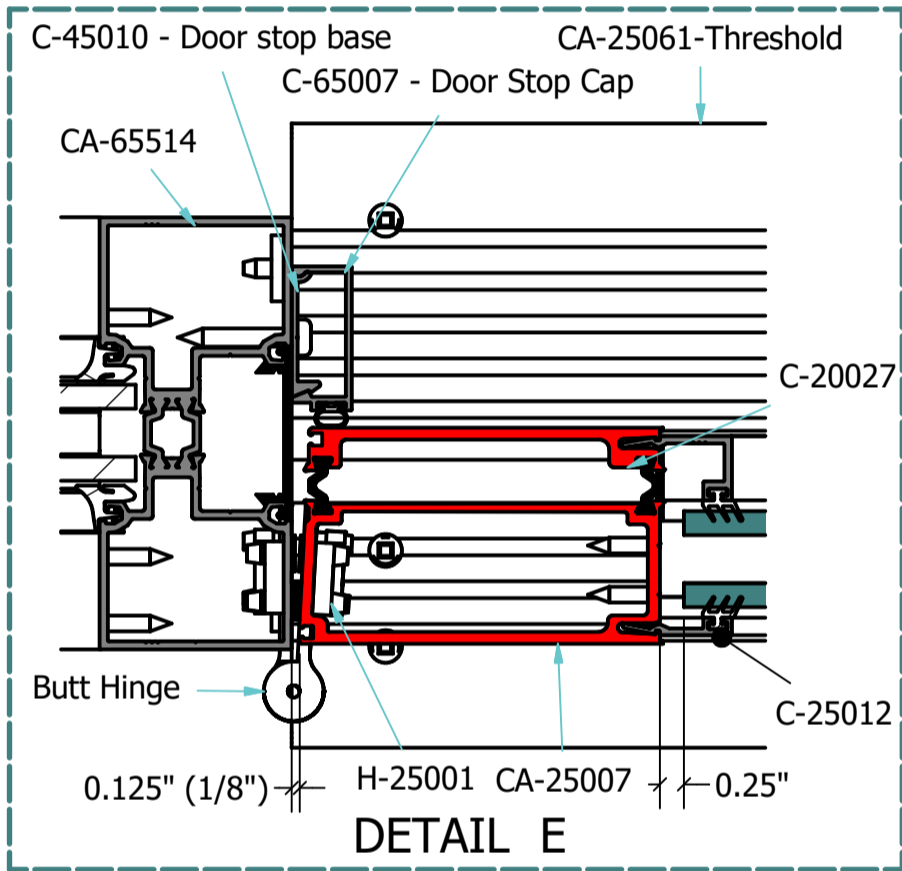
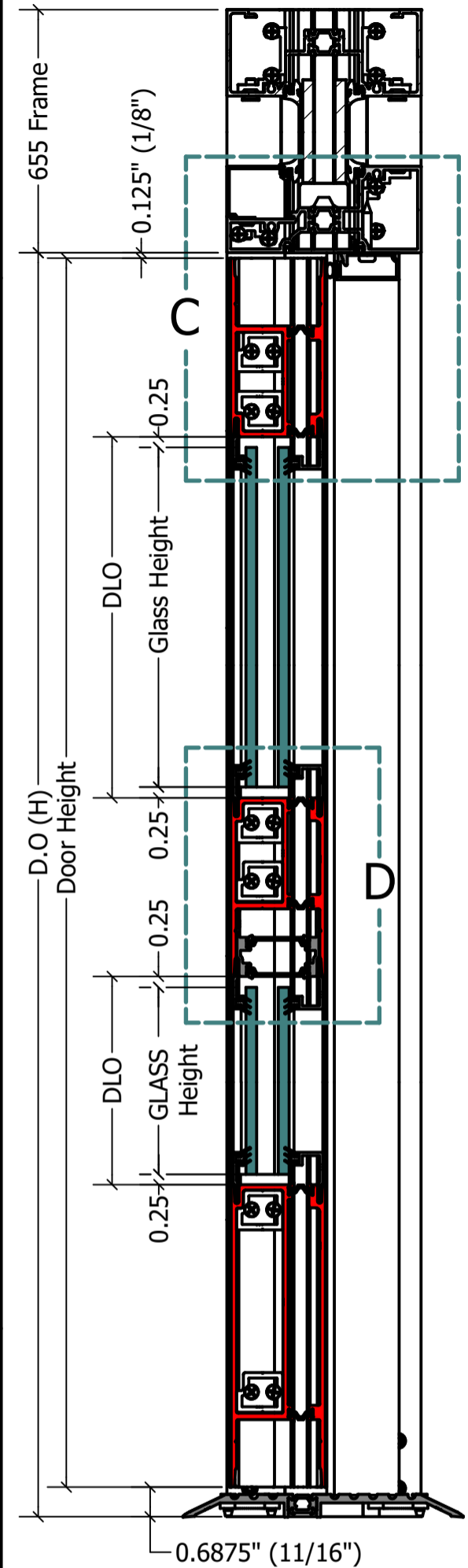


PARTS LIST	
PART NUMBER	DESCRIPTION
Butt Hinge	4 1/2" x 4" S.S Butt Hinge
C-20027	Interior Glazing Stop - (1" Dbl IGU, 1 1/2" Trpl IGU)
C-25012	1" Exterior Glazing Stop
CA-25003	4 1/8" HTP Horizontal Rail
CA-25004	7" HTP Horizontal Rail
CA-25007	HTP 375 Medium Stile (3 3/4")
CA-25011	Mid Rail Adaptor
Cylinder	Door Hardware (Varies)
Glass Panel	Glass Panel
H00120	(1/4 x 1 1/8 x 5") E.P.D.M Setting block
H-25001	1.25" Shear Bracket for HTP door
Handle	Door Hardware (Varies)
HD-0007	Back up plate for butt hinges
R-20027	Glazing Gasket
Screw-01	#8 x 2" pan head screw- ZINC (Shear brackets)
Screw-02	12-24 x 1/2" Undercut Flat head screw
Thumb Turn	Door Hardware (Varies)





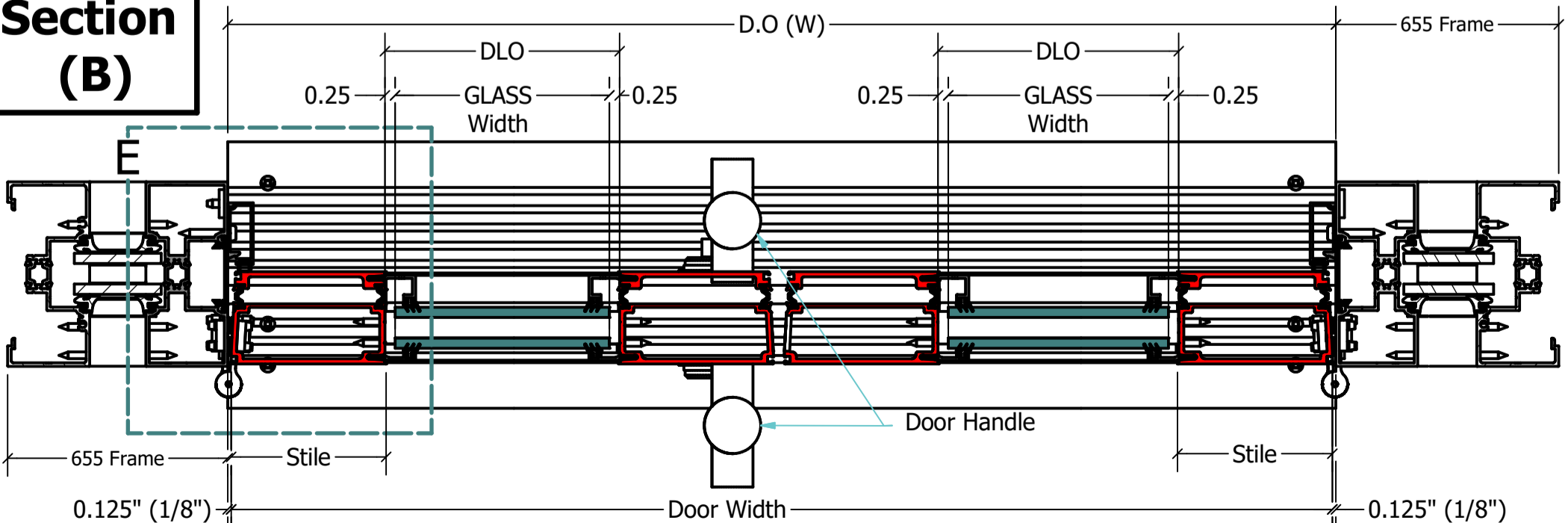
Section (A)



Notes:

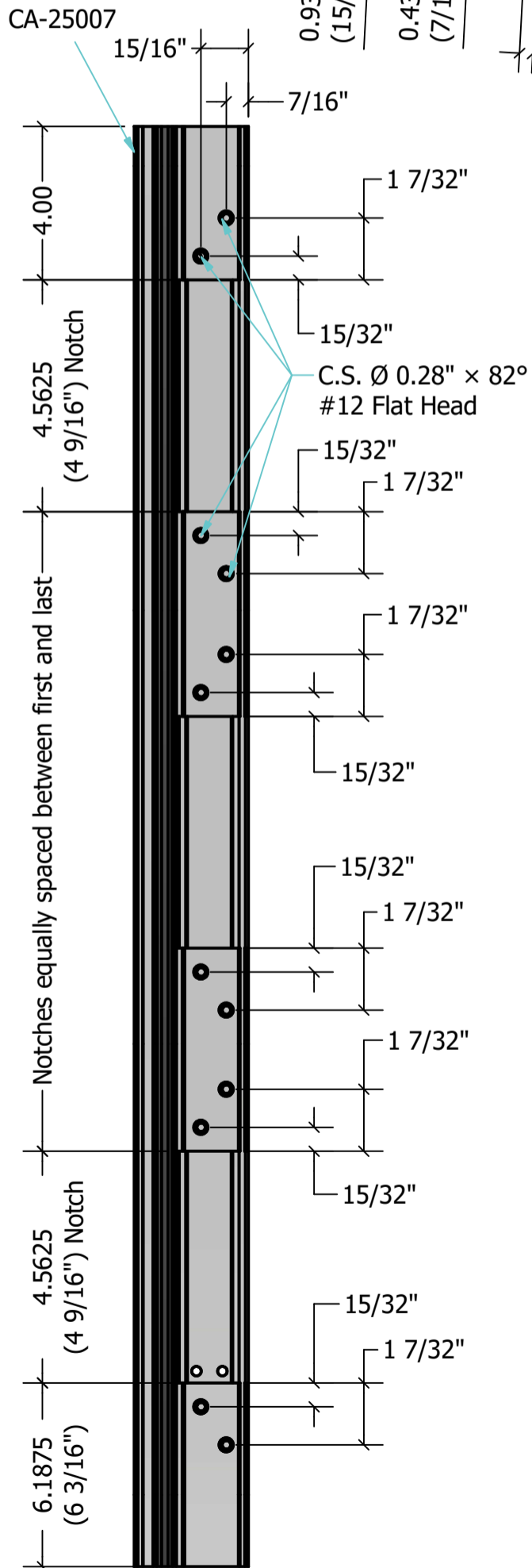
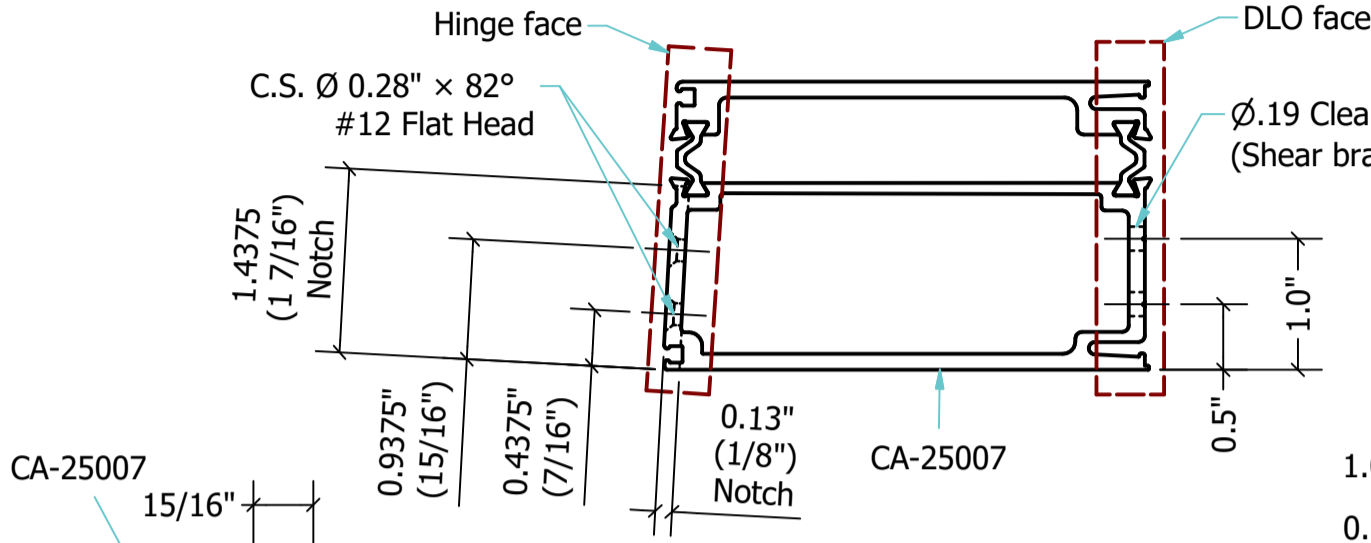
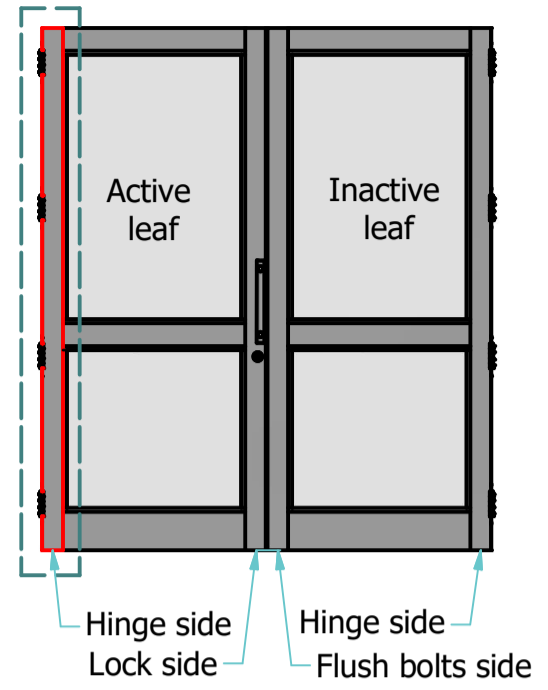
- D.O : Door opening
- D.O (W) : Door Opening Width
- D.O (H) : Door Opening Height
- DLO : Daylight opening
- Door Height = $D.O (H) - 0.8125''$
- Door Width = $D.O (W) - 0.25''$
- Glass Width = $DLO - 0.5''$
- Glass Height = $DLO - 0.5''$

Section (B)

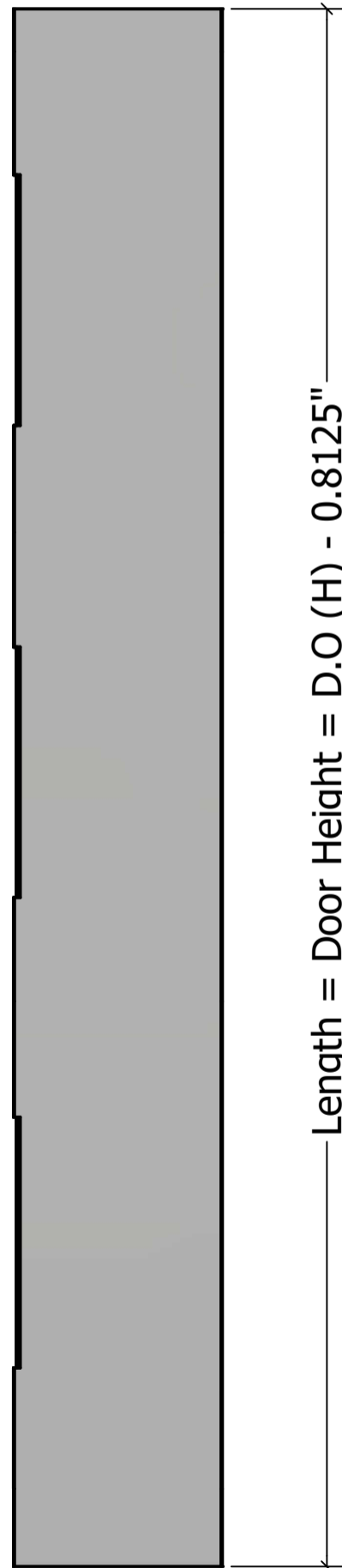


Shear Block Hole Locations on Stiles

Dimension	4 1/8" Rail	5 1/2" Rail	7" Rail
A	2.1625" (2 5/32")	2.1785" (2 3/16")	2.20" (2 3/16")
B	3.55" (3 9/16")	4.925" (4 15/16")	6.40" (6 13/32")
C	1.3875" (1 3/8")	2.75" (2 3/4")	4.22" (4 7/32")
D	3.55" (3 9/16")	4.925" (4 15/16")	6.40" (6 13/32")
E	2.1625" (2 5/32")	2.1785" (2 3/16")	2.20" (2 3/16")

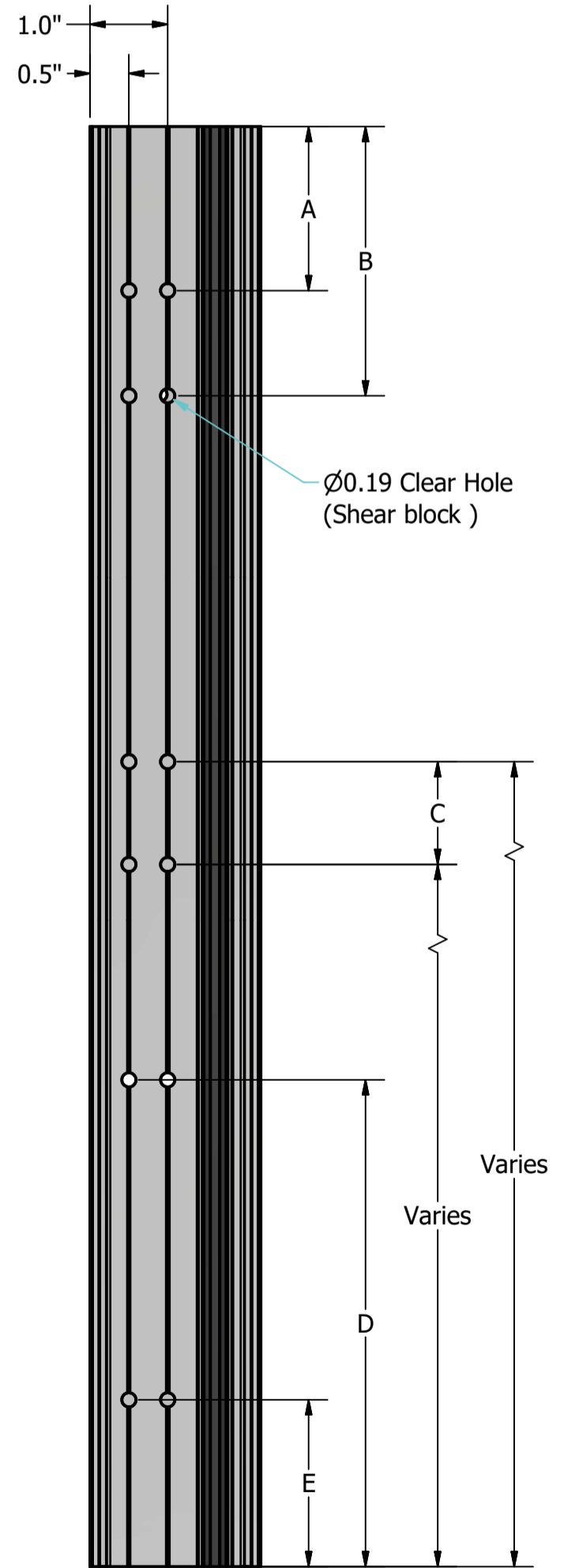


Hinge face



Exterior face

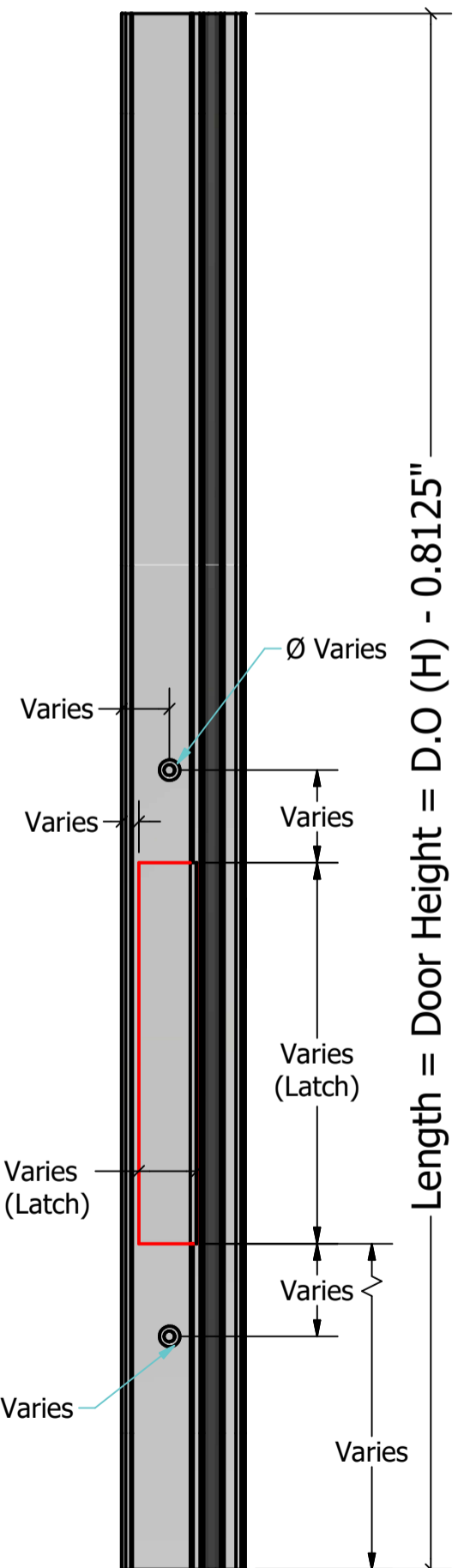
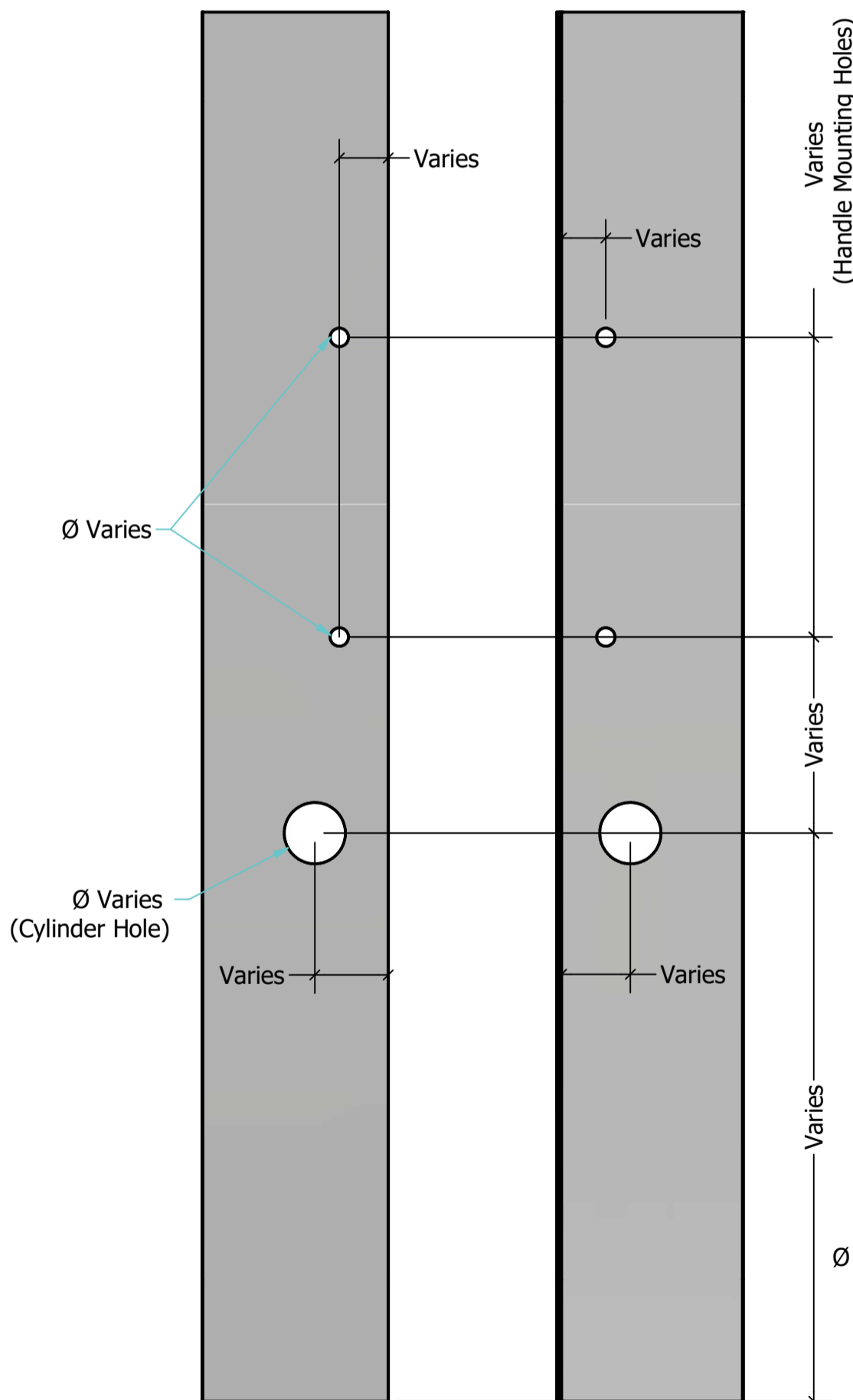
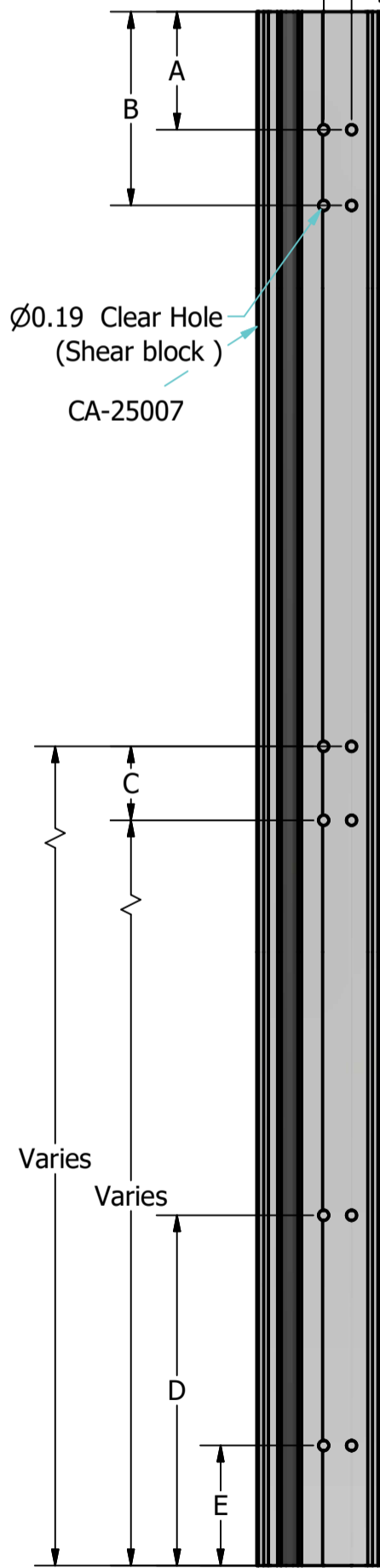
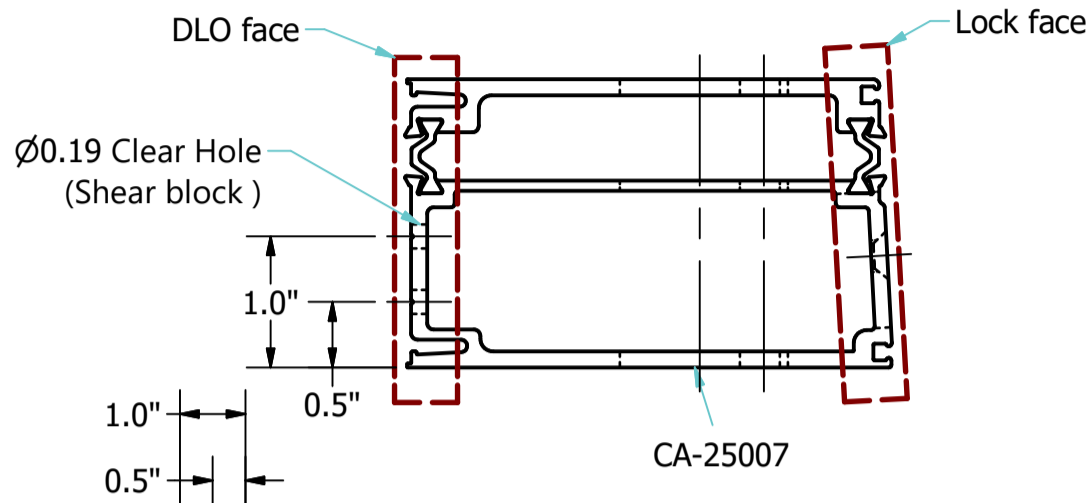
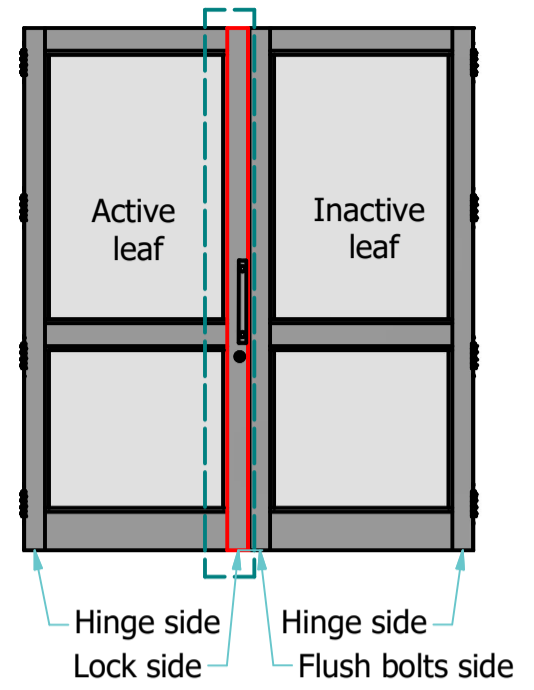
Length = Door Height = D.O (H) - 0.8125"



DLO face



Shear Block Hole Locations on Stiles			
Dimension	4 1/8" Rail	5 1/2" Rail	7" Rail
A	2.1625" (2 5/32")	2.1785" (2 3/16")	2.20" (2 3/16")
B	3.55" (3 9/16")	4.925" (4 15/16")	6.40" (6 13/32")
C	1.3875" (1 3/8")	2.75" (2 3/4")	4.22" (4 7/32")
D	3.55" (3 9/16")	4.925" (4 15/16")	6.40" (6 13/32")
E	2.1625" (2 5/32")	2.1785" (2 3/16")	2.20" (2 3/16")



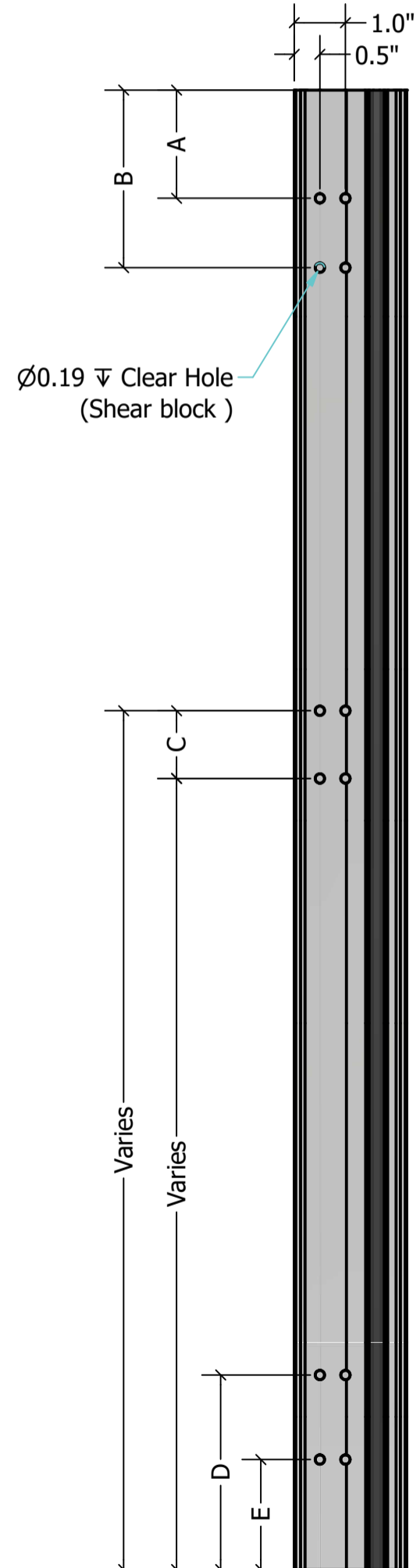
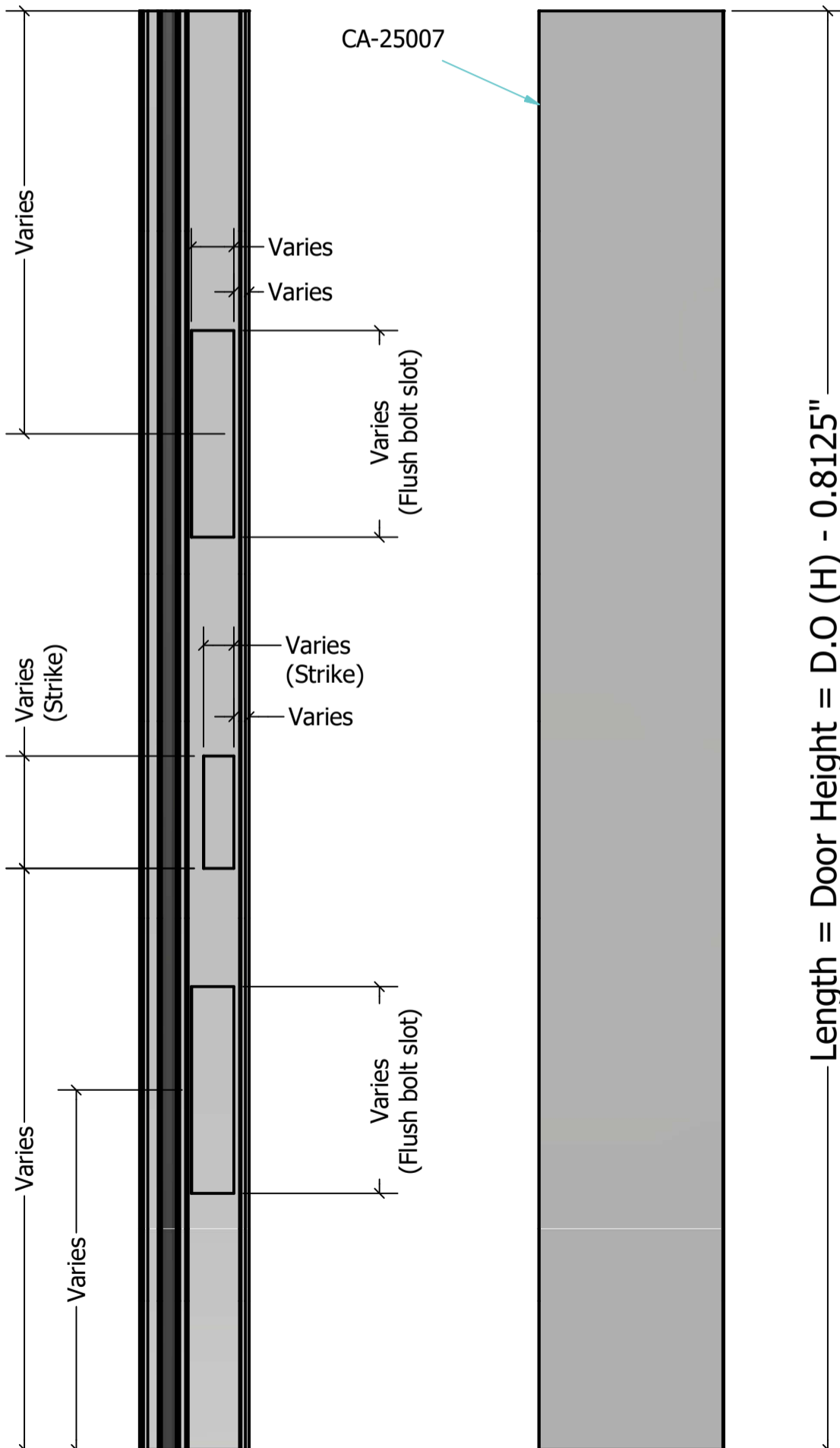
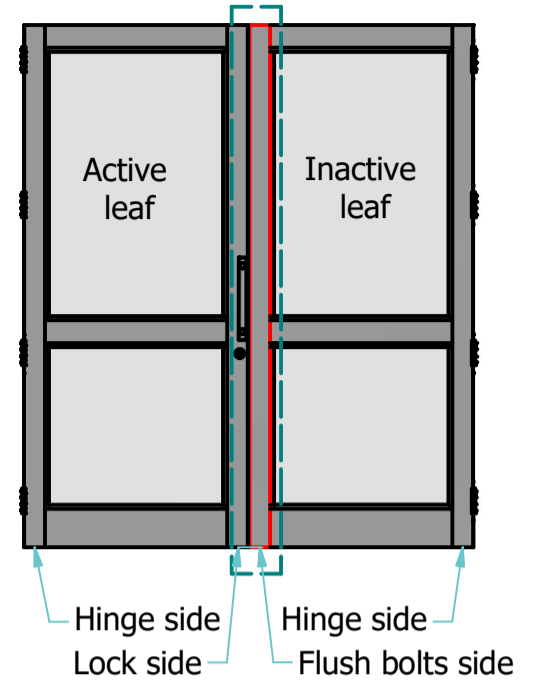
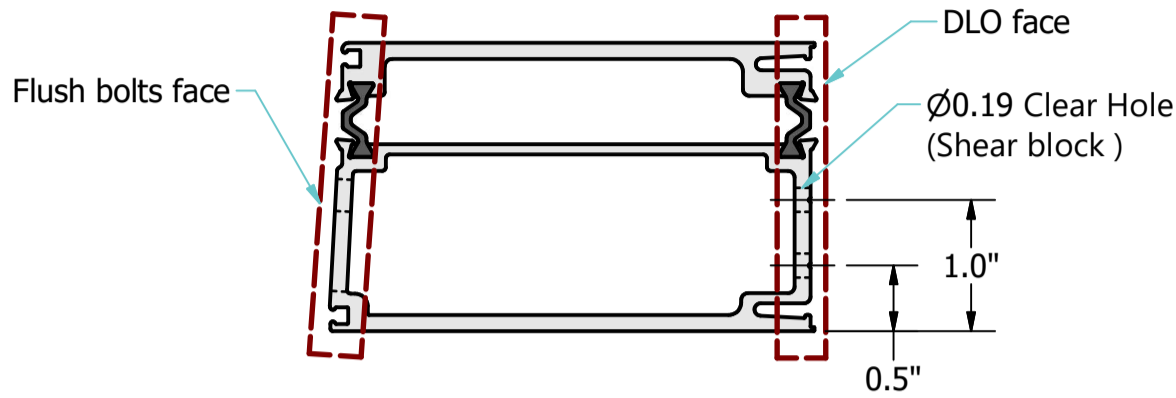
DLO face

Exterior face

Interior face

Lock face

Shear Block Hole Locations on Stiles			
Dimension	4 1/8" Rail	5 1/2" Rail	7" Rail
A	2.1625" (2 5/32")	2.1785" (2 3/16")	2.20" (2 3/16")
B	3.55" (3 9/16")	4.925" (4 15/16")	6.40" (6 13/32")
C	1.3875" (1 3/8")	2.75" (2 3/4")	4.22" (4 7/32")
D	3.55" (3 9/16")	4.925" (4 15/16")	6.40" (6 13/32")
E	2.1625" (2 5/32")	2.1785" (2 3/16")	2.20" (2 3/16")



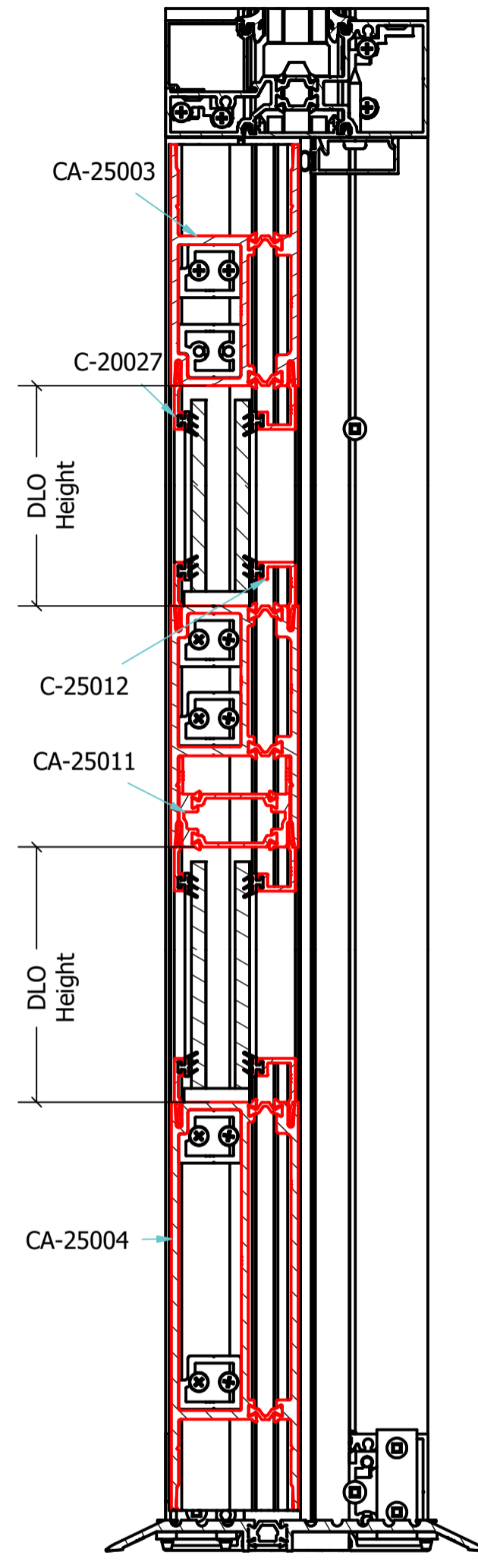
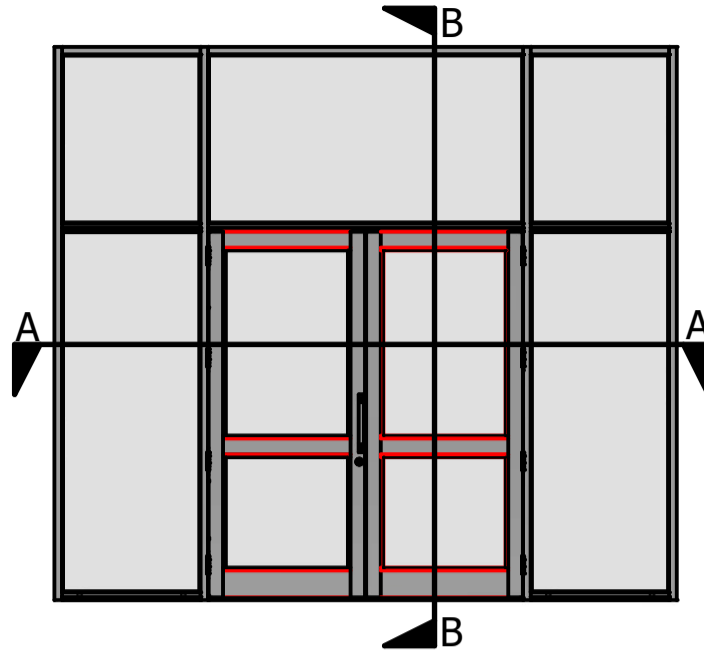
Flush bolts face

Exterior face

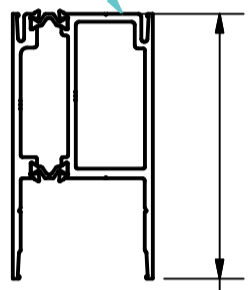
DLO face

Section (B)

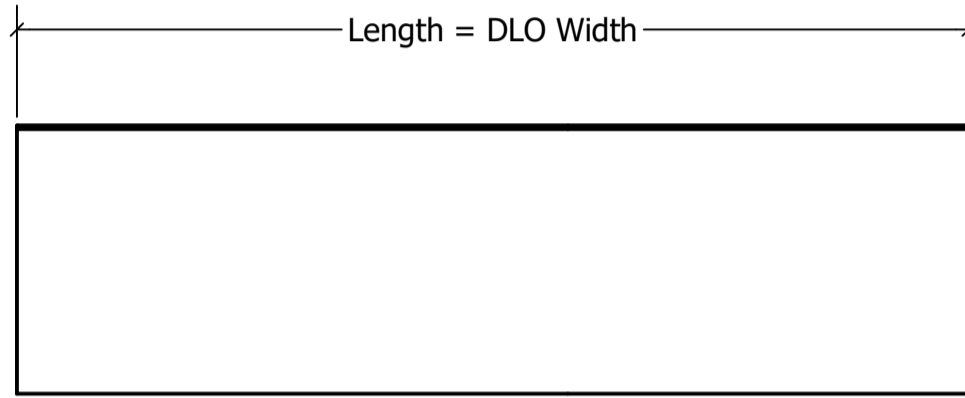
PARTS LIST	
PART NUMBER	DESCRIPTION
C-20027	Interior Glazing Stop - (1" Dbl IGU, 1½" Trpl IGU)
C-25012	1" Exterior Glazing Stop
CA-25003	4 1/8" HTP Horizontal Rail
CA-25004	7" HTP Horizontal Rail
CA-25011	Mid Rail Adaptor



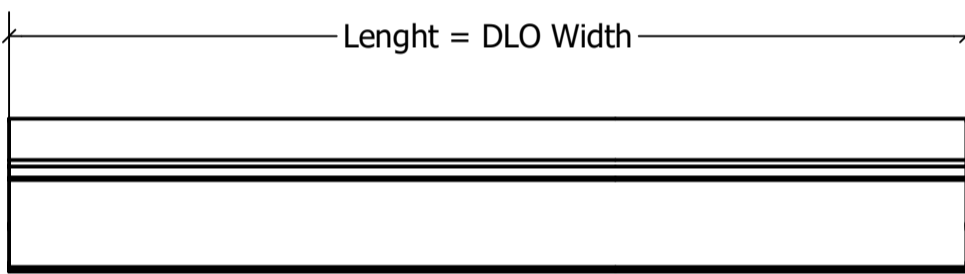
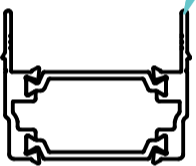
CA-25003



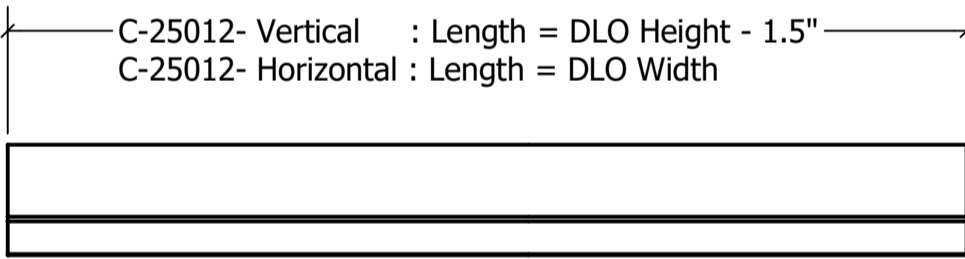
Varies per type



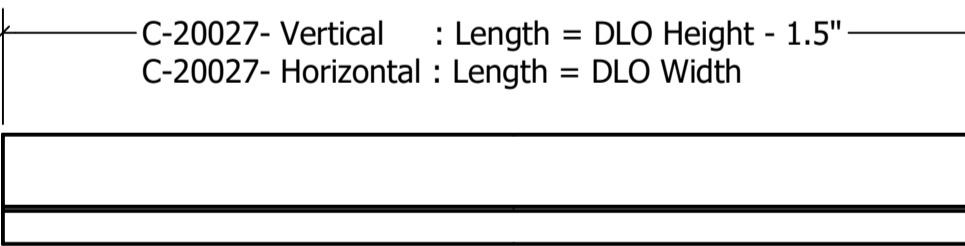
CA-25011



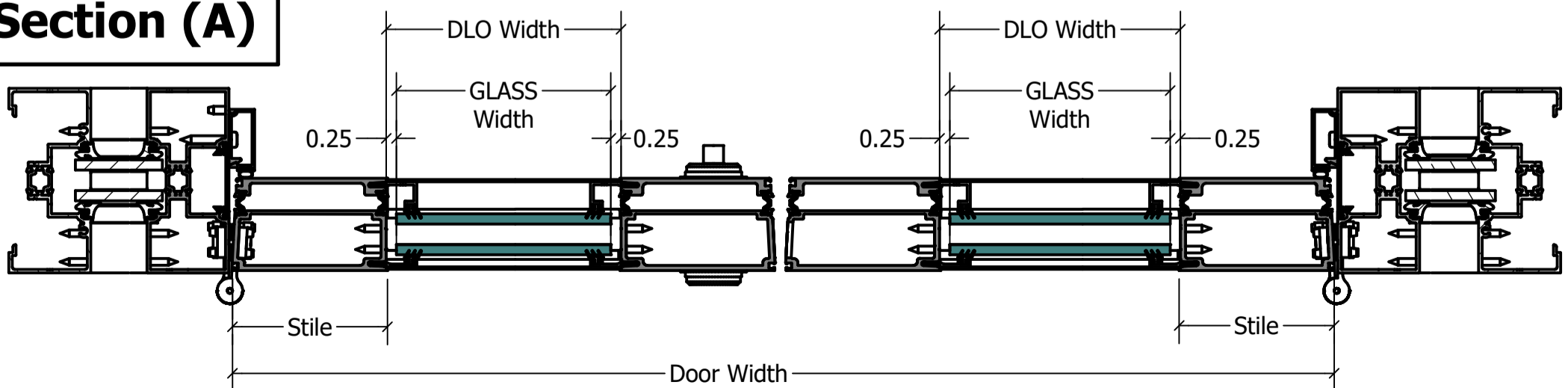
C-25012



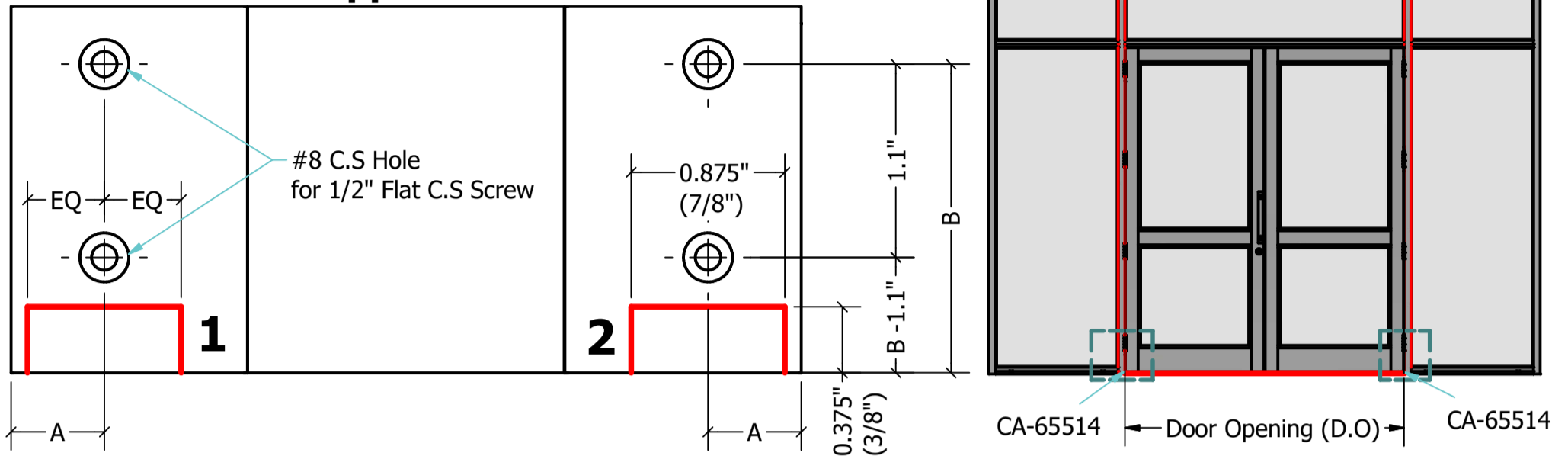
C-20027



Section (A)



Bottom of CA-65514 (D.O Side) Cropped View



Threshold Bracket – Notch and Hole Locations on 655 Frame D.O. Mullions (CA-65514)

Features & Dimensions	Threshold Types				
	4"	5 1/2"	6" (Handicap)	6 1/2"	7"
Slots					
Slot 1	<input checked="" type="checkbox"/>	<input checked="" type="checkbox"/>	<input checked="" type="checkbox"/>	<input checked="" type="checkbox"/>	<input checked="" type="checkbox"/>
Slot 2	N/A	<input checked="" type="checkbox"/>	<input checked="" type="checkbox"/>	<input checked="" type="checkbox"/>	<input checked="" type="checkbox"/>
Dimensions					
A	3/4" (0.78")	3/4" (0.78")	3/4" (0.78")	9/16" (0.55")	3/4" (0.78")
B	1 7/8" (1.79")	1 7/8" (1.79")	1 5/8" (1.60")	1 7/8" (1.79")	1 7/8" (1.79")

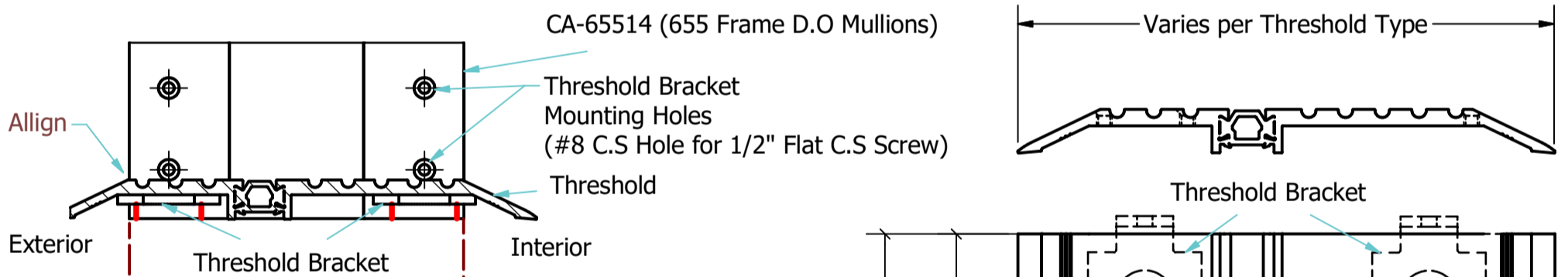
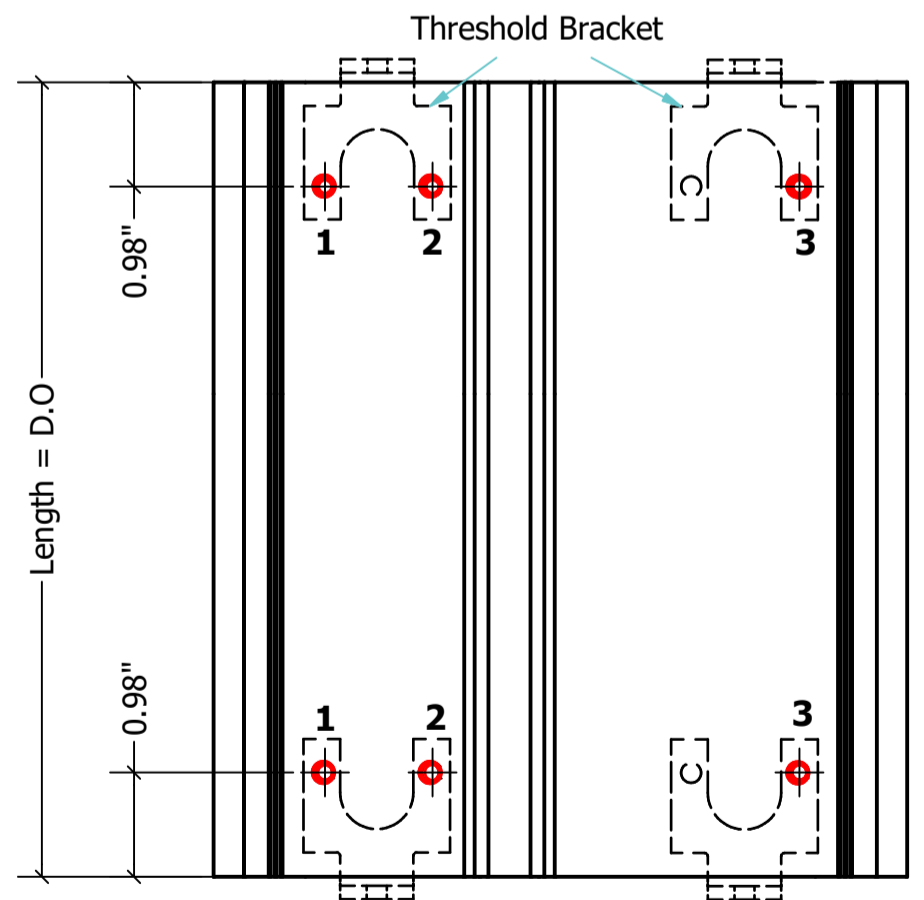


TABLE - A

<p>9/32" - Ref Only (See note) 1" 1 1 1/2" (4") 1 ✓ 2 ✓ 3 X</p>
<p>9/32" - Ref Only (See note) 1 ✓ 2 X 3 ✓ 5 1/2"</p>
<p>1 ✓ 2 X 3 ✓ 6" (Handicap)</p>
<p>1 ✓ 2 X 3 ✓ 7"</p>
<p>1/32" - Ref Only (See note) 1 ✓ 2 X 3 ✓ 6 1/2"</p>



Notes:

To locate the holes on the threshold:

1. Install the threshold bracket on the 655 Frame D.O. mullion (CA-65514).
2. Position the threshold so the rounded corner aligns with the exterior face edge of the CA-65514 (Typ.).
3. Drill the holes per the applicable hole pattern shown in **Table -A**.