

GLASS DOOR INSTALLATION GUIDE

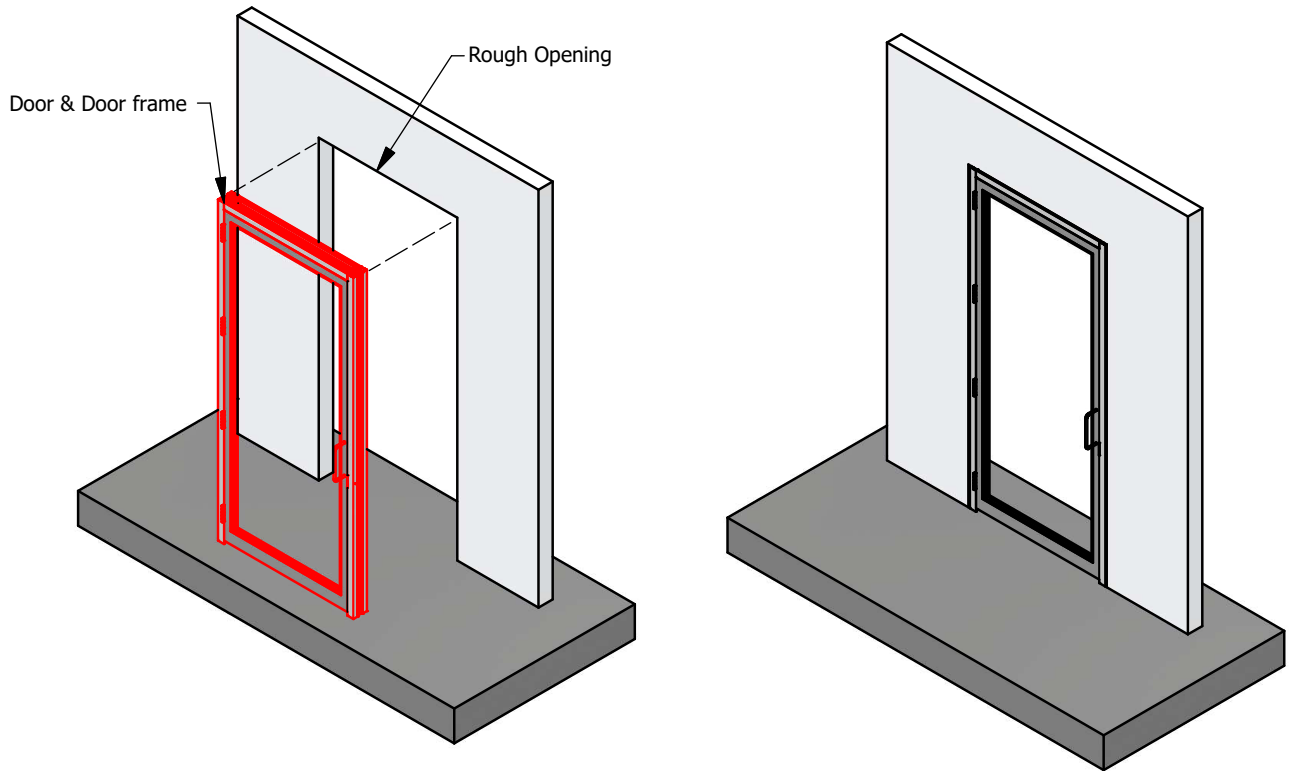
TABLE OF CONTENTS

Door Installation	01	Table of Contents
	02	Step 1 : Positioning the door and frame
	03	Step 2 : Leveling and securing the hinge side
	04	Step 3 : Leveling the lock side and ensuring even gaps
	05	
	06	Step 4 : Securing the frame
	07	Step 5 : Final alignment and adjustments
Glazing	08	Step 1 : Remove Glazing stops Step 2 : Install glazing blocks and glass
	09	Step 3 : Ensure even spacing and adjustments Step 4 : Complete the installation

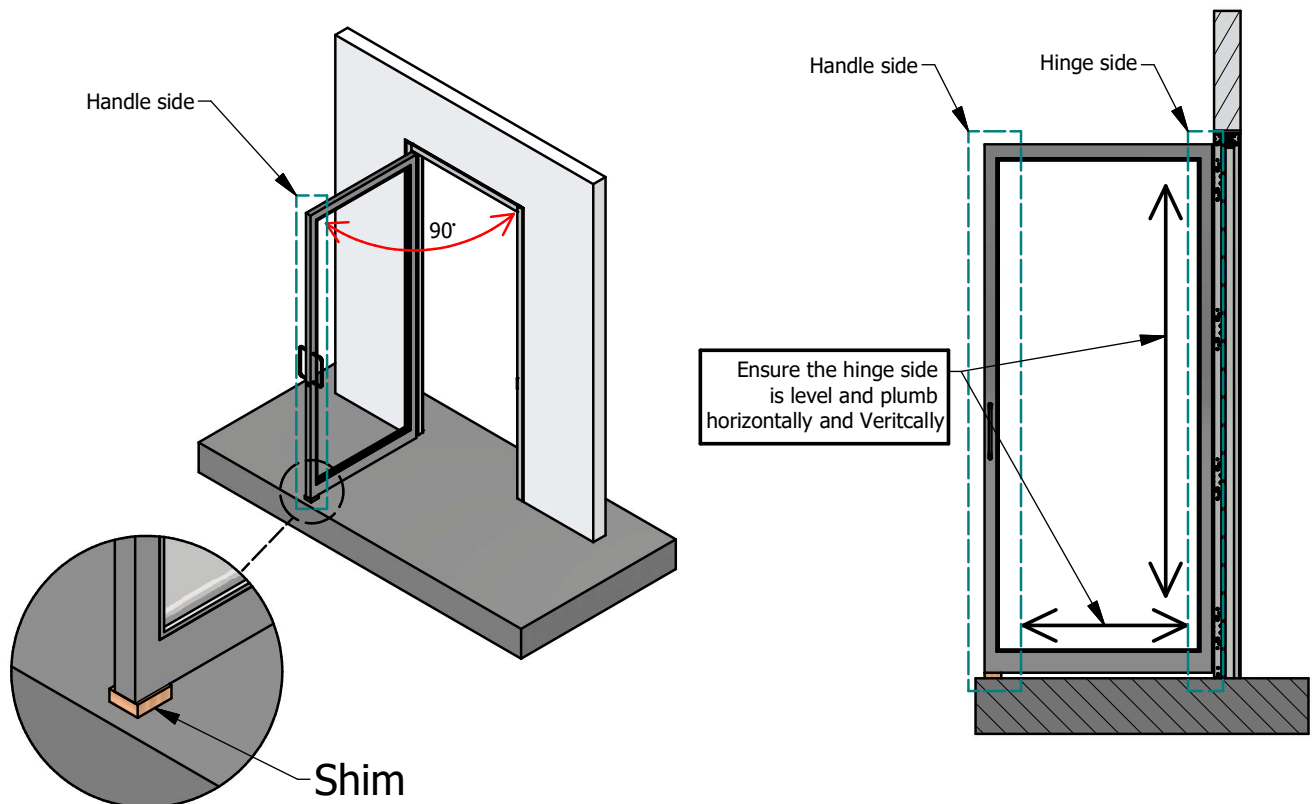
Door
Installation

STEP 1 (Positioning the door and Frame):

1) - Begin by positioning the door and frame into the rough opening (RO). Open the door to a 90-degree angle.

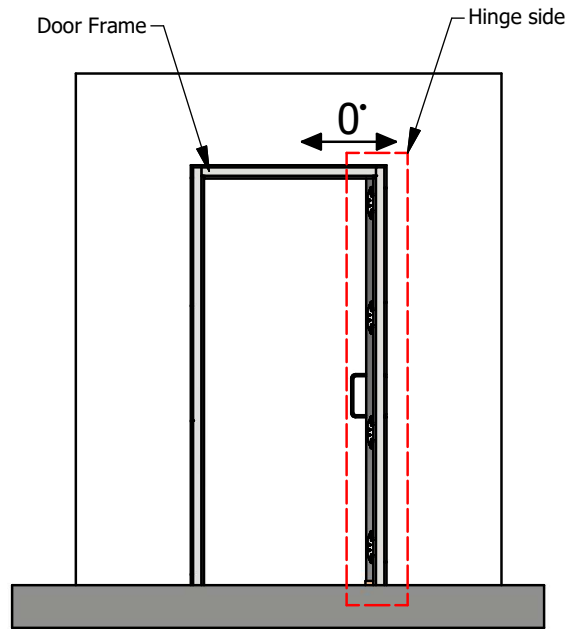
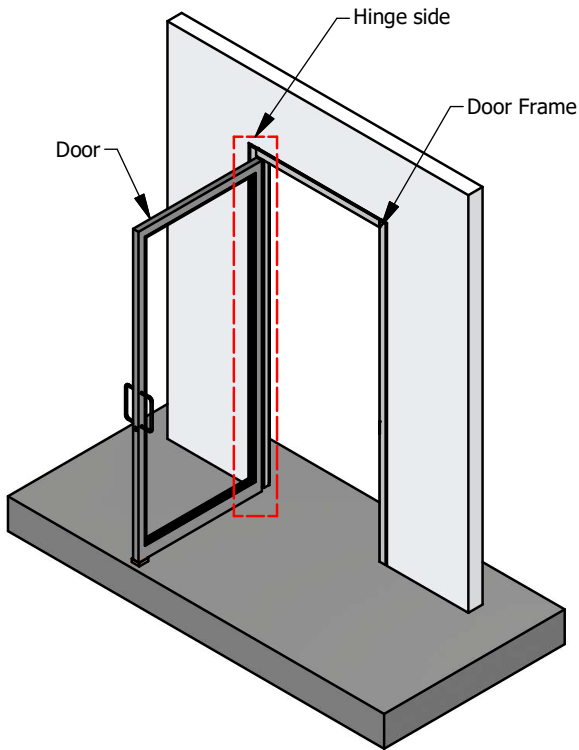


2) - Shim the handle side of the door as necessary to ensure the hinge side of the frame is level and plumb, both horizontally and vertically.

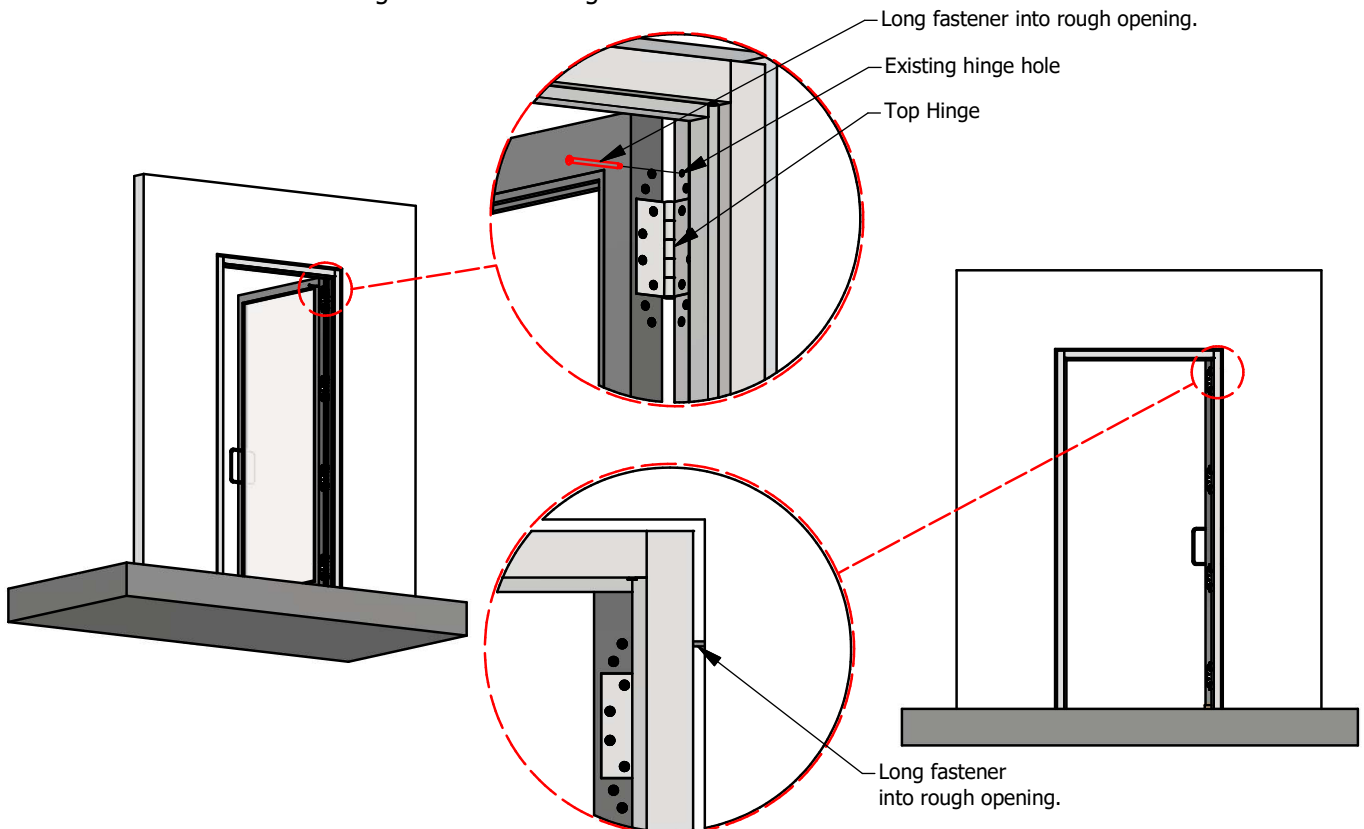


STEP 2 (Leveling and securing the hinge side):

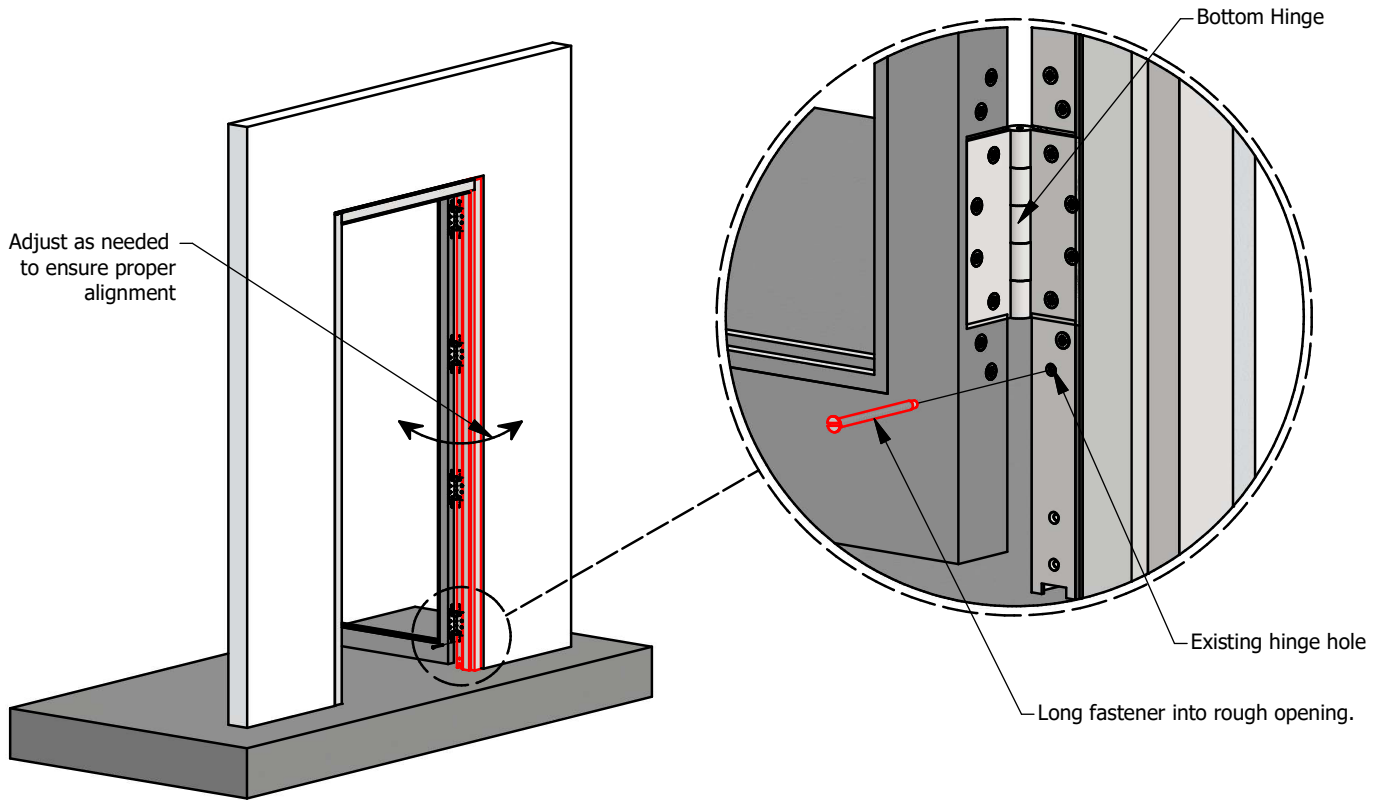
1) - Level the hinge side of the frame horizontally to ensure proper alignment.



2) - Secure the top of the frame by fastening it with one appropriate fastener into the rough opening frame. You can use one of the existing holes on the hinges

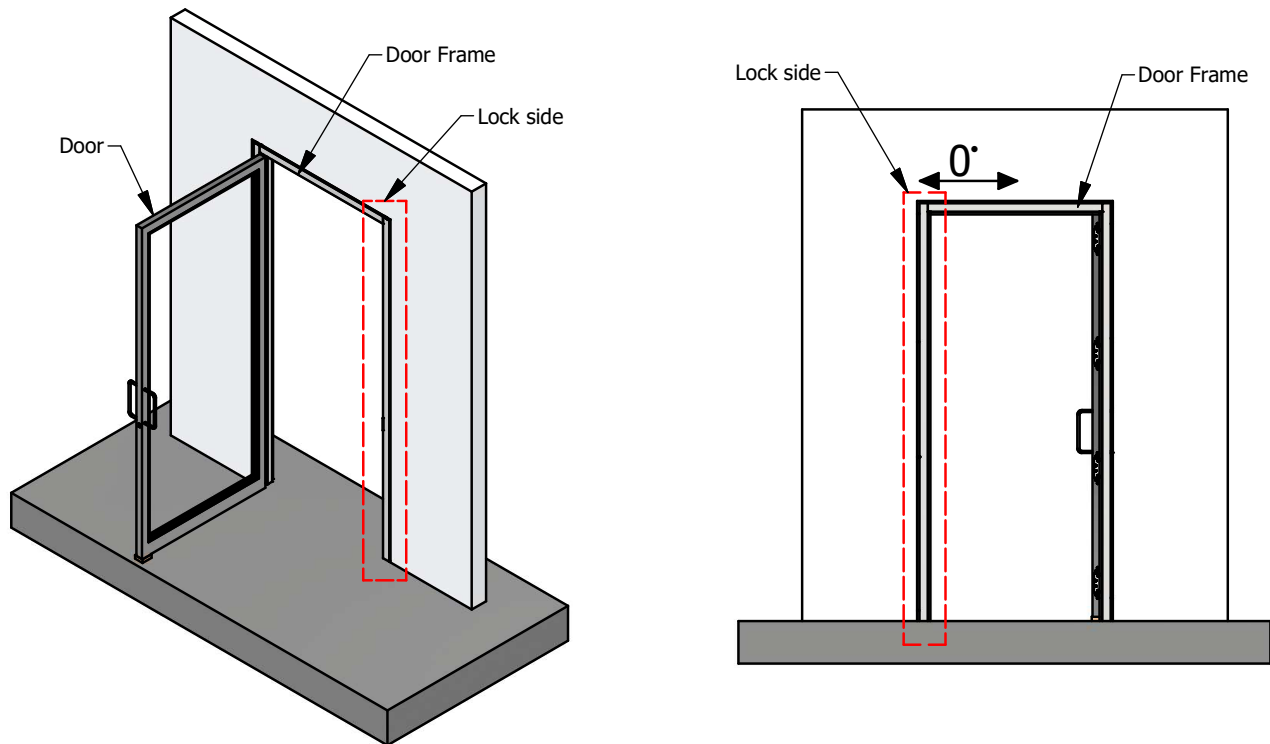


3) - Recheck the alignment of the frame and make any necessary adjustments before fastening the bottom of the frame securely.

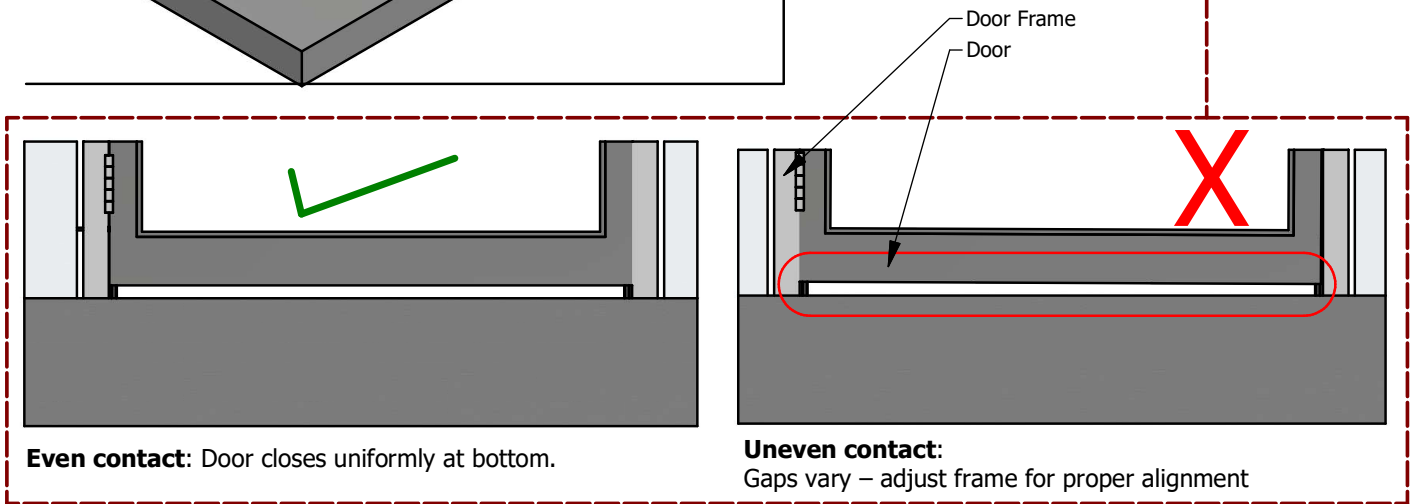
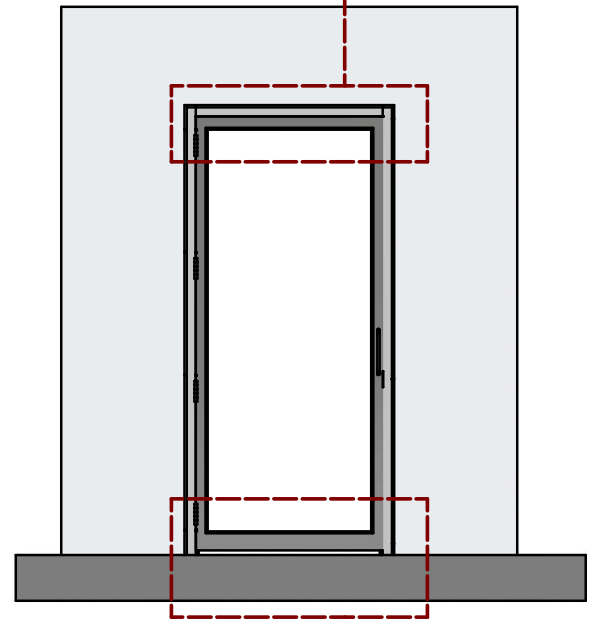
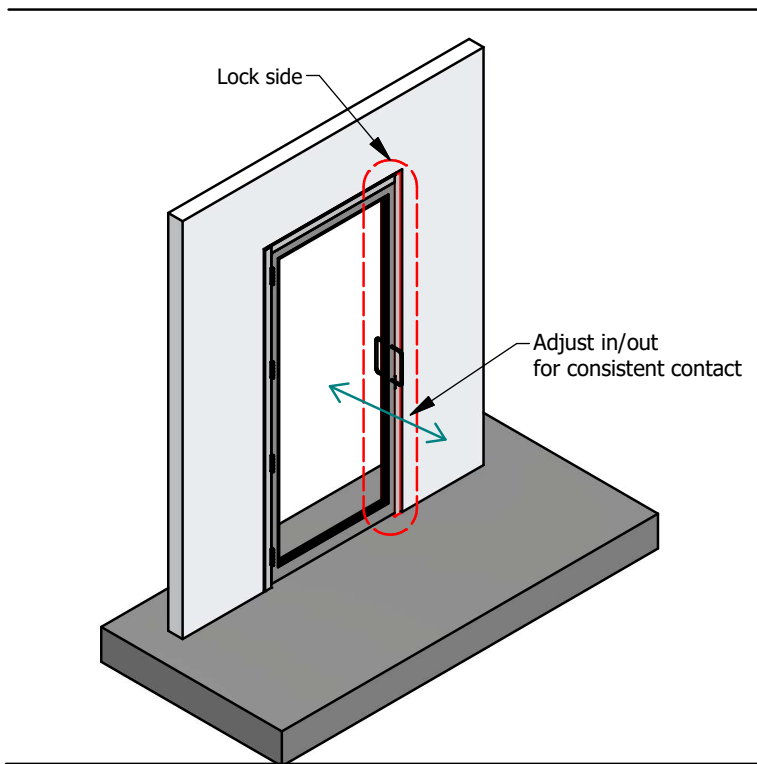
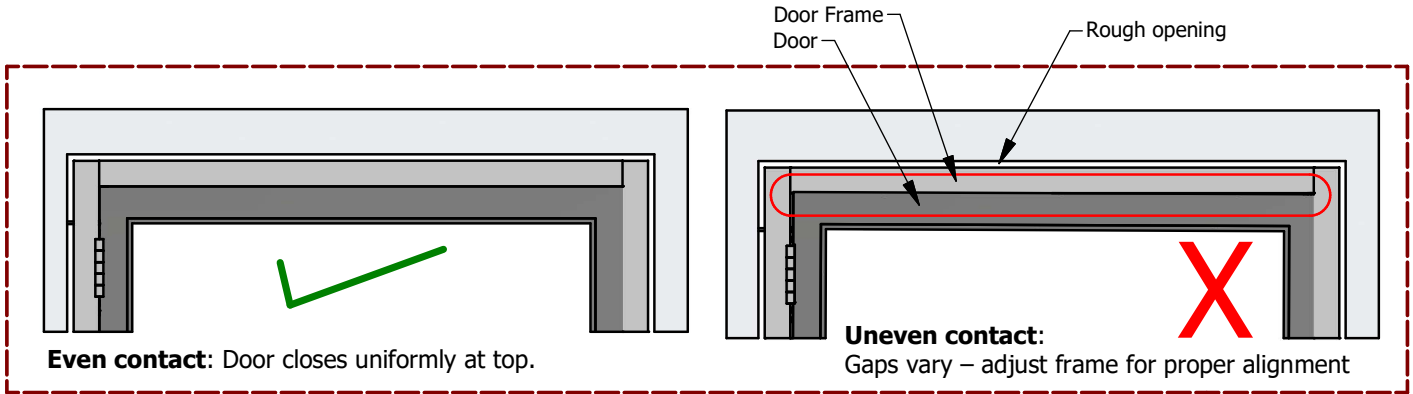


STEP 3 (Leveling the lock side and ensuring even gaps):

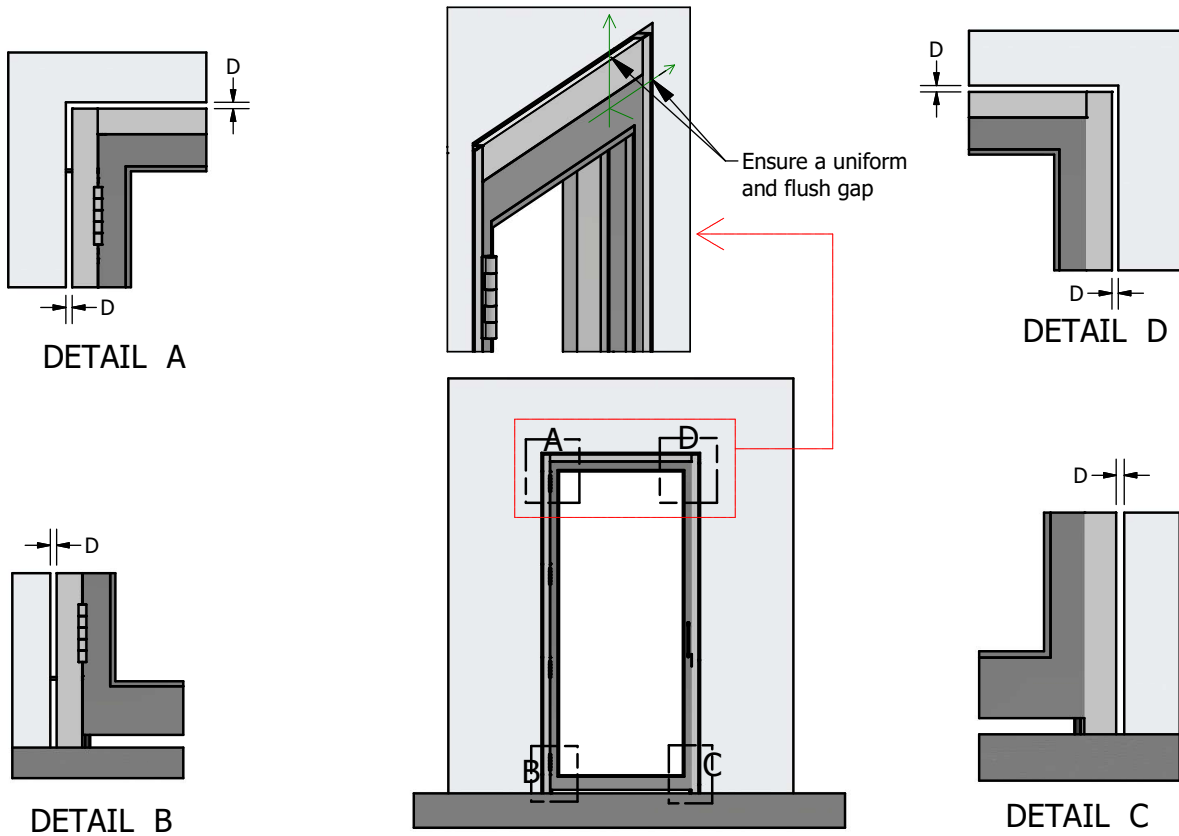
1) - Repeat the leveling process on the lock side jamb, ensuring the frame is positioned correctly before securing it.



- 2) - Close the door to verify that the top and bottom of the door close evenly against the frame.
Adjust the lock side of the frame in and out to achieve consistent contact between the door and the frame.

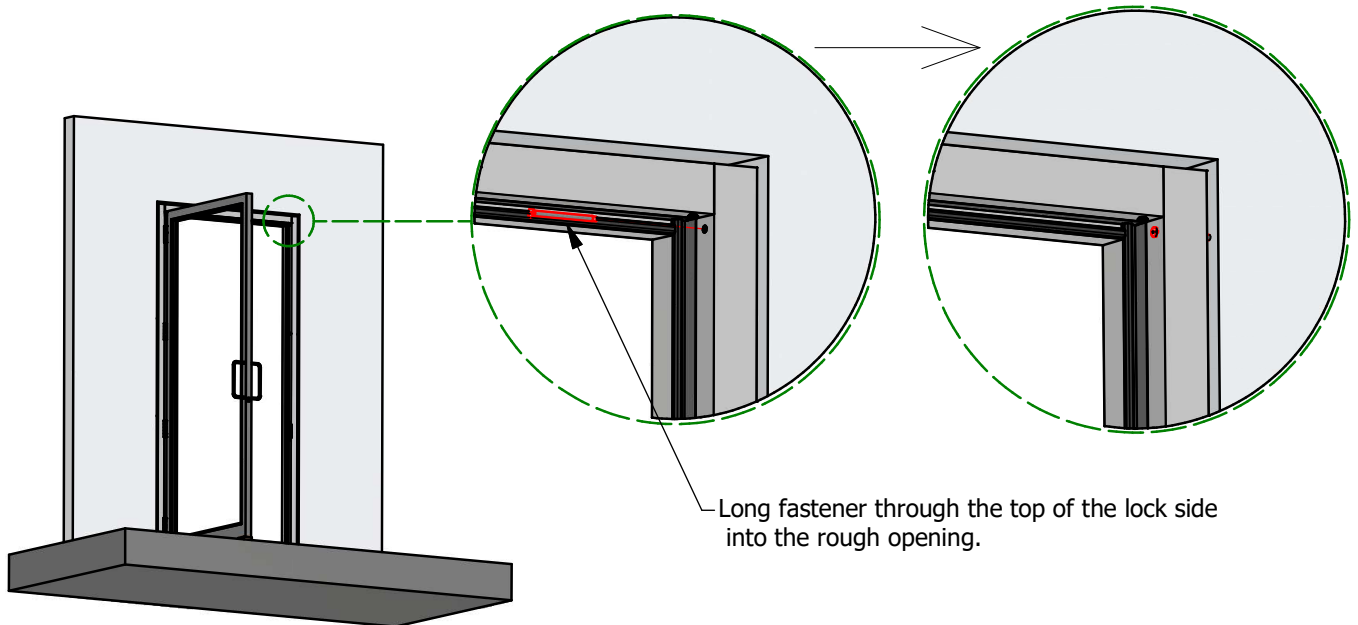


3) - Ensure the gap around the entire perimeter of the door and frame is uniform and flush.



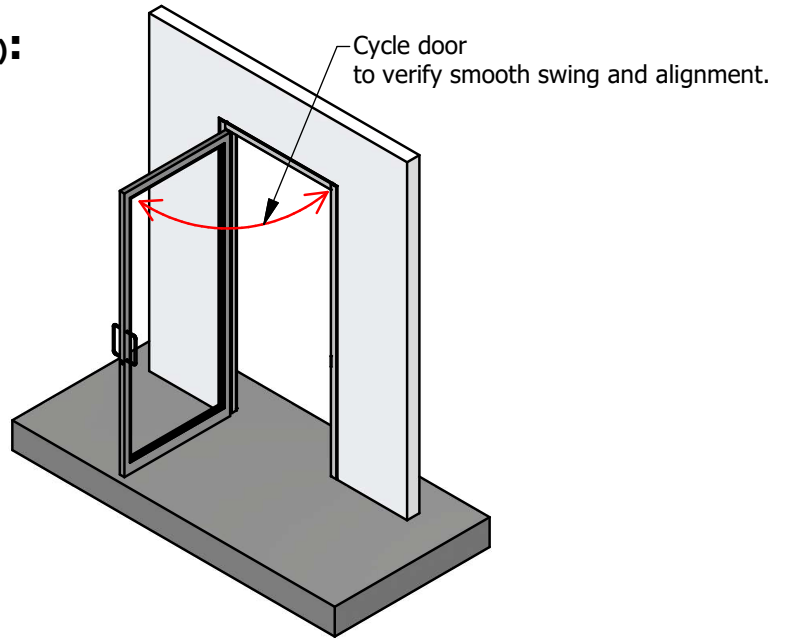
STEP 4 (Securing the frame):

Once satisfied with the alignment, open the door to a 90-degree angle once again. Drill and fastener the top portion of the frame securely.

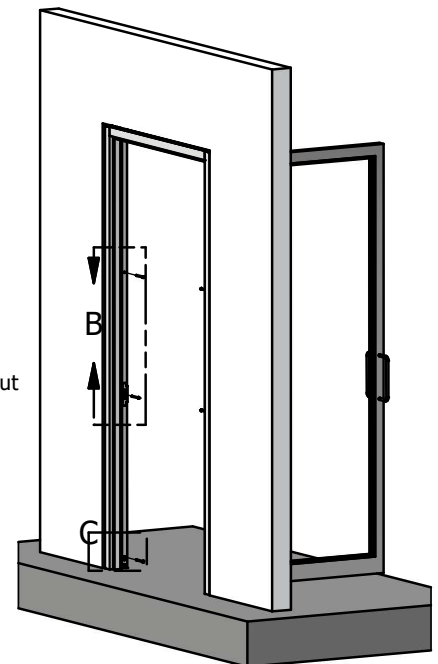
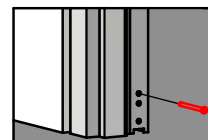
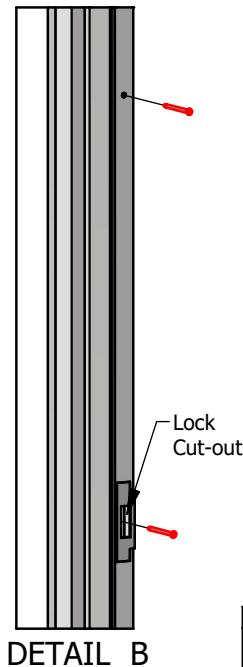
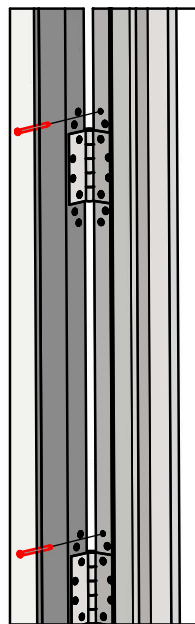
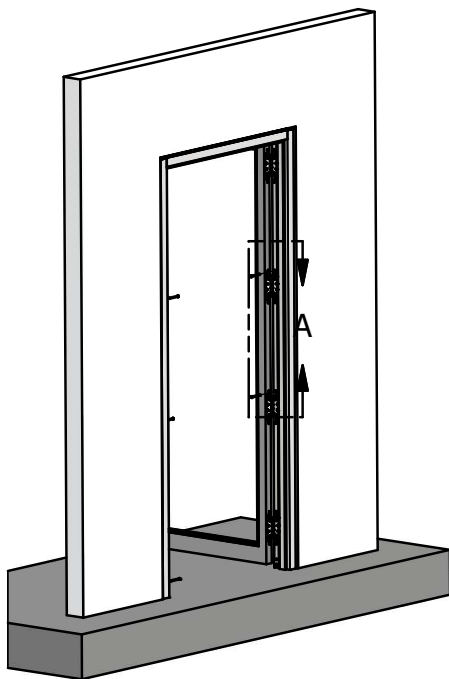


STEP 5 (Final Alignment and Adjustment):

- 1) - Open and close the door several times to check the alignment and spacing. Make any micro-adjustments as needed to ensure the door swings smoothly.



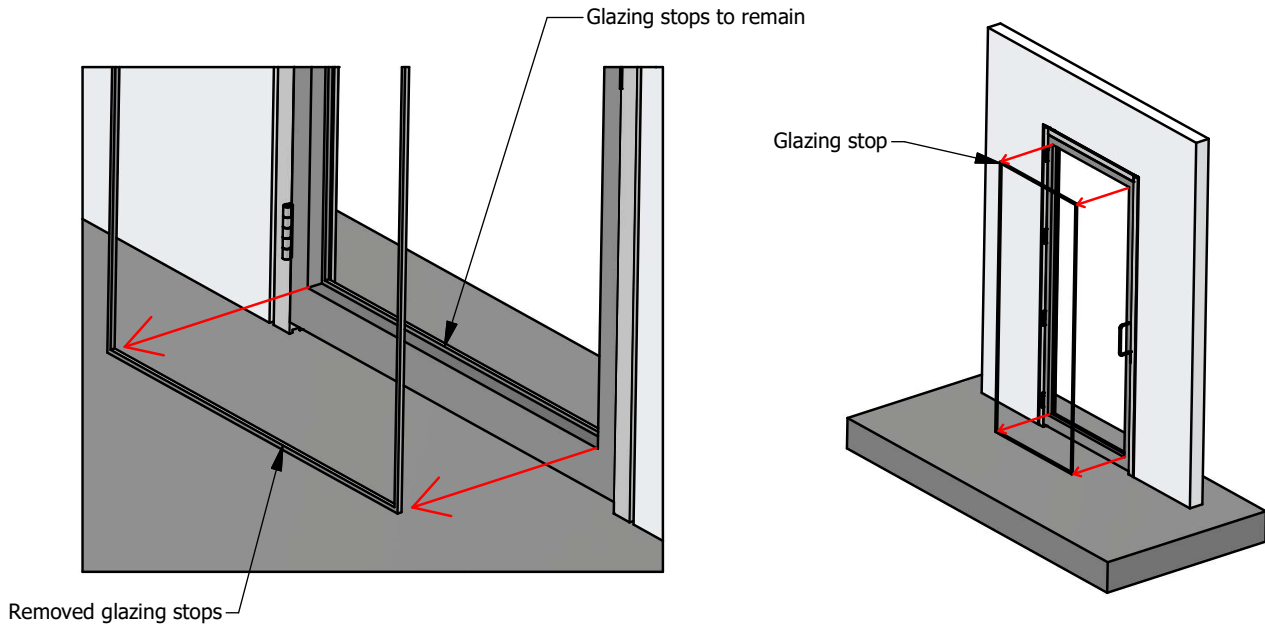
- 2)- After final adjustments, secure the bottom of the frame with a fastener. Additional fasteners should be placed at appropriate intervals along the height of the frame based on door size, with one fastener placed near the lock cut out for added security. Finally, ensure that the frame remains straight and free from any bowing, as aluminum can sometimes be warped.



Glazing Instructions

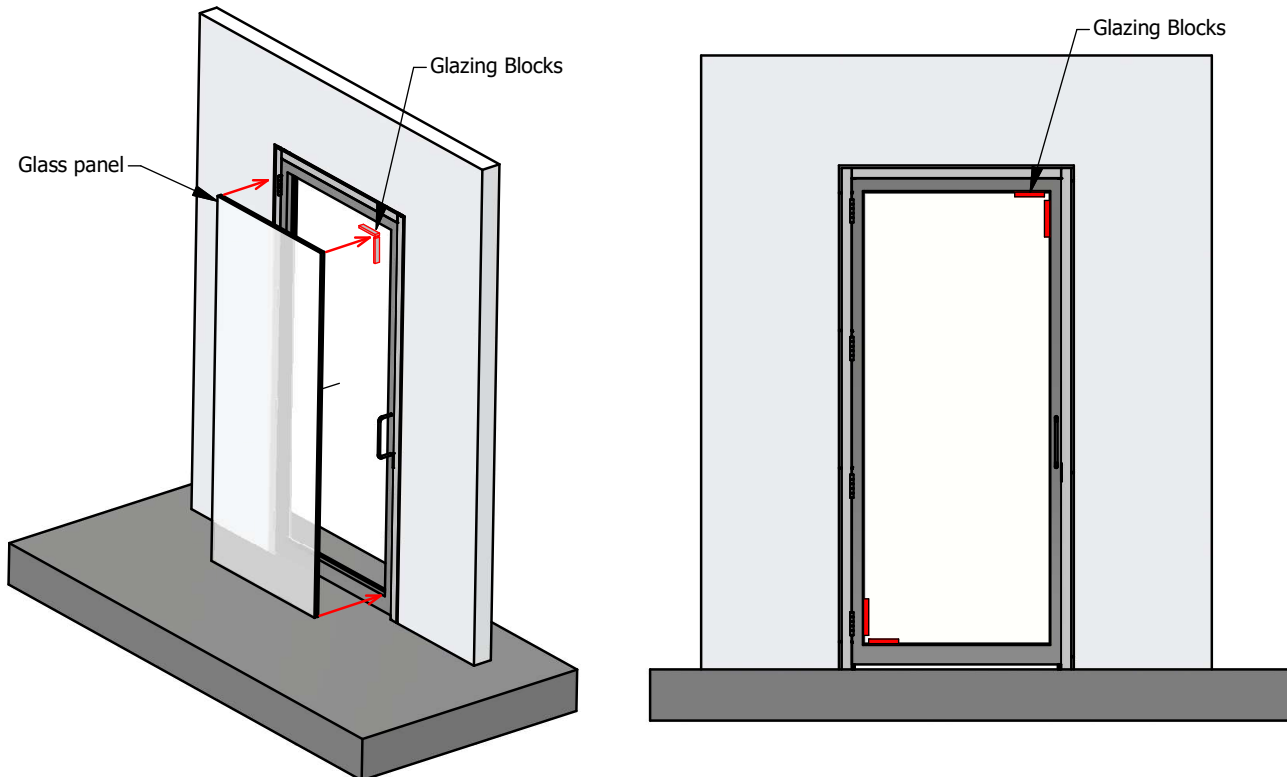
STEP 1 (Remove Glazing Stops):

1) - With the door in the closed position, carefully remove the glazing stops from one side, selecting the side most convenient for glass insertion.



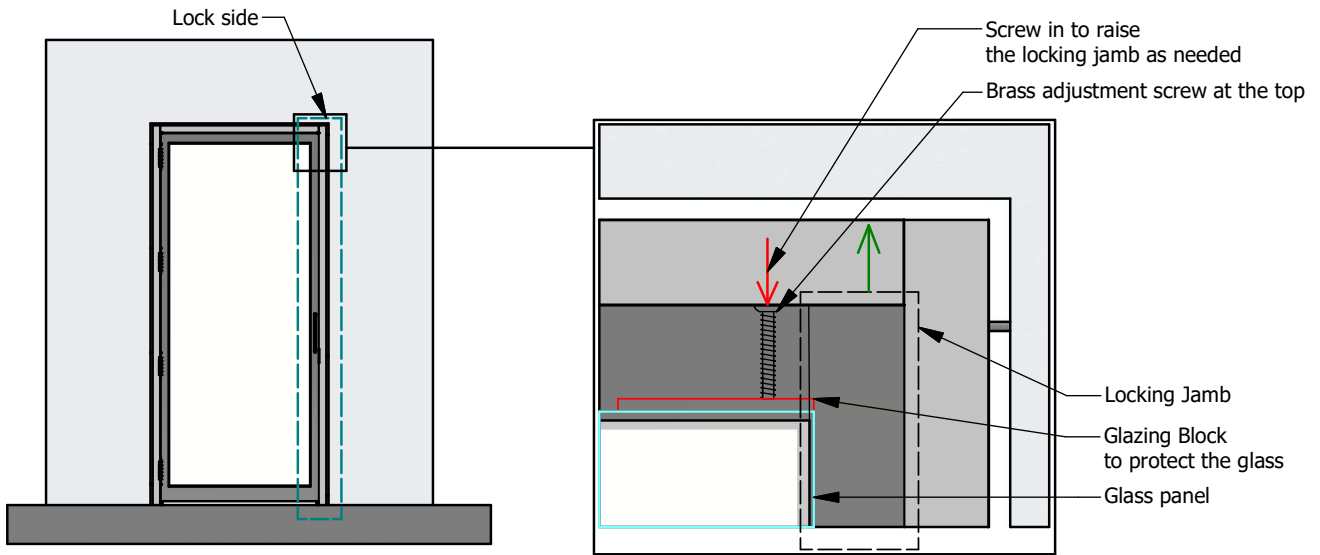
STEP 2 (Install Glazing Blocks and glass):

- Insert glazing blocks and place the glass into the door.
- Ensure the glass is properly seated.
- Arrange the glazing blocks according to the pattern shown in the diagram below to evenly distribute the glass weight onto the hinges, preventing any sagging



STEP 3 (Ensure Even Spacing and Adjustments):

Once the glass is positioned, verify that the gaps around the door are uniform. Use the brass adjustment screw located at the top of the door to raise the locking jamb if necessary, preventing future sagging. Place a glazing block between the brass screw and the glass to protect the glass during adjustments.



STEP 4 (Complete the installation):

Hammer the glazing stops back into place to finalize the installation.

