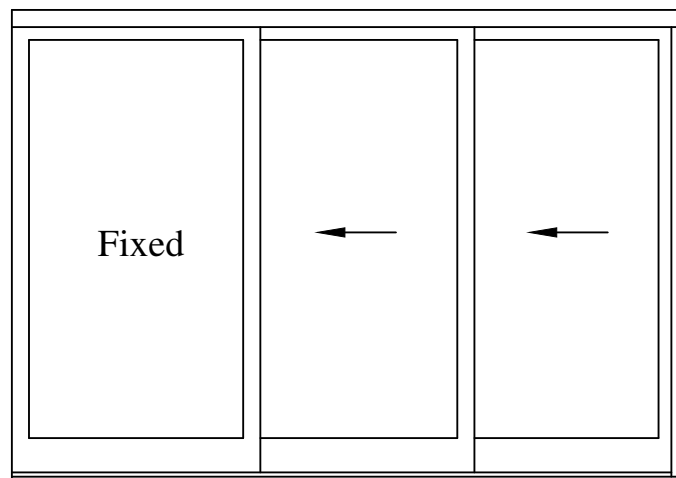


200Series SLIDING DOOR

MULTI-TRACK SLIDING DOOR



KEY FEATURES

- Interior application
- 2" wide door stiles
- $\frac{1}{4}$ ", $\frac{3}{8}$ ", $\frac{1}{2}$ " and 1" glazing options
- Multi track system



WINDSPEC INC.

MANUFACTURERS OF HIGH PERFORMANCE 'WINDSPEC' WINDOWS
ALUMINUM ENTRANCE SYSTEMS AND ARCHITECTURAL PANELS
1310 CREDITSTONE RD, CONCORD, ONTARIO L4K 5T7
Telephone (905) 738 -8311 Fax (905) 738 - 6188

FEBRUARY 2017

200Series SLIDING DOOR

TABLE OF CONTENTS

POCKET MULTI TRACK SLIDING DOORS _____	003
MULTI TRACK STACKING SLIDERS _____	006
BI-PARTING SLIDERS _____	009
SLIDING PANELS WITH A SWING DOOR _____	012
TOP RAILS, MID-RAILS AND BOTTOM RAILS OPTIONS _____	015



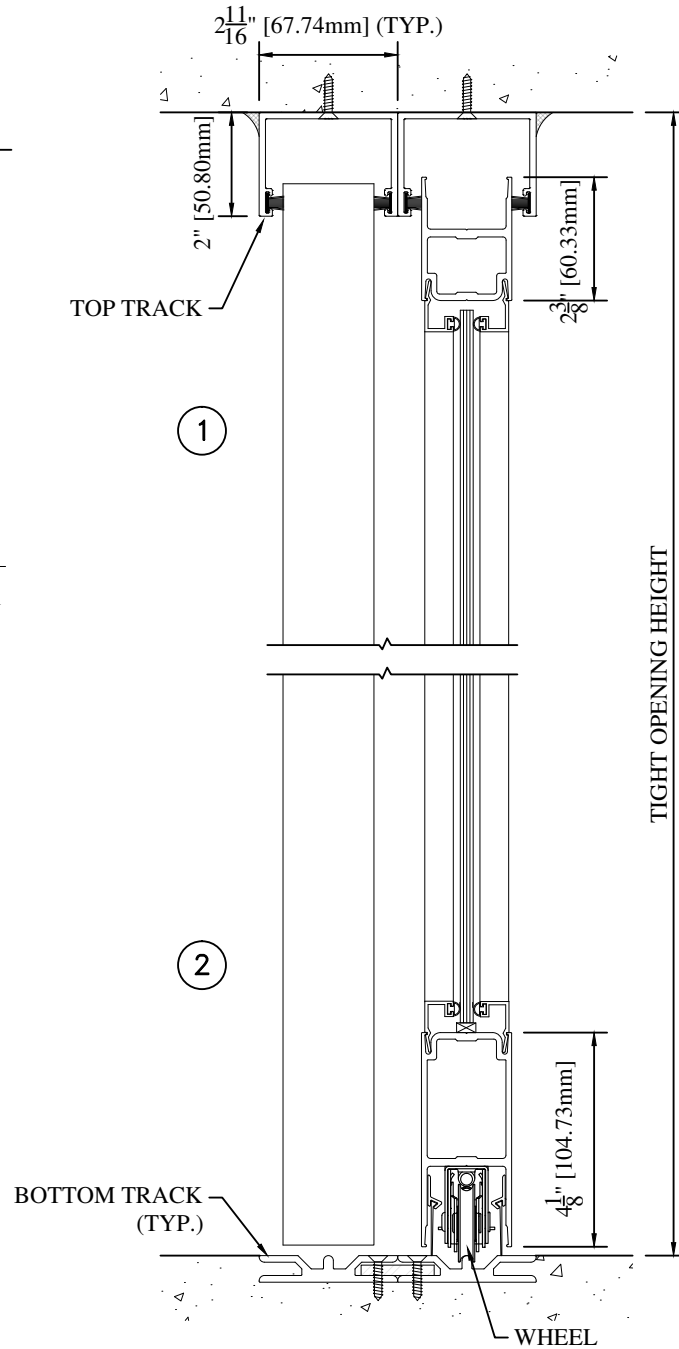
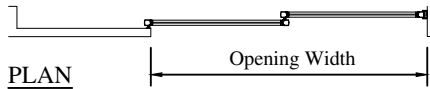
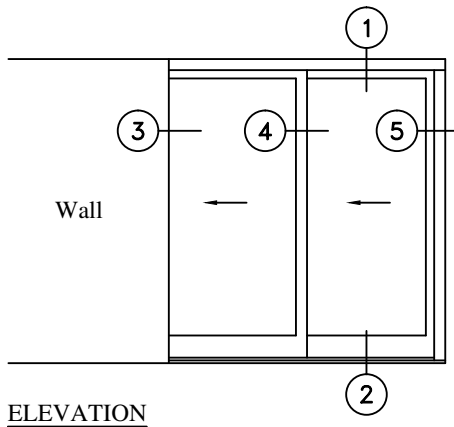
WINDSPEC INC.

MANUFACTURERS OF HIGH PERFORMANCE 'WINDSPEC' WINDOWS
ALUMINUM ENTRANCE SYSTEMS AND ARCHITECTURAL PANELS
1310 CREDITSTONE RD, CONCORD, ONTARIO L4K 5T7
Telephone (905) 738 -8311 Fax (905) 738 - 6188

FEBRUARY 2017

200Series SLIDING DOOR

POCKET MULTI TRACK SLIDING DOORS

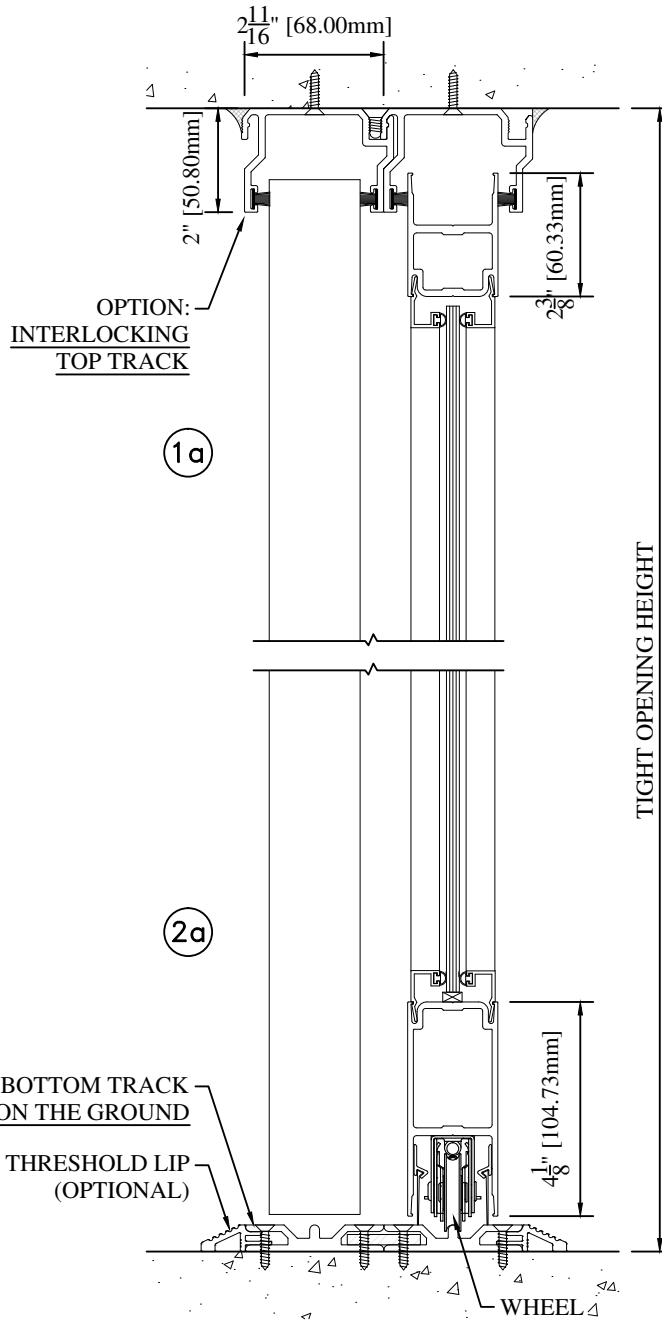


WINDSPEC INC.
 MANUFACTURERS OF HIGH PERFORMANCE 'WINDSPEC' WINDOWS
 ALUMINUM ENTRANCE SYSTEMS AND ARCHITECTURAL PANELS
 1310 CREDITSTONE RD, CONCORD, ONTARIO L4K 5T7
 Telephone (905) 738-8311 Fax (905) 738-6188

FEBRUARY 2017

200Series SLIDING DOOR

POCKET MULTI TRACK SLIDING DOORS

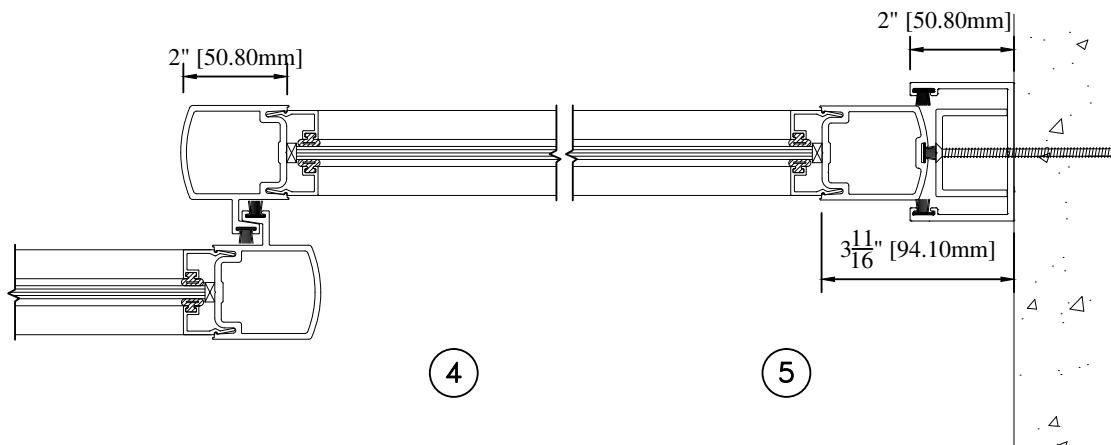
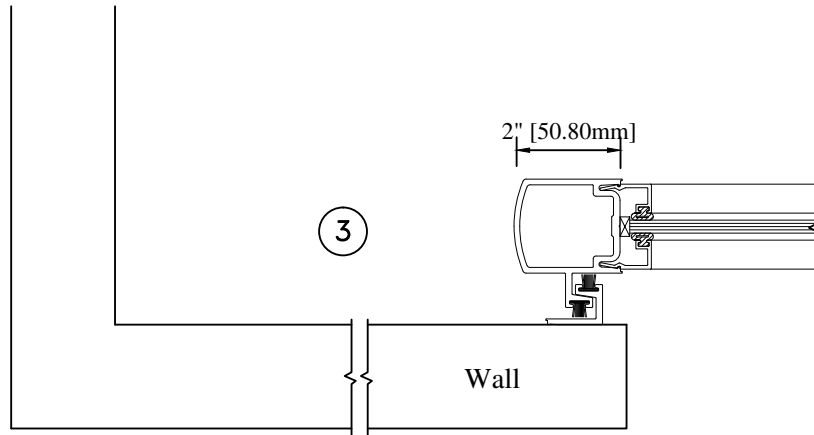


WINDSPEC INC.
MANUFACTURERS OF HIGH PERFORMANCE 'WINDSPEC' WINDOWS
ALUMINUM ENTRANCE SYSTEMS AND ARCHITECTURAL PANELS
1310 CREDITSTONE RD, CONCORD, ONTARIO L4K 5T7
Telephone (905) 738 -8311 Fax (905) 738 - 6188

FEBRUARY 2017

200Series SLIDING DOOR

POCKET MULTI TRACK SLIDING DOORS

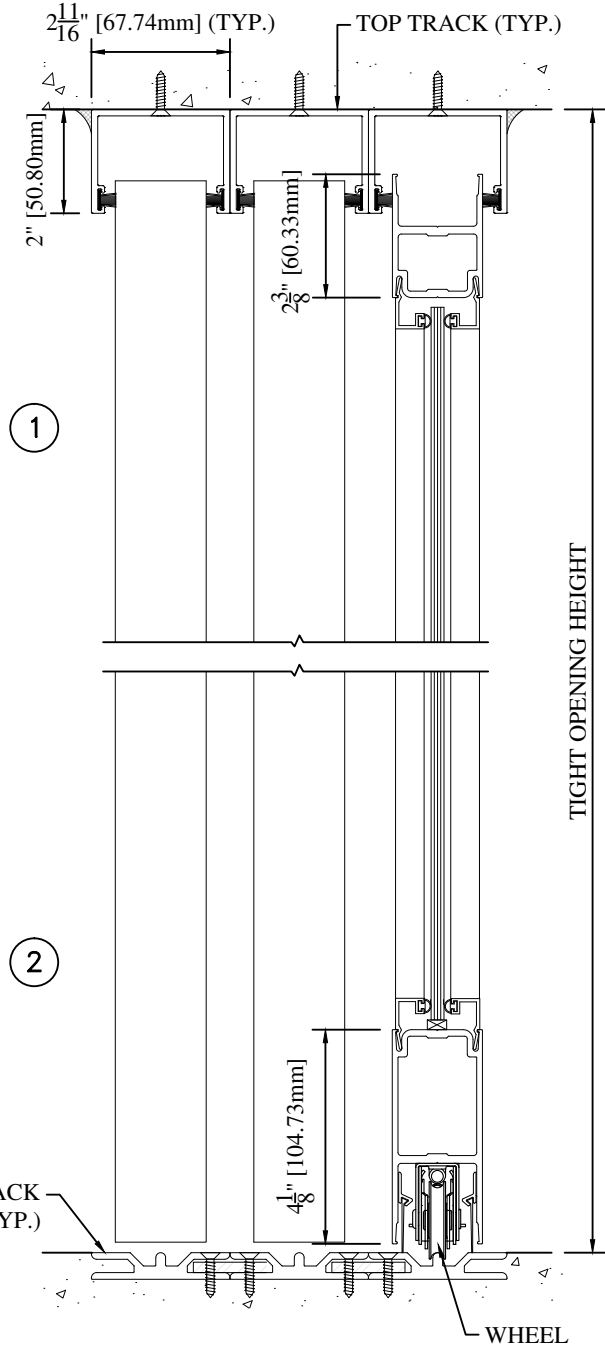
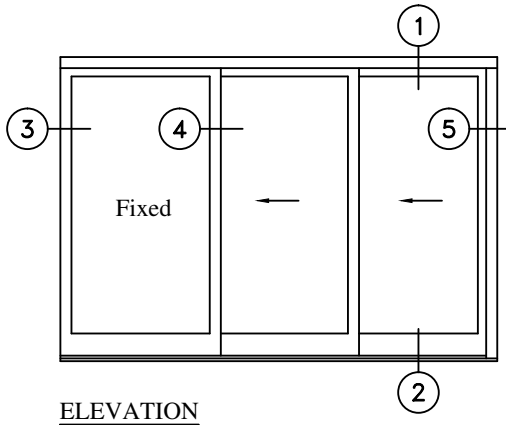


WINDSPEC INC.
MANUFACTURERS OF HIGH PERFORMANCE 'WINDSPEC' WINDOWS
ALUMINUM ENTRANCE SYSTEMS AND ARCHITECTURAL PANELS
1310 CREDITSTONE RD, CONCORD, ONTARIO L4K 5T7
Telephone (905) 738 -8311 Fax (905) 738 - 6188

FEBRUARY 2017

200Series SLIDING DOOR

MULTI TRACK STACKING SLIDERS

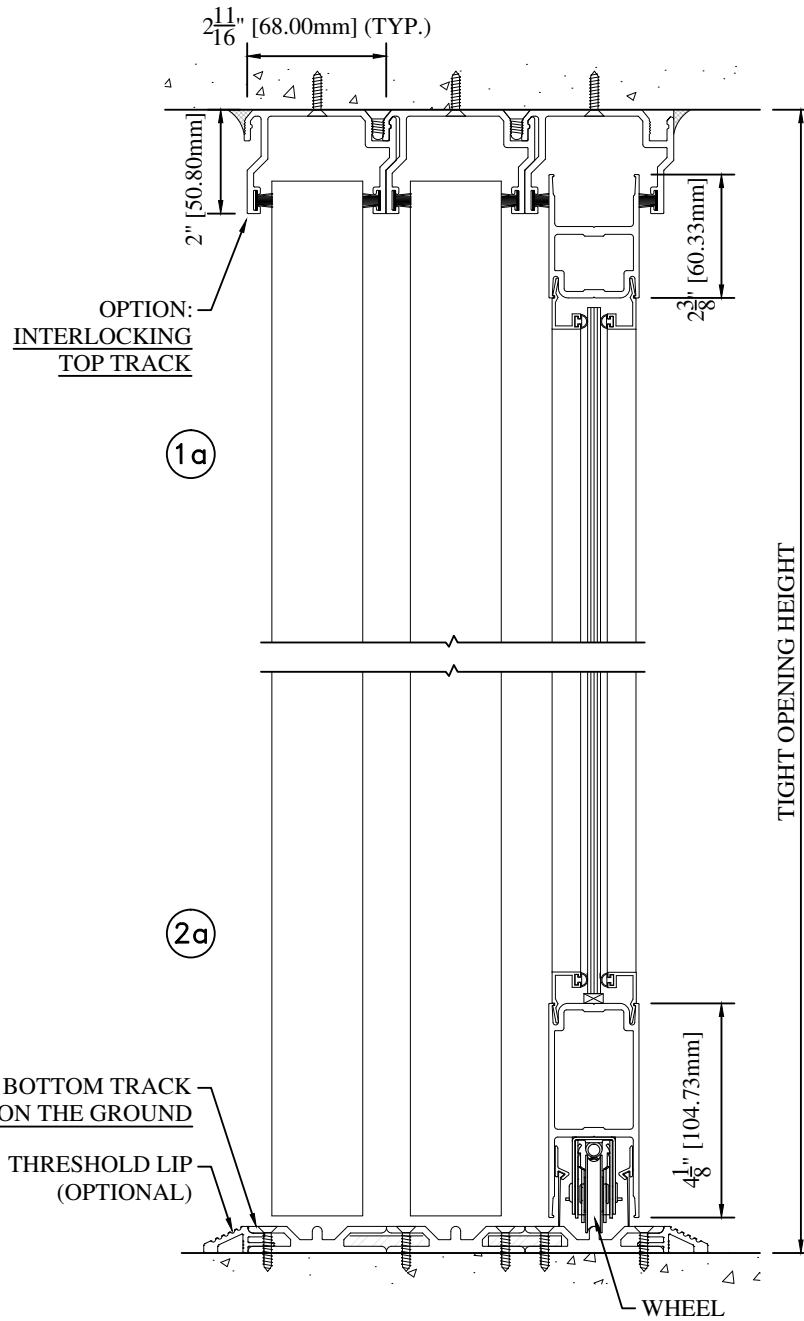


WINDSPEC INC.
MANUFACTURERS OF HIGH PERFORMANCE 'WINDSPEC' WINDOWS
ALUMINUM ENTRANCE SYSTEMS AND ARCHITECTURAL PANELS
1310 CREDITSTONE RD, CONCORD, ONTARIO L4K 5T7
Telephone (905) 738-8311 Fax (905) 738-6188

FEBRUARY 2017

200Series SLIDING DOOR

MULTI TRACK STACKING SLIDERS

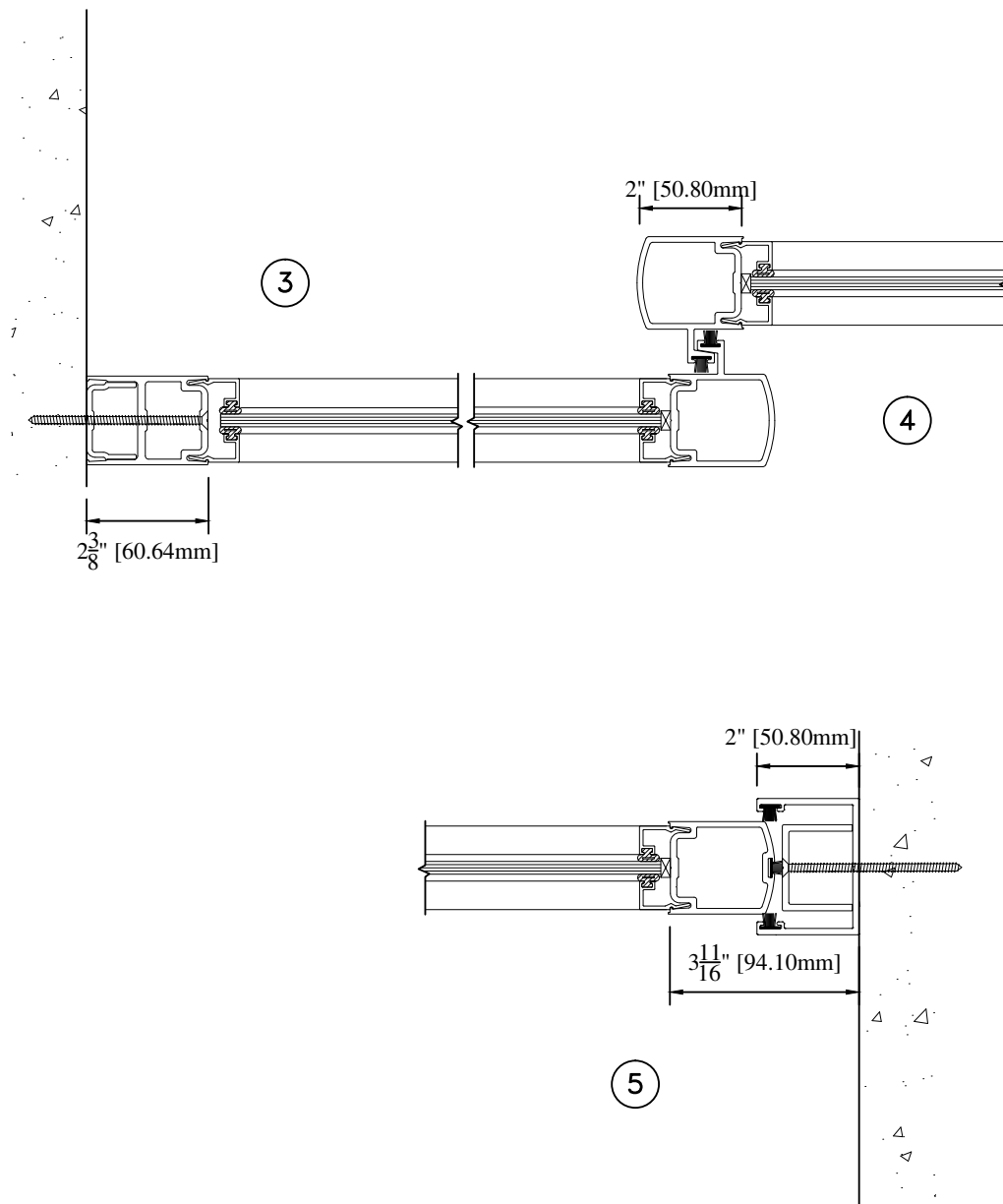


WINDSPEC INC.
MANUFACTURERS OF HIGH PERFORMANCE 'WINDSPEC' WINDOWS
ALUMINUM ENTRANCE SYSTEMS AND ARCHITECTURAL PANELS
1310 CREDITSTONE RD, CONCORD, ONTARIO L4K 5T7
Telephone (905) 738-8311 Fax (905) 738-6188

FEBRUARY 2017

200Series SLIDING DOOR

MULTI TRACK STACKING SLIDERS

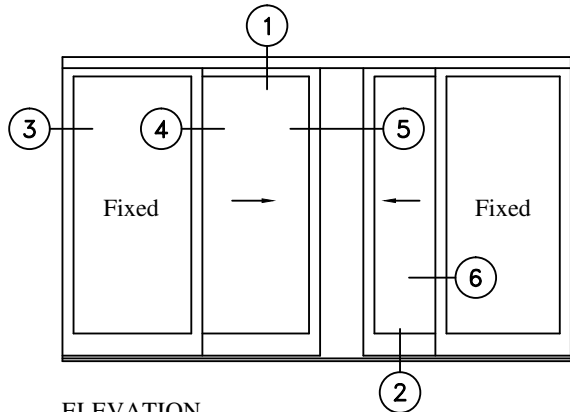


WINDSPEC INC.
MANUFACTURERS OF HIGH PERFORMANCE 'WINDSPEC' WINDOWS
ALUMINUM ENTRANCE SYSTEMS AND ARCHITECTURAL PANELS
1310 CREDITSTONE RD, CONCORD, ONTARIO L4K 5T7
Telephone (905) 738-8311 Fax (905) 738-6188

FEBRUARY 2017

200Series SLIDING DOOR

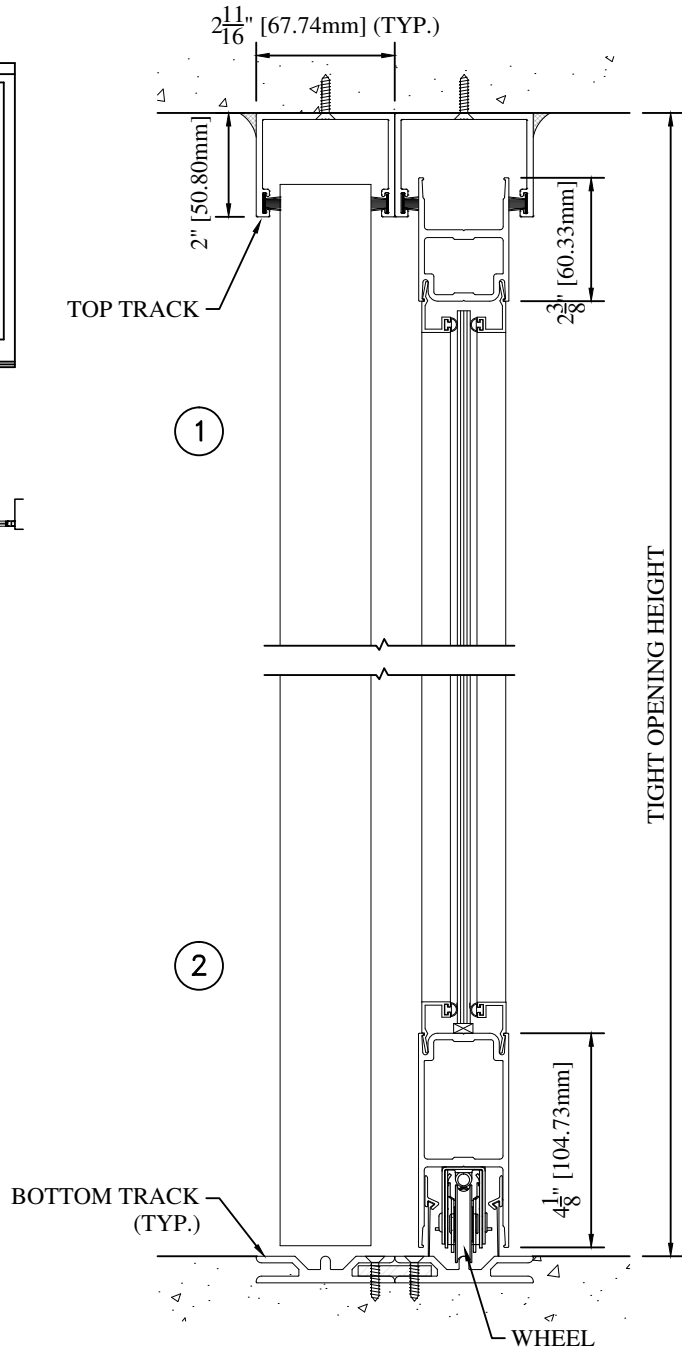
BI-PARTING SLIDERS



ELEVATION



PLAN

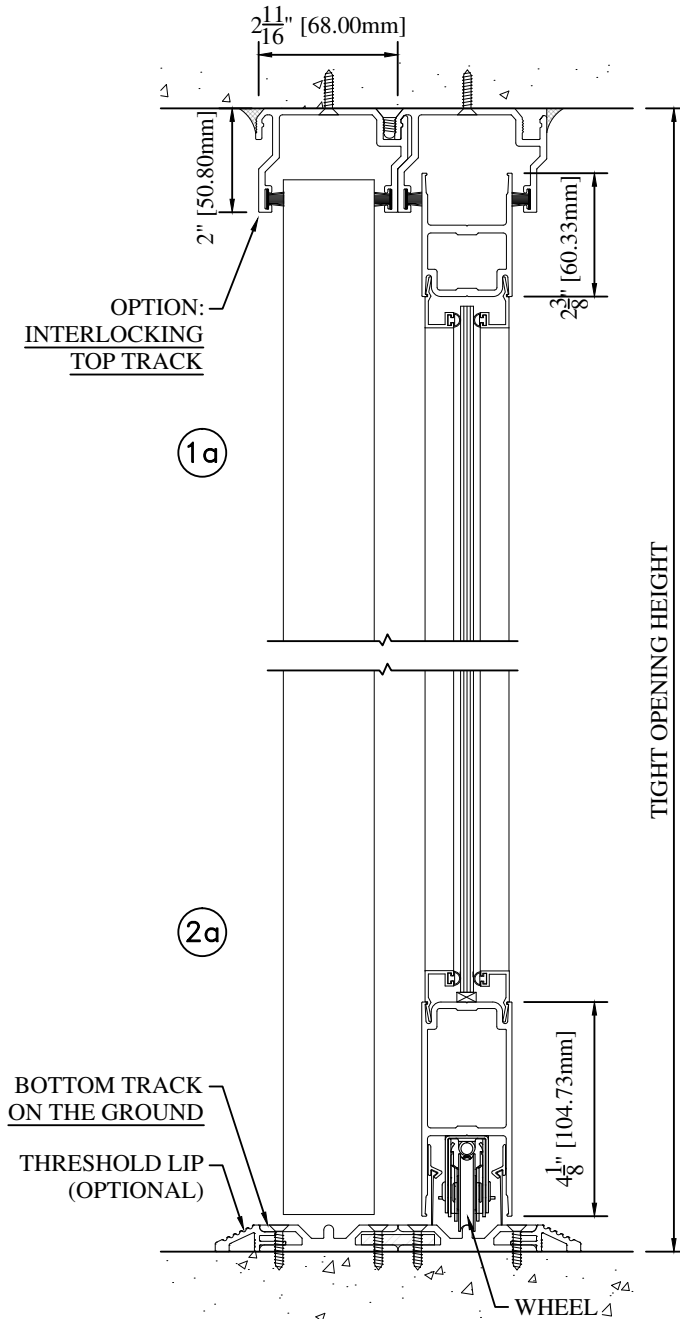


WINDSPEC INC.
MANUFACTURERS OF HIGH PERFORMANCE 'WINDSPEC' WINDOWS
ALUMINUM ENTRANCE SYSTEMS AND ARCHITECTURAL PANELS
1310 CREDITSTONE RD, CONCORD, ONTARIO L4K 5T7
Telephone (905) 738 -8311 Fax (905) 738 - 6188

FEBRUARY 2017

200Series SLIDING DOOR

BI-PARTING SLIDERS

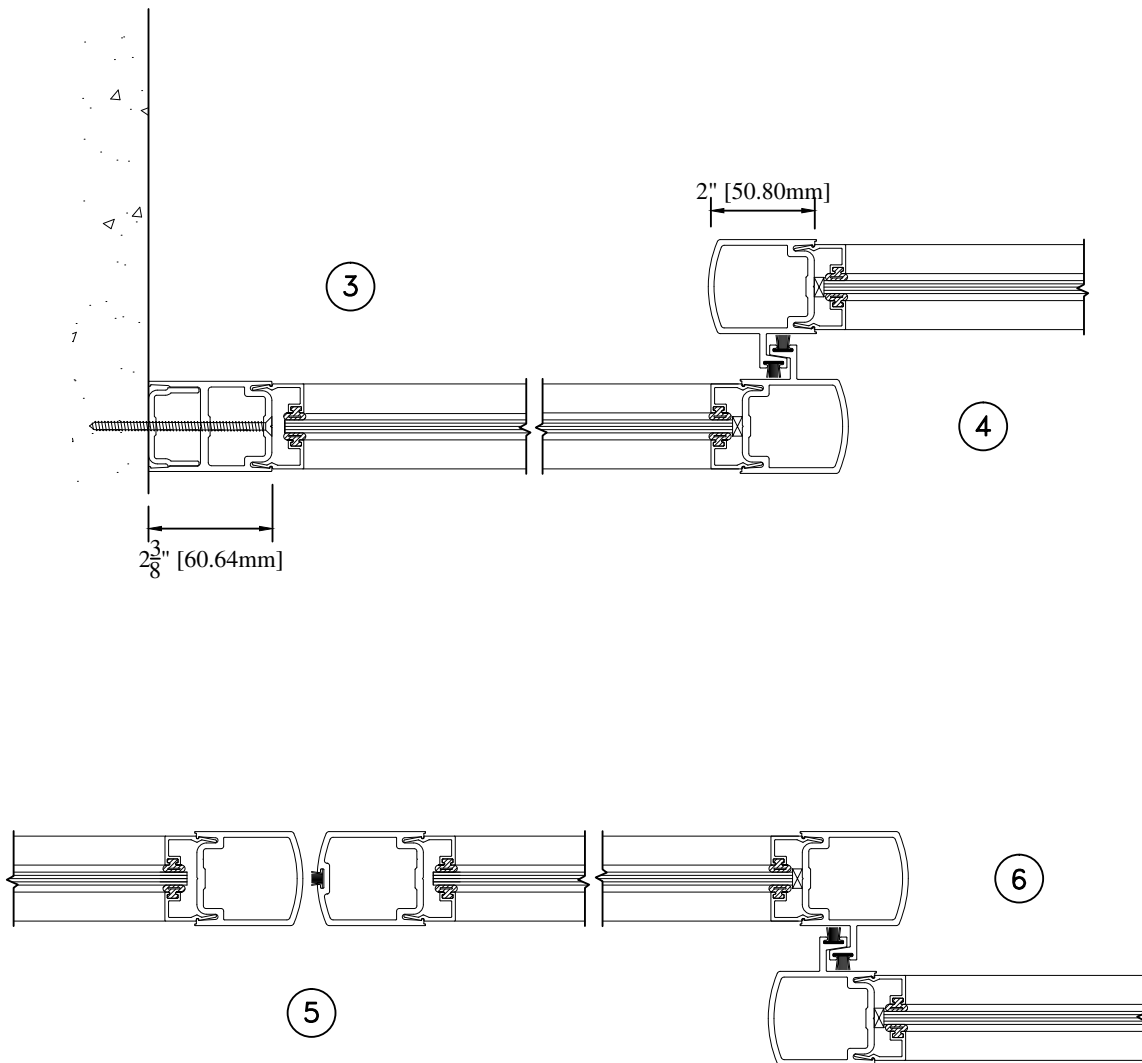


WINDSPEC INC.
MANUFACTURERS OF HIGH PERFORMANCE 'WINDSPEC' WINDOWS
ALUMINUM ENTRANCE SYSTEMS AND ARCHITECTURAL PANELS
1310 CREDITSTONE RD, CONCORD, ONTARIO L4K 5T7
Telephone (905) 738 -8311 Fax (905) 738 - 6188

FEBRUARY 2017

200Series SLIDING DOOR

BI-PARTING SLIDERS

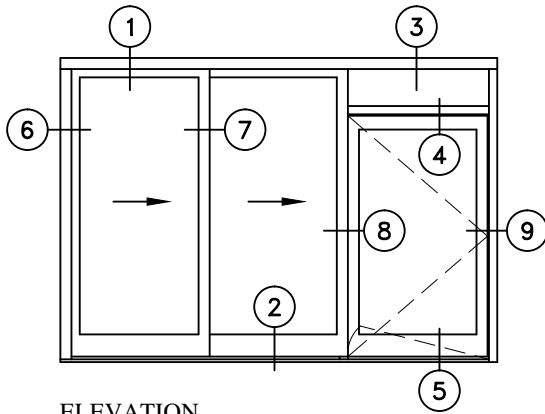


WINDSPEC INC.
MANUFACTURERS OF HIGH PERFORMANCE 'WINDSPEC' WINDOWS
ALUMINUM ENTRANCE SYSTEMS AND ARCHITECTURAL PANELS
1310 CREDITSTONE RD, CONCORD, ONTARIO L4K 5T7
Telephone (905) 738 -8311 Fax (905) 738 - 6188

FEBRUARY 2017

200Series SLIDING DOOR

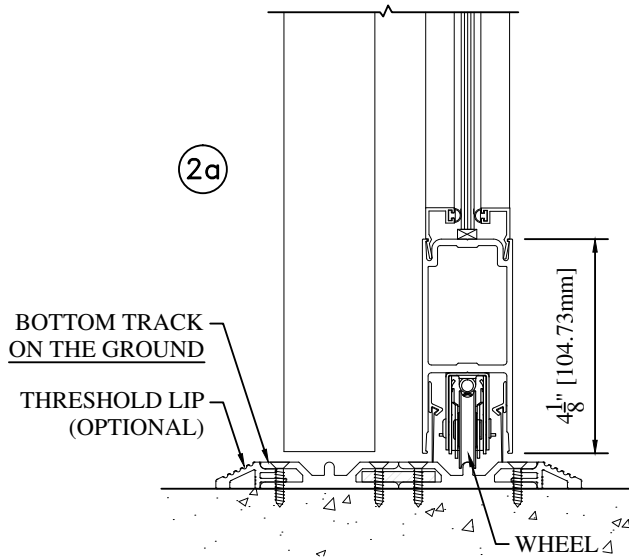
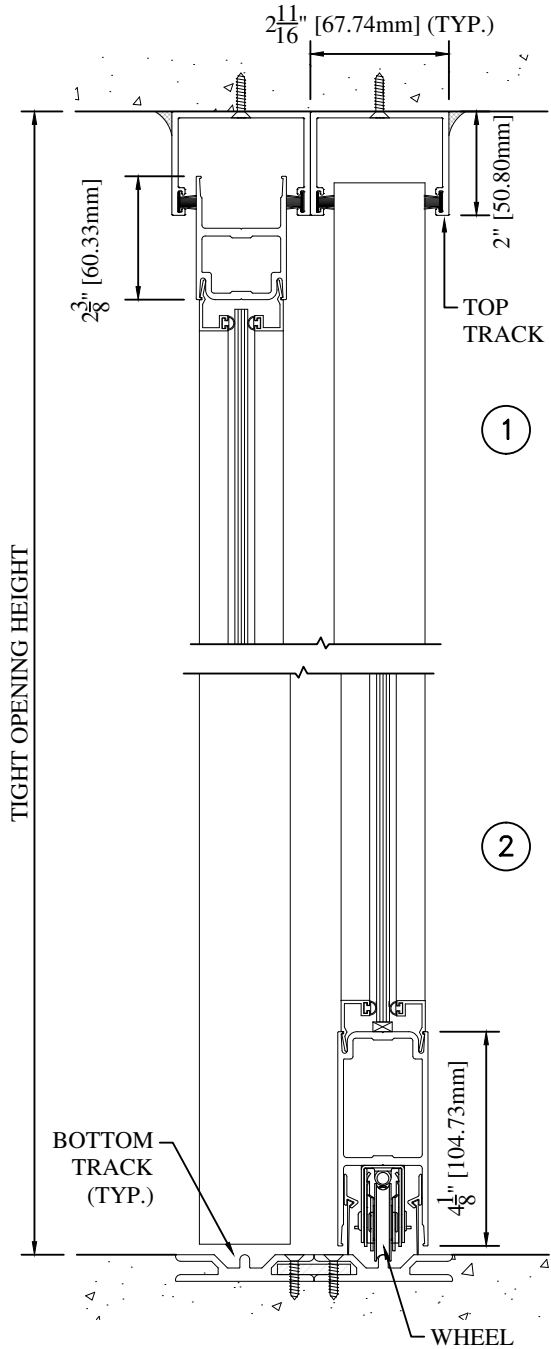
SLIDING PANELS WITH A SWING DOOR



ELEVATION



PLAN

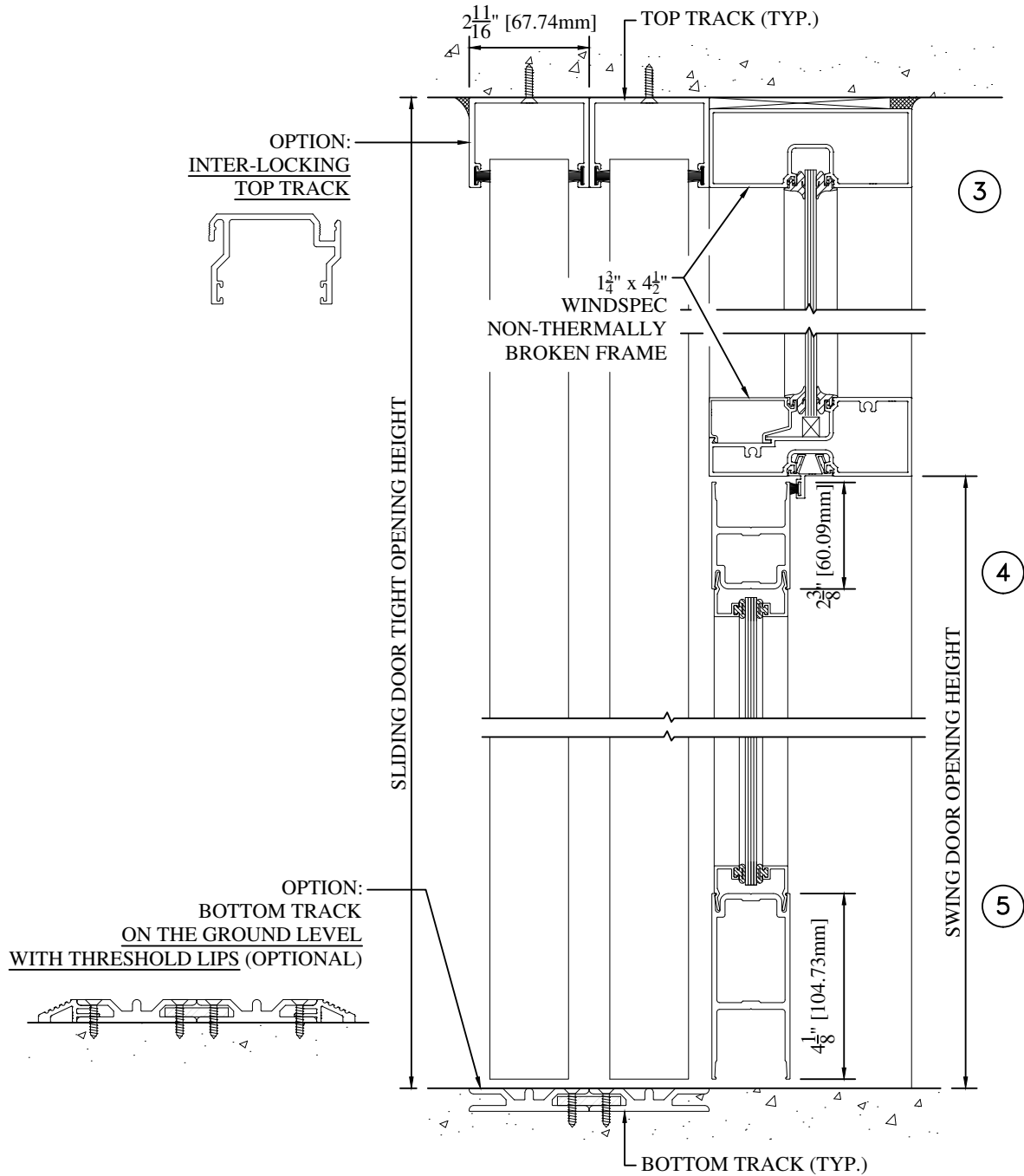


WINDSPEC INC.
 MANUFACTURERS OF HIGH PERFORMANCE 'WINDSPEC' WINDOWS
 ALUMINUM ENTRANCE SYSTEMS AND ARCHITECTURAL PANELS
 1310 CREDITSTONE RD, CONCORD, ONTARIO L4K 5T7
 Telephone (905) 738-8311 Fax (905) 738-6188

FEBRUARY 2017

200Series SLIDING DOOR

SLIDING PANELS WITH A SWING DOOR

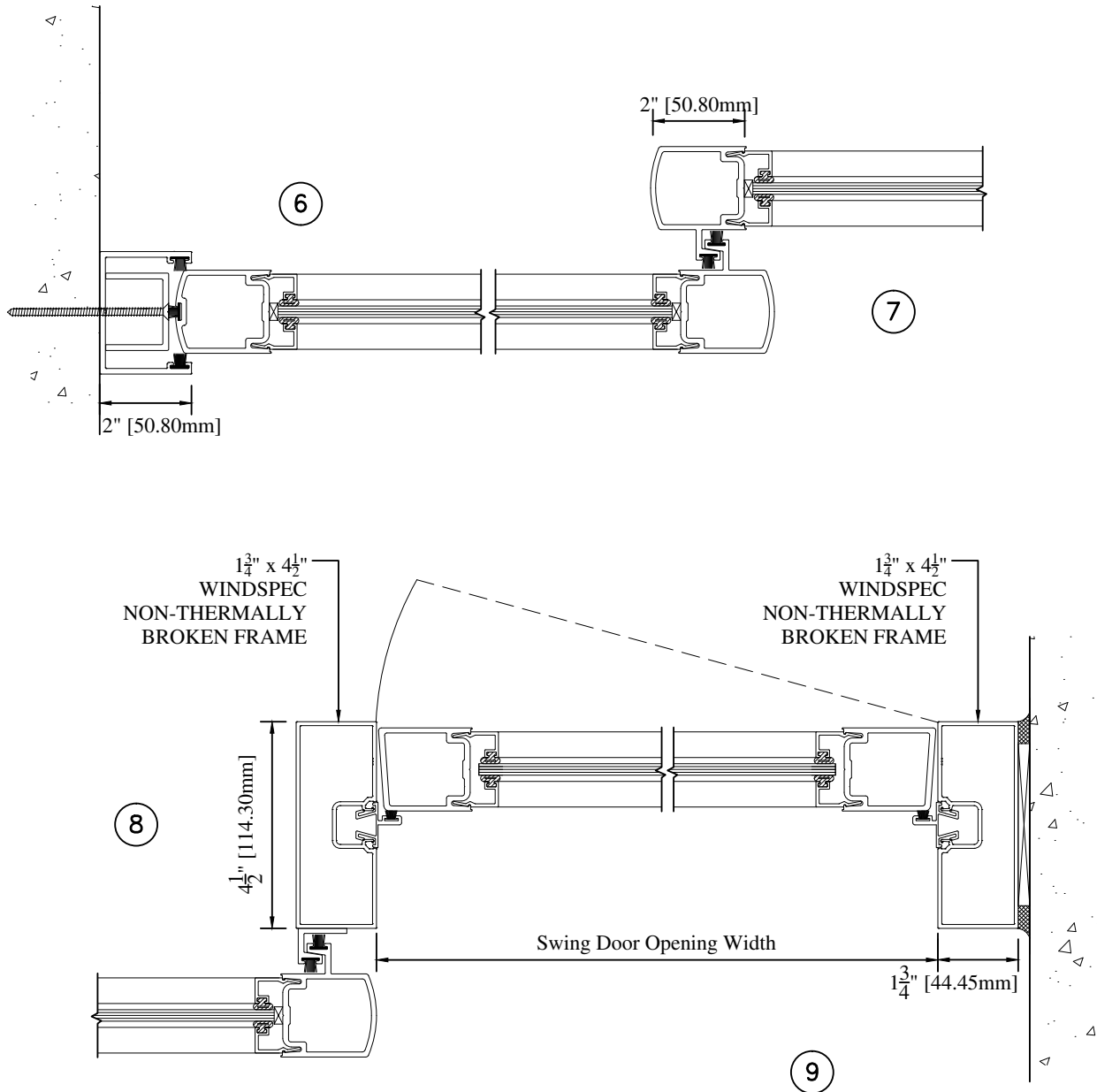


WINDSPEC INC.
MANUFACTURERS OF HIGH PERFORMANCE 'WINDSPEC' WINDOWS
ALUMINUM ENTRANCE SYSTEMS AND ARCHITECTURAL PANELS
1310 CREDITSTONE RD, CONCORD, ONTARIO L4K 5T7
Telephone (905) 738-8311 Fax (905) 738-6188

FEBRUARY 2017

200Series SLIDING DOOR

SLIDING PANELS WITH A SWING DOOR

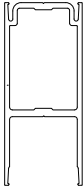
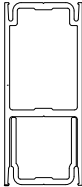


WINDSPEC INC.
MANUFACTURERS OF HIGH PERFORMANCE 'WINDSPEC' WINDOWS
ALUMINUM ENTRANCE SYSTEMS AND ARCHITECTURAL PANELS
1310 CREDITSTONE RD, CONCORD, ONTARIO L4K 5T7
Telephone (905) 738 -8311 Fax (905) 738 - 6188

FEBRUARY 2017

200Series SLIDING DOOR

TOP RAILS, MID-RAILS & BOTTOM RAILS OPTIONS

Available Sizes	Top / Bottom Rails 	Intermediate Rails 
1"		*
1 $\frac{3}{4}$ "		*
2 $\frac{3}{8}$ "	*	*
4 $\frac{1}{8}$ "	*	*
5 $\frac{1}{2}$ "	*	*
7"	*	*
8"	*	*
10"	*	*
12"	*	*



WINDSPEC INC.

MANUFACTURERS OF HIGH PERFORMANCE 'WINDSPEC' WINDOWS
ALUMINUM ENTRANCE SYSTEMS AND ARCHITECTURAL PANELS
1310 CREDITSTONE RD, CONCORD, ONTARIO L4K 5T7
Telephone (905) 738 -8311 Fax (905) 738 - 6188

FEBRUARY 2017