

# 630 SERIES

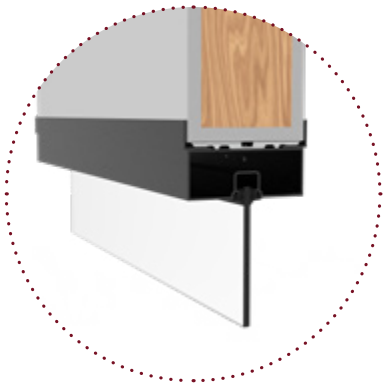


## PRE-ASSEMBLED SWING & SLIDE CENTERED GLASS FRAMING SYSTEM

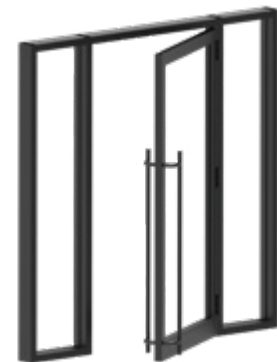
### FEATURES

- Interior flush glaze
- Non-thermally broken
- 1 3/4" x 4 1/2" profile
- Exterior or interior glazed
- 6mm, 10mm and 12mm glazing thickness
- Compatible with Windspec swing doors and sliding doors
- Optional Integrated top track
- Drywall trim package available
- Cross-compatible systems engineered for superior installation efficiency.

### Optional overlap drywall trim kit



630 integrated with swing door



630 integrated with slide door



ADAPT | INNOVATE | DELIVER

# 630 SERIES

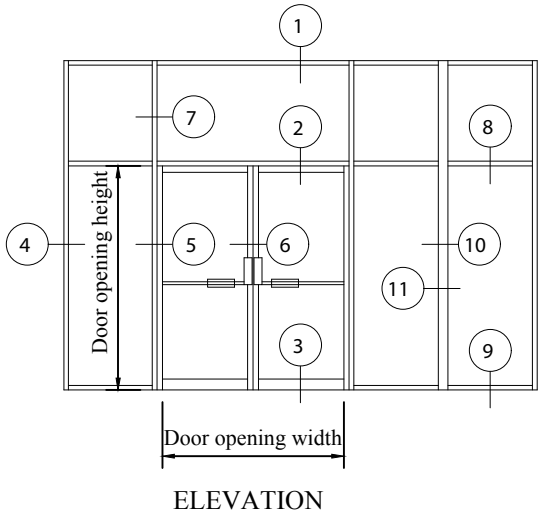
## TABLE OF CONTENTS



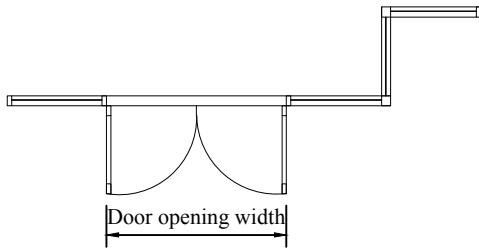
TYPICAL SECTION & SWING DOOR SECTION DETAILS .....	3
TYPICAL SLIDING DOOR SECTION DETAILS .....	7
TYPICAL MUNTIN OPTION DETAILS .....	11
TYPICAL DRYWALL TRIM DETAILS.....	12
WIND LOAD CHARTS .....	13
PARTS LIST .....	14

# 630 SERIES

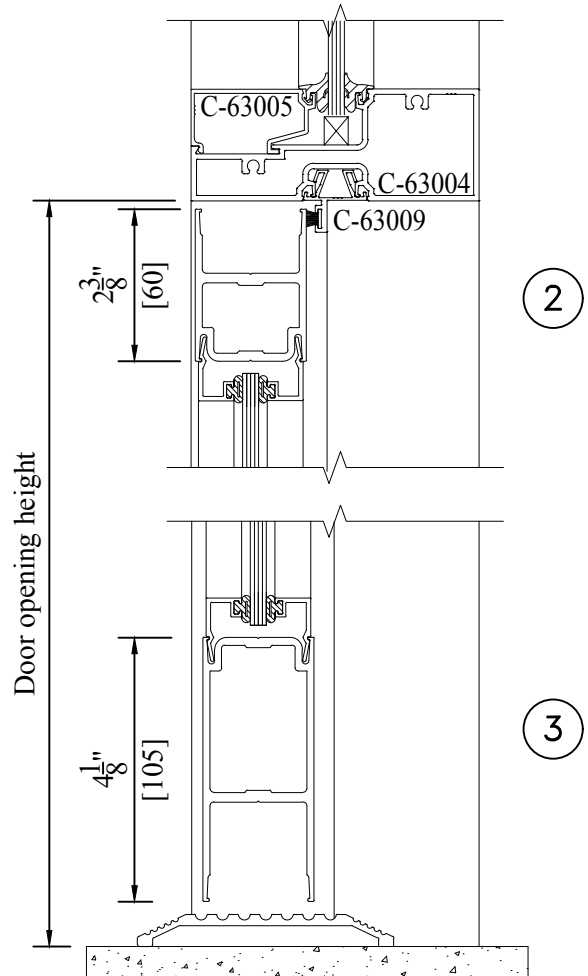
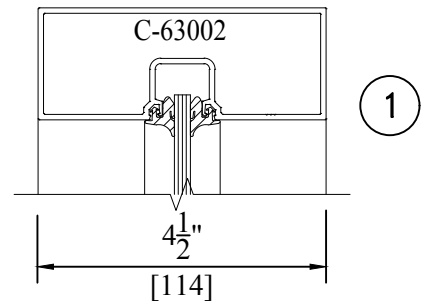
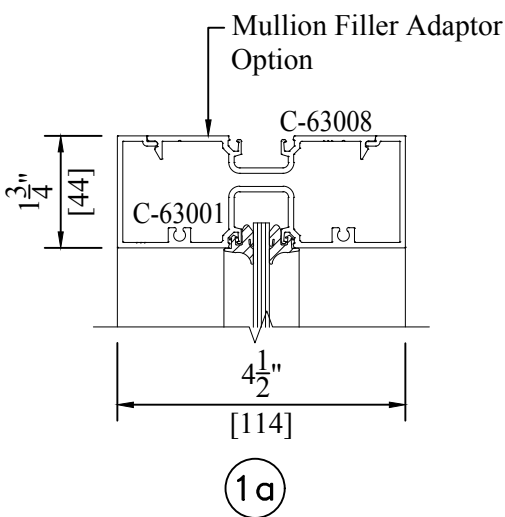
## TYPICAL SECTION & SWING DOOR SECTION DETAILS



ELEVATION

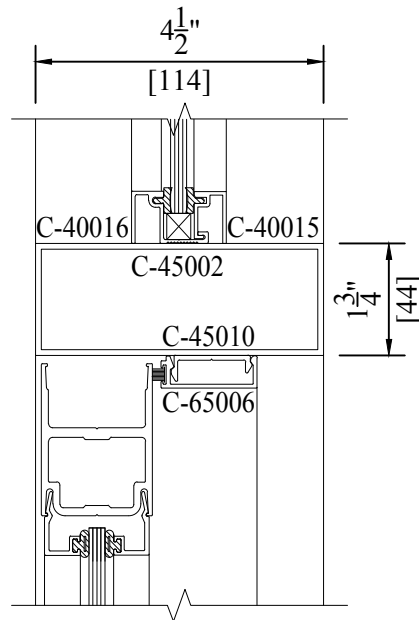


PLAN



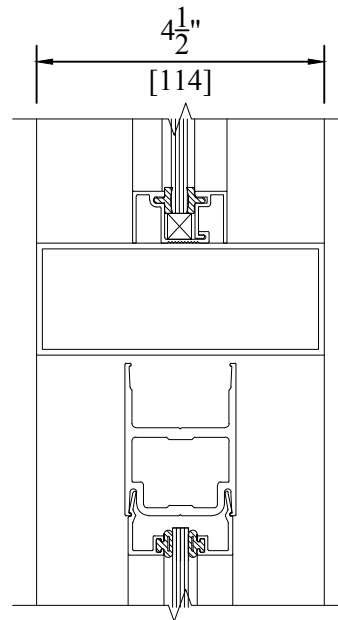
# 630 SERIES

## TYPICAL SECTION & SWING DOOR SECTION DETAILS



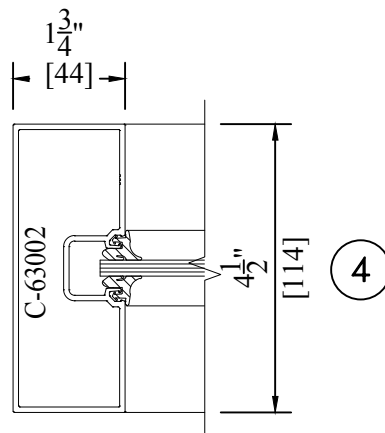
Std. Concealed Closer  
Application

2a

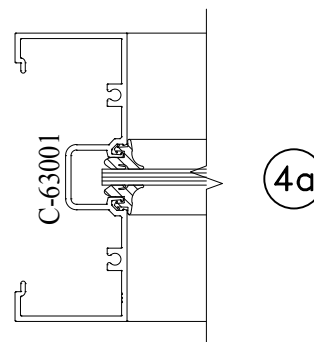


Std. Concealed Closer  
with Center Hung Door

2b



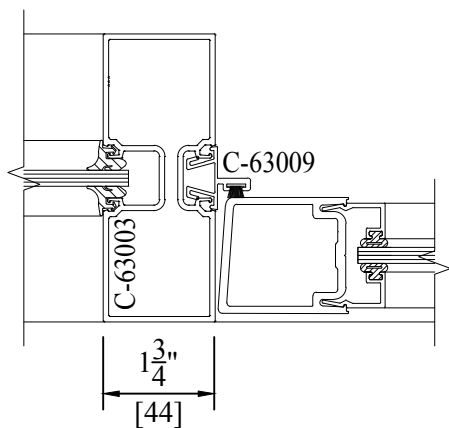
4



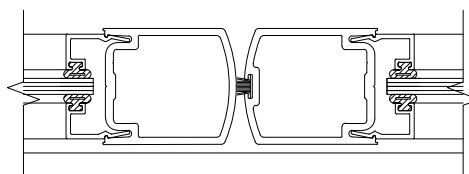
4a

# 630 SERIES

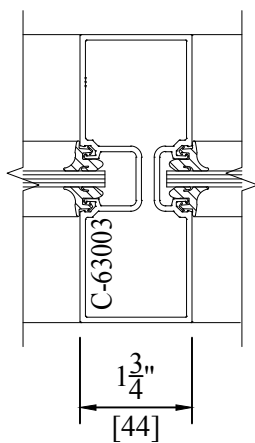
## TYPICAL SECTION & SWING DOOR SECTION DETAILS



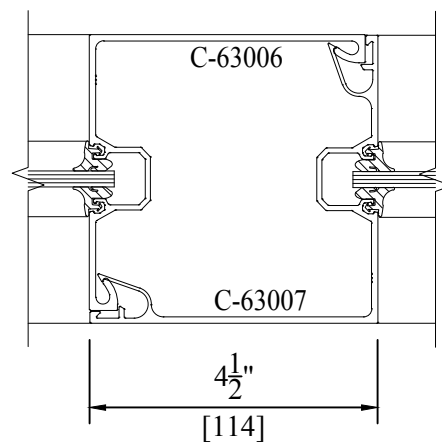
5



6



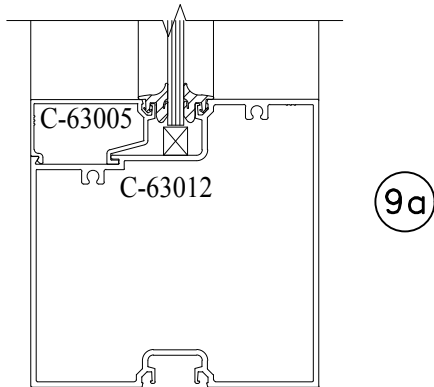
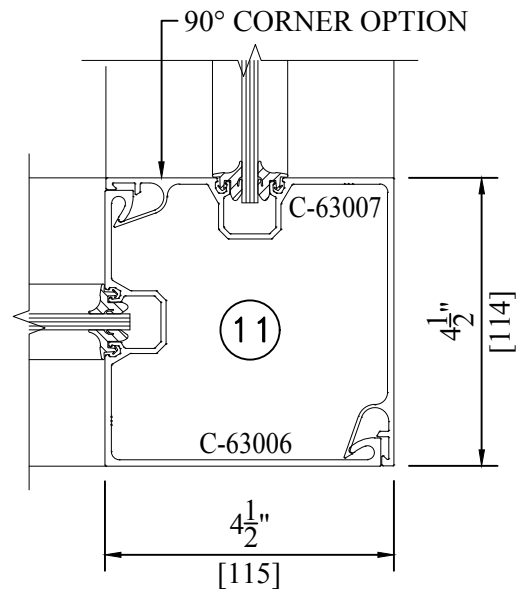
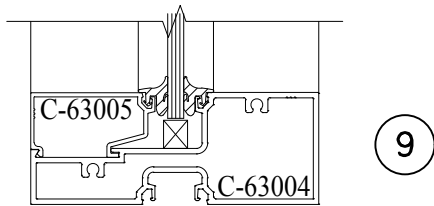
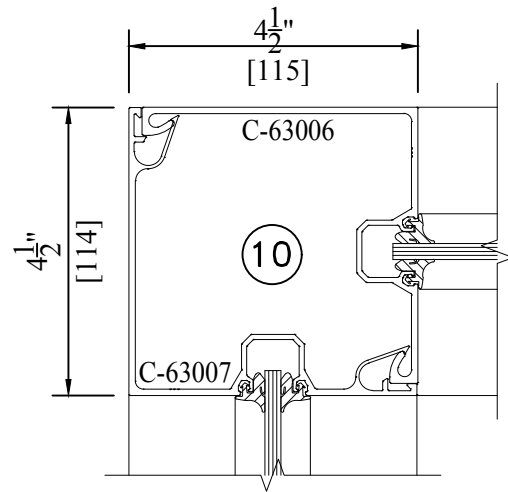
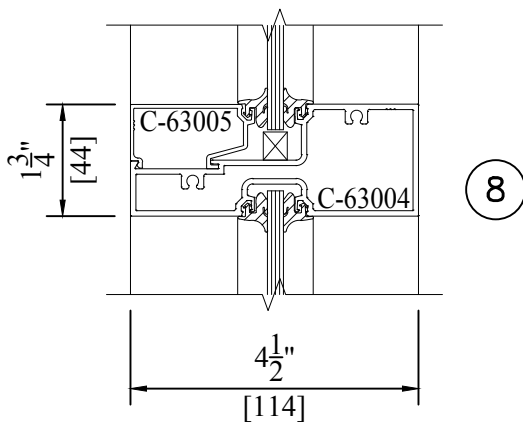
7



7a

# 630 SERIES

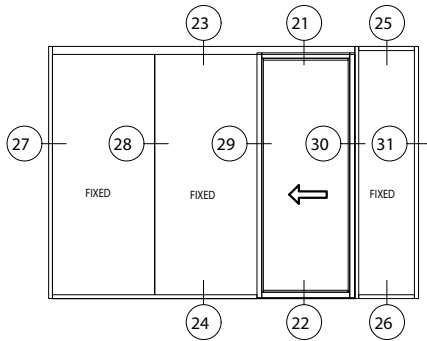
## TYPICAL SECTION & SWING DOOR SECTION DETAILS



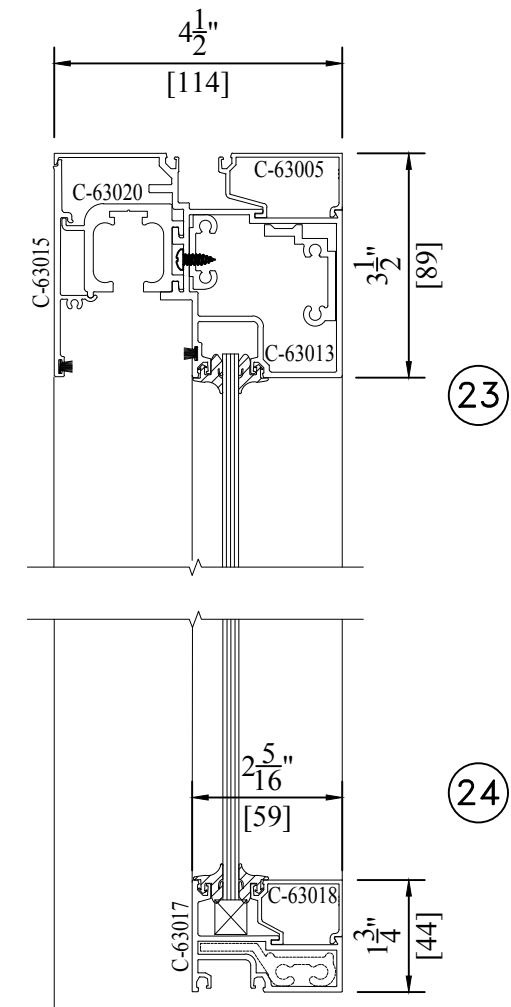
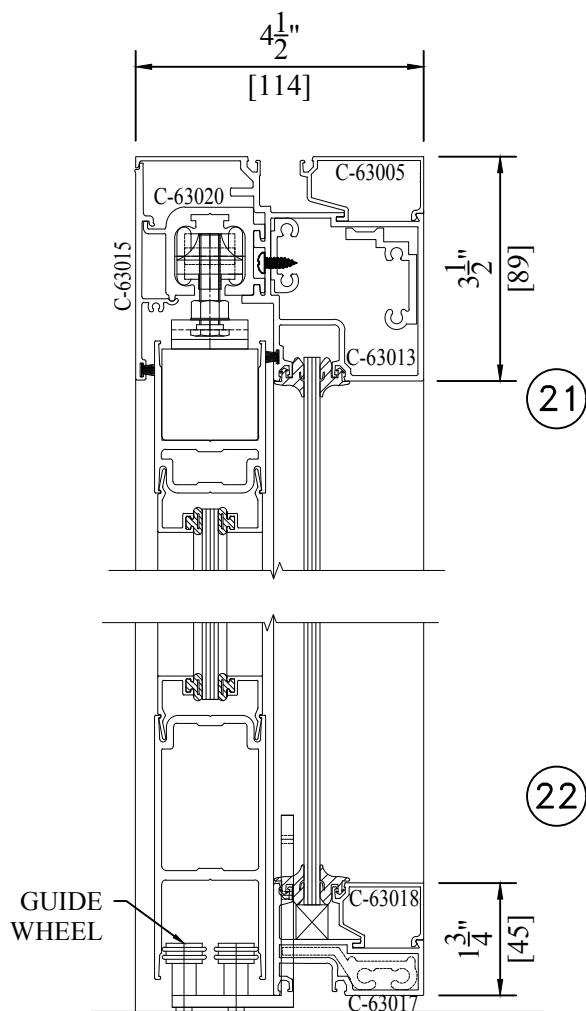
# 630 SERIES



## TYPICAL SECTION & SWING DOOR SECTION DETAILS

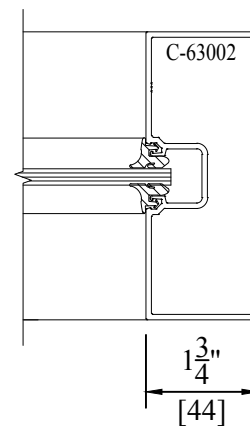
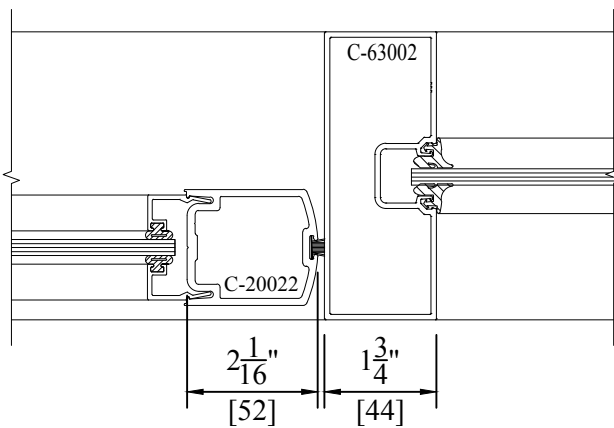
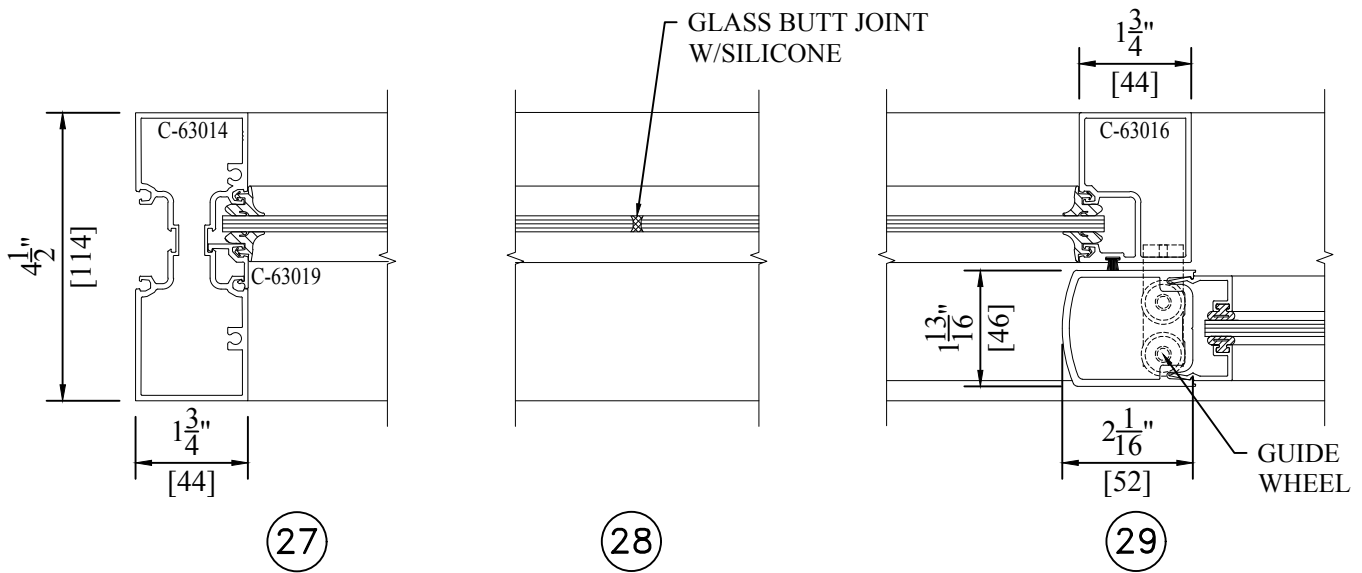
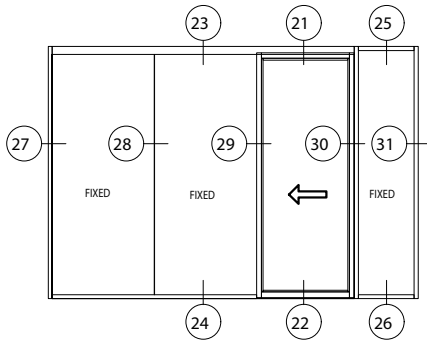


Note: Narrow stile door shown for reference. See standard door catalogue for door profiles available.



# 630 SERIES

## WELDED COMMERCIAL DOOR & 210 SCREW CHASE DOOR

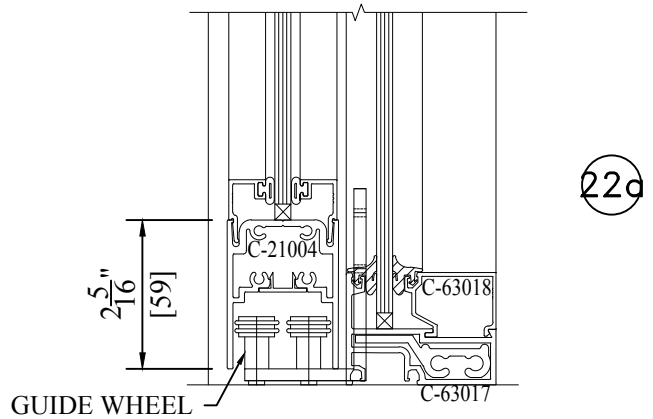
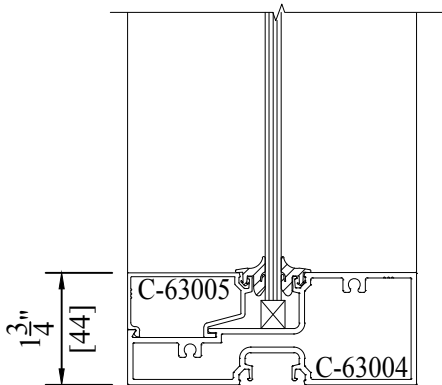
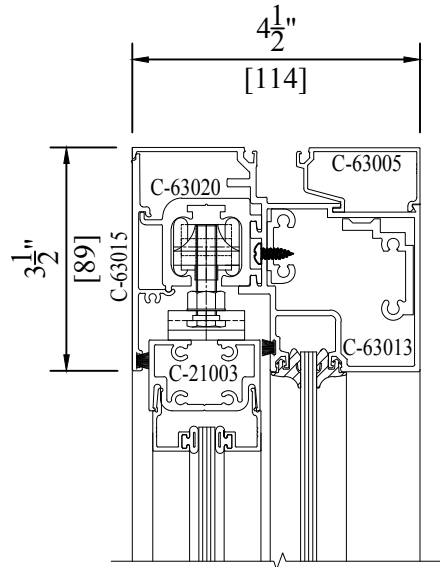
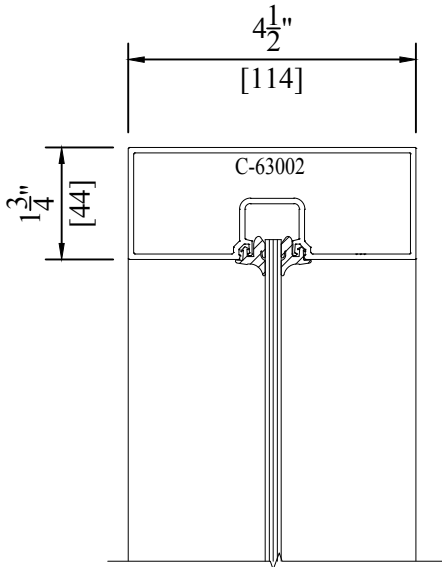
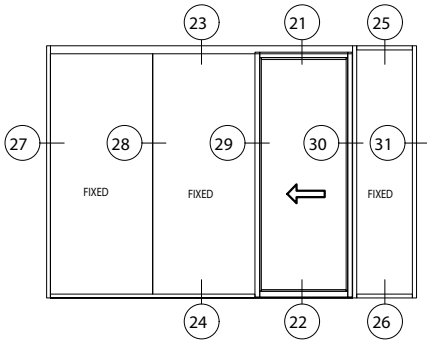


30

31

# 630 SERIES

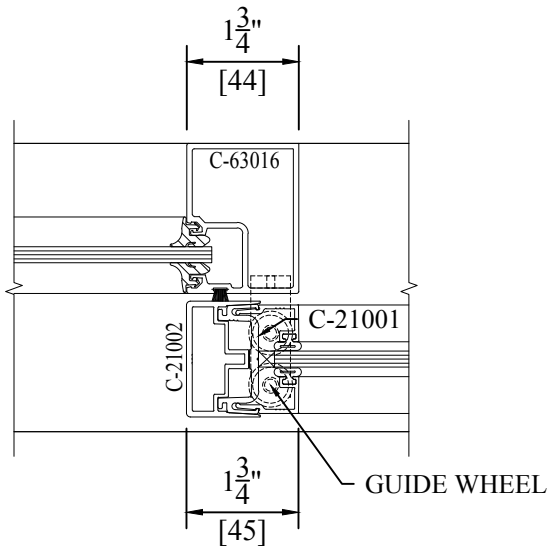
## WELDED COMMERCIAL DOOR & 210 SCREW CHASE DOOR



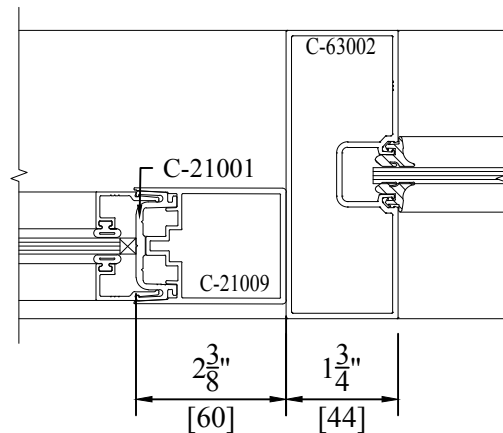
Screw Chase Door

# 630 SERIES

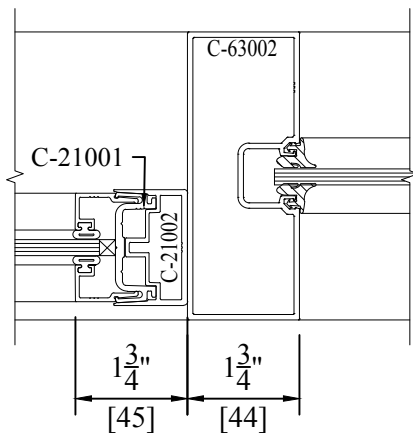
## WELDED COMMERCIAL DOOR & 210 SCREW CHASE DOOR



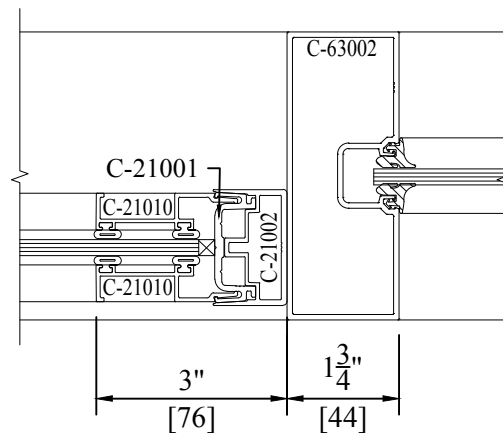
29d



30a LARGE STILE  
COMPATIBLE WITH LOCK  
& HANDLES



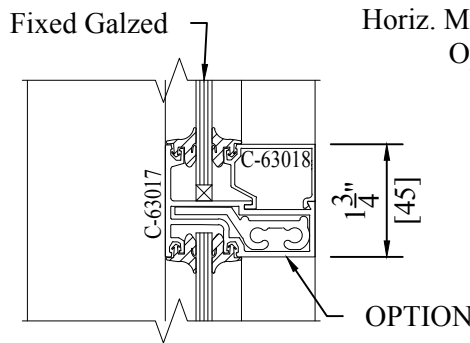
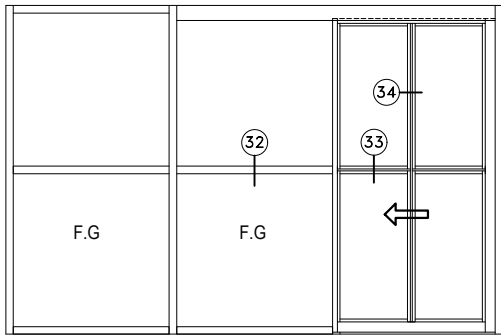
30 SLIM STILE  
NOT COMPATIBLE WITH LOCK  
& HANDLE



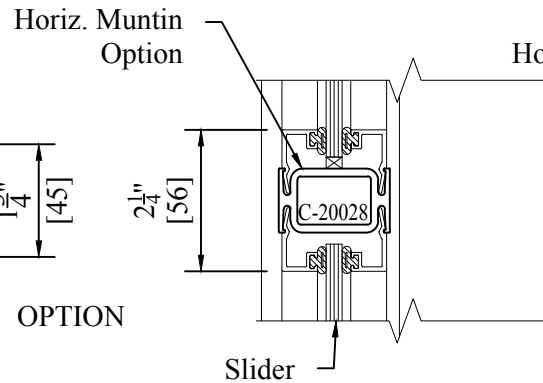
30 OPTIONAL GLASS STOP  
WITH PULL LIP

# 630 SERIES

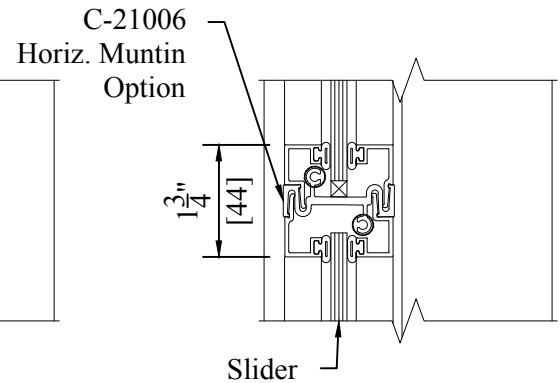
## TYPICAL MUNTIN OPTION DETAILS



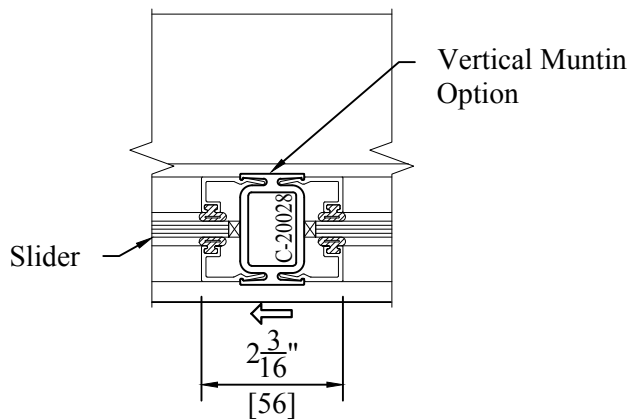
32



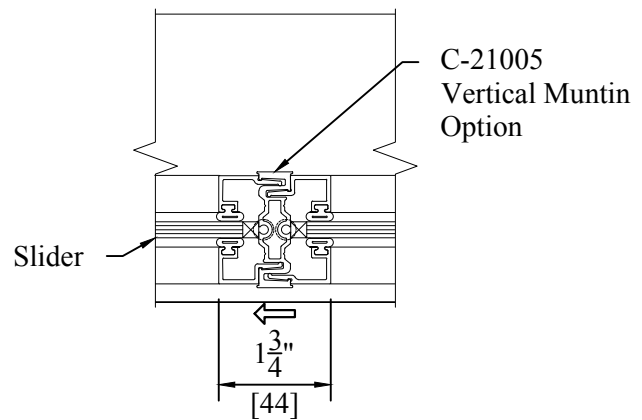
33 Welded Door



33a Screw Chase Door



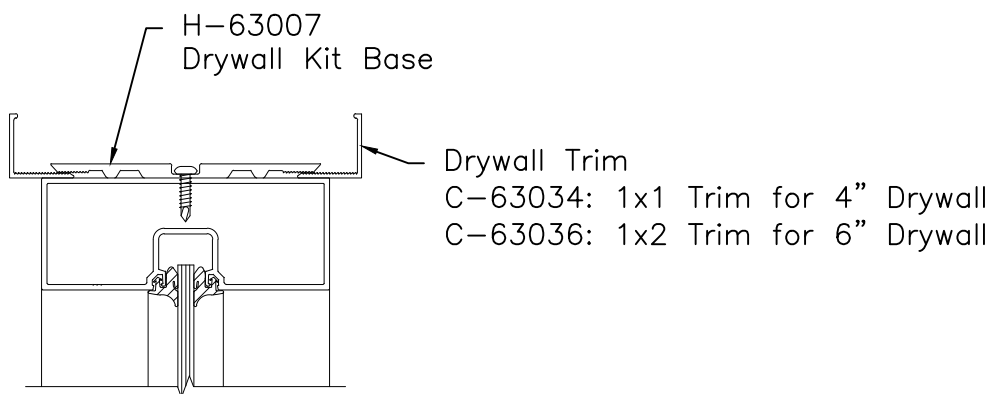
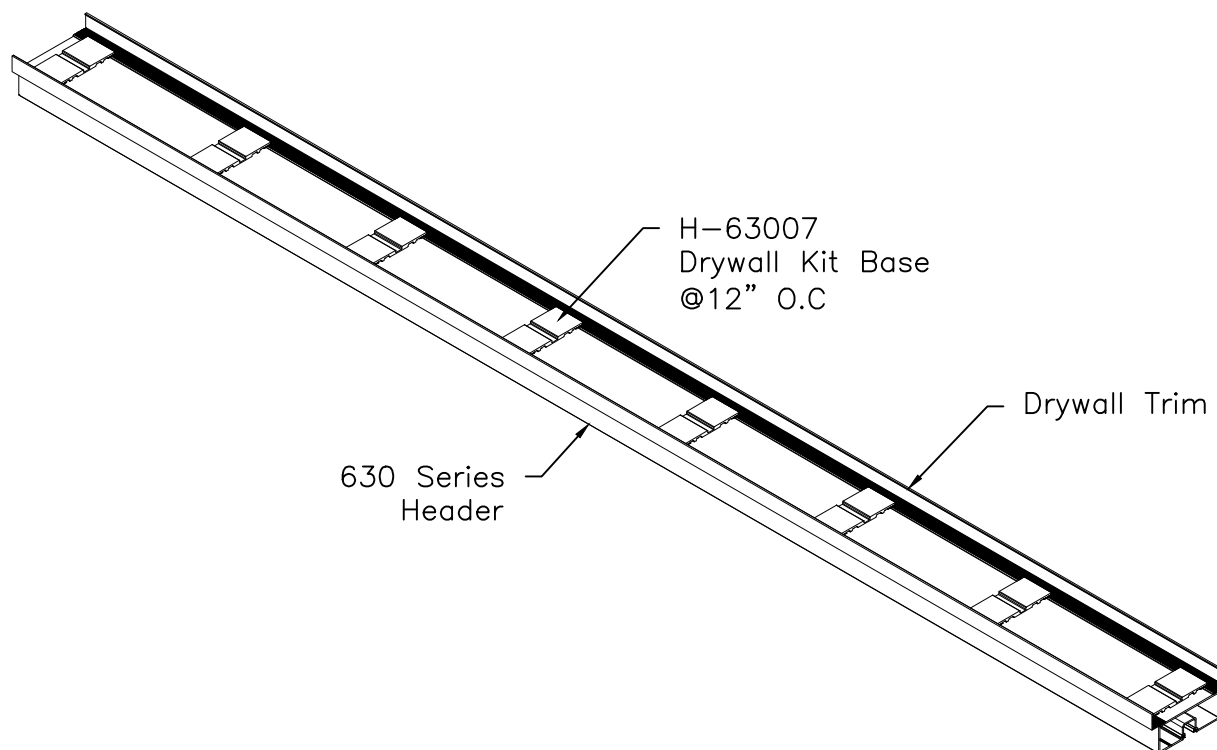
34 Welded Door



34a Screw Chase Door

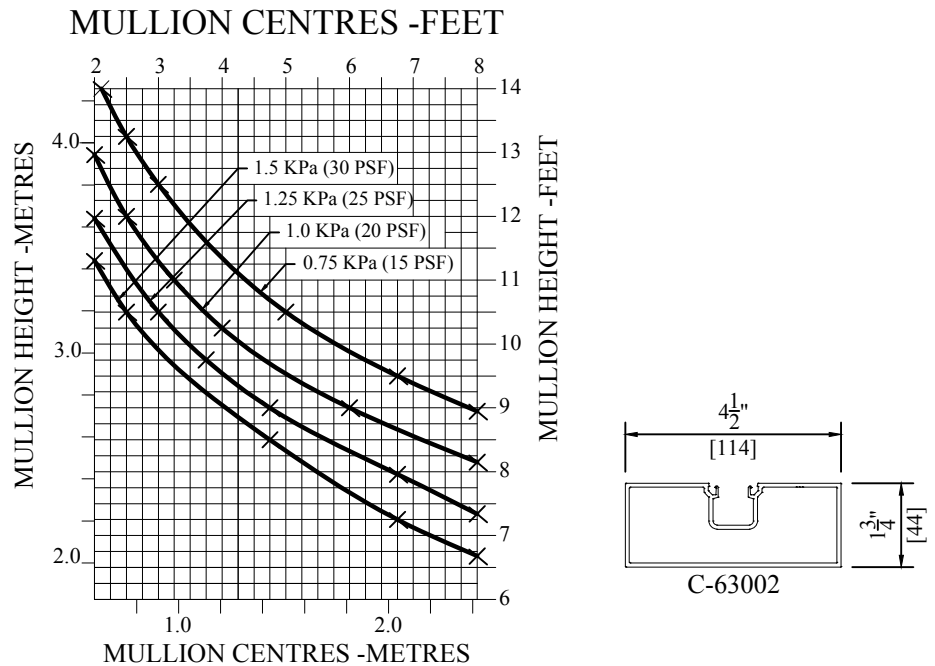
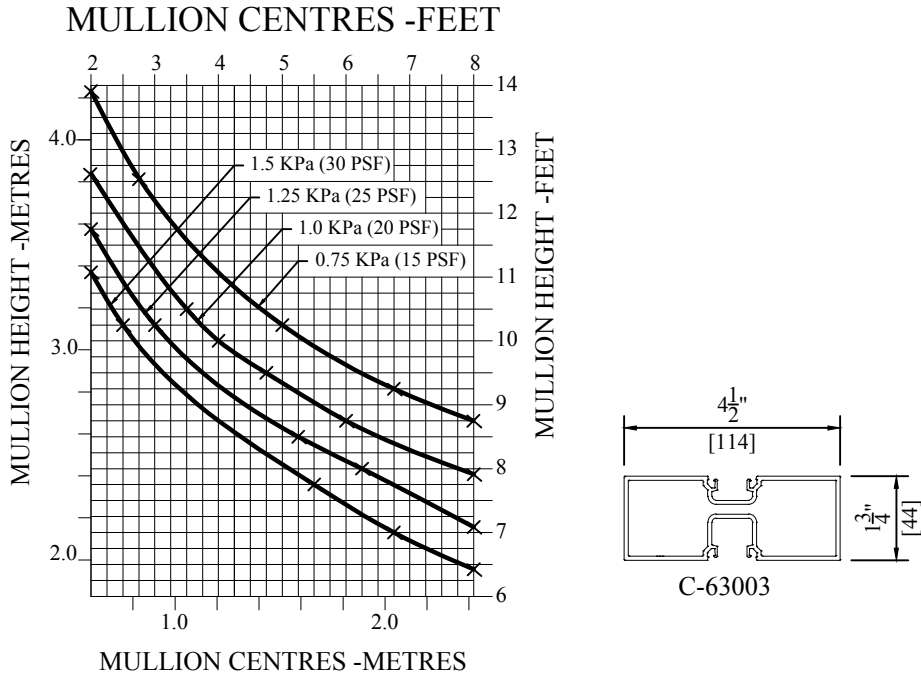
# 630 SERIES

## TYPICAL DRYWALL TRIM DETAILS



# 630 SERIES

## WIND LOAD CHARTS



# 630 SERIES

## PARTS LIST

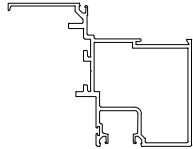
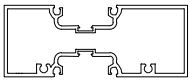

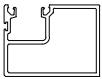
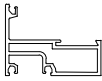
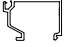

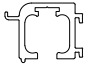


Part Number	Description	Profile
C-63001	1 $\frac{3}{4}$ " x 4 $\frac{1}{2}$ " Open Back Frame	
C-63002	1 $\frac{3}{4}$ " x 4 $\frac{1}{2}$ " Closed Back Frame	
C-63003	1 $\frac{3}{4}$ " x 4 $\frac{1}{2}$ " Double Pocket Mullion	
C63004	1 $\frac{3}{4}$ " x 4 $\frac{1}{2}$ " Horizontal Sill	
C-63005	Square Snap-in Glass Stop	
C-63006	Female Half Corner Mullion	
C-63007	Male Half Corner Mullion	
C-63008	Mullion Filler Adaptor for Open Back Frame	
C-63012	S630 4 $\frac{1}{2}$ " Sill	

# 630 SERIES

## PARTS LIST

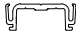
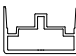
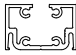
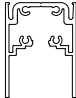

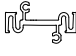




Part Number	Description	Profile
C-63013	630 Sliding Door Header	
C-63014	630 Sliding Door Mullion for Offset Glazing	
C-63015	630 Sliding Door Head Track Cover	
C-63016	630 Sliding Door Center Mullion	
C-63017	630 Sliding Door Fixed Panel Sill /Horizontal	
C-63018	630 Sliding Door Glass Stop	
C-63019	630 Sliding Door Offset Glazing Adaptor	
C-63020	630 Sliding Door Track	

# 630 SERIES

## PARTS LIST

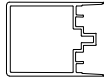



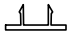




Part Number	Description	Profile
C-21001	Inner Stile A	
C-21002	Outer Stile A	
C-21003	Top Rail (Screw Chase Door)	
C-21004	Bottom Rail (Screw Chase Door)	
C-21005	Vertical Muntin	
C-21006	Horizontal Muntin	
C-21007	Glass Stop (Shallow)	
C-21008	Glass Stop (Deep)	

# 630 SERIES

## PARTS LIST

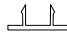
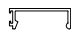






Part Number	Description	Profile
C-21009	Outer Stile B	
C-21010	Integrated Finger Pull	
C-63009	Blade Door Stop	
C-63010	Flush Surface Pocket Filler	
C-70007	Pocket Filler for Screw Chase BTM Rail (C-21004)	
C-20019	3/8" Glass Stop	
C-20026	6mm Glass Stop	

# 630 SERIES

## PARTS LIST










Part Number	Description	Profile
-	Bottom Rail Pocket Filler (210 Screw Chase Door)	
C-65006	1/2" Door Stop Cap	
C-65007	5/8" Door Stop Cap	
C-45010	Door Stop Base	
H-63001/ C-63033	Sill Shear Block	
H-63002/ C-63032	Mullion Shear Block	

# 630 SERIES

## PARTS LIST









Part Number	Description	Profile
C-65032	Shear Block	
C-65033	Shear Block	
C-63003	Shear Block	
C-63009	Shear Block	
C-63034	1"x1" Trim for 2"x4" Wall	
C-63036	1"x2" Trim for 2"x6" Wall	
H-63007 C-63035 (Stock Length)	Base for Trim Kit	

# 630 SERIES

## PARTS LIST



Part Number	Description	Profile
C-40015	Saddle Stop for $\frac{1}{4}$ " & 1" Units	
C-40016	Saddle Stop Base for Single Glass ( $\frac{1}{4}$ "	
R-65002-R	Glazing Spline for $\frac{1}{4}$ " Glass	
R-65004	Glazing Spline for $\frac{3}{8}$ " Glass	
R-65005	Glazing Spline for $\frac{1}{2}$ " Glass	
R-60188	Bulb Gasket	

# 630 SERIES

